

**PLEASE CHECK WWW.MOLEX.COM FOR LATEST PART INFORMATION**

**Part Number:** [0192070005](#)  
**Status:** **Active**  
**Description:** NylaKrimp™ Parallel Splice for 10-12 AWG Wire

**Documents:**

[Drawing \(PDF\)](#) [RoHS Certificate of Compliance \(PDF\)](#)

**Agency Certification**

CSA LR18689  
 UL E32244

**General**

Product Family Splices  
 Series [19207](#)  
 Crimp Quality Equipment Yes  
 Mil-Spec N/A  
 Product Name NylaKrimp™, Parallel

**Physical**

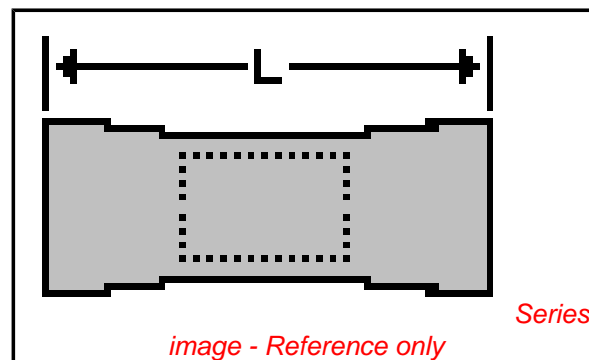
Barrel Type Closed - Brazed  
 Flammability 94V-0  
 Insulation Nylon (PA)  
 Packaging Type Bag  
 Wire Insulation Diameter 5.30mm (.209") max.  
 Wire Size AWG 10, 12

**Material Info**

Old Part Number CS-N-303

**Reference - Drawing Numbers**

Sales Drawing CSN303CD



**EU RoHS**

**ELV and RoHS Compliant**

**REACH SVHC**

Not Reviewed

**Halogen-Free**

**Status**

**Not Reviewed**

**China RoHS**



**Need more information on product environmental compliance?**

Email [productcompliance@molex.com](mailto:productcompliance@molex.com)  
 For a multiple part number RoHS Certificate of Compliance, [click here](#)

Please visit the [Contact Us](#) section for any non-product compliance questions.

**Search Parts in this Series**

[19207Series](#)

**Application Tooling | FAQ**

*Tooling specifications and manuals are found by selecting the products below. Crimp Height Specifications are then contained in the Application Tooling Specification document.*

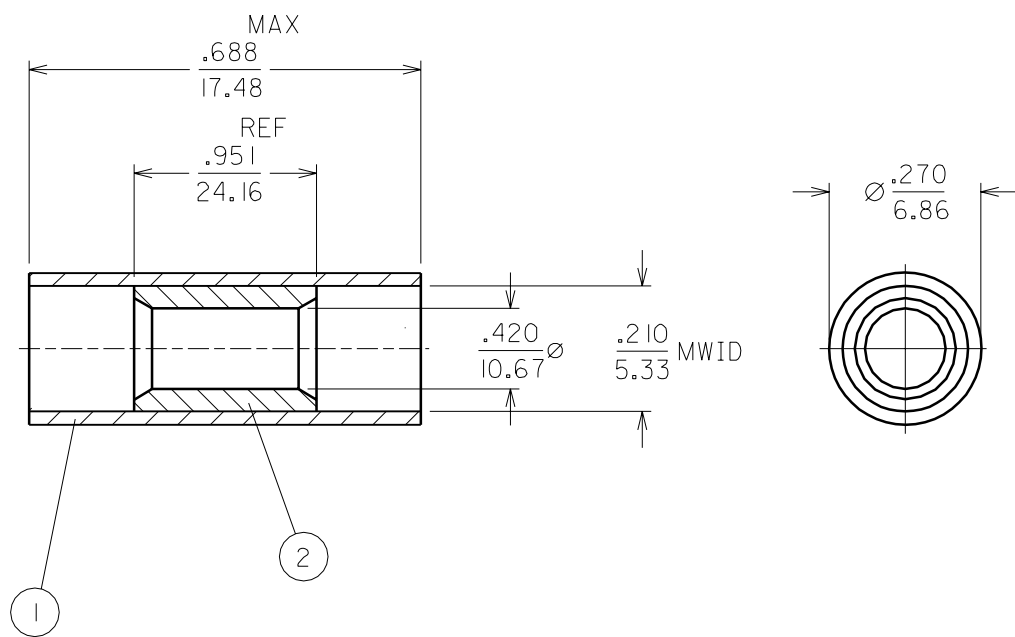
**Global**

Description	Product #
Hand Crimp Tool	<a href="#">0640010100</a>
Hand Crimp Tool	<a href="#">0640010300</a>
Hand Crimp Tool	<a href="#">0640015000</a>
Crimp Head for the AT-200™ Pneumatic Hand Tool	<a href="#">0640050100</a>
Crimp Head for the AT-200™ Pneumatic Hand Tool	<a href="#">0640050300</a>
Crimp Head for the AT-200™ Pneumatic Hand Tool	<a href="#">0640055000</a>

This document was generated on 03/16/2010

**PLEASE CHECK [WWW.MOLEX.COM](http://WWW.MOLEX.COM) FOR LATEST PART INFORMATION**

DRWG. NO.



MWID=MAXIUM WIRE INSULATION DIAMETER

NOTES:

- 1. COLOR CODED INSULATION, YELLOW, NYLON
- 2. BUTT SPLICE TIN PLATED COPPER

WIRE SIZE = 12-10 AWG  
2.6-6.6 MM<sup>2</sup>

REVISE ONLY ON CAD SYSTEM

TITLE  
 NYLAKRIMP  
 PARALLEL SPLICE  
 12-10 AWG

DRWG. BY RCM  
 CHK'D. BY JM  
 APP'D. BY FP  
 SCALE NONE

**molex ETC INC.**  
 PINELLAS PARK, FLA. 34665 U.S.A.  
 PART NO. CS-N-303  
 FILE NAME CSN303CD

SHEET NO.  
 DATE 07/08/93  
 DRWG. NO.  
 THIS DRAWING CONTAINS INFORMATION THAT IS PROPRIETARY TO MOLEX-ETC INC. AND SHOULD NOT BE USED WITHOUT WRITTEN PERMISSION.  
 DIV.  
 SIZE A