



RabbitCore RCM3200

C-Programmable Module with Ethernet

User's Manual

019-0118 • 031205-F

RabbitCore RCM3200 User's Manual

Part Number 019-0118 • 031205-F • Printed in U.S.A.

©2002–2003 Z-World Inc. • All rights reserved.

Z-World reserves the right to make changes and improvements to its products without providing notice.

Trademarks

Rabbit and Rabbit 3000 are registered trademarks of Rabbit Semiconductor.

RabbitCore is a trademark of Rabbit Semiconductor.

Dynamic C is a registered trademark of Z-World Inc.

Z-World, Inc.

2900 Spafford Street
Davis, California 95616-6800
USA

Telephone: (530) 757-3737
Fax: (530) 757-3792

www.zworld.com

Rabbit Semiconductor

2932 Spafford Street
Davis, California 95616-6800
USA

Telephone: (530) 757-8400
Fax: (530) 757-8402

www.rabbitsemiconductor.com

TABLE OF CONTENTS

Chapter 1. Introduction	1
1.1 RCM3200 Features	1
1.2 Advantages of the RCM3200	2
1.3 Development and Evaluation Tools.....	2
1.4 How to Use This Manual	3
1.4.1 Additional Product Information	3
1.4.2 Online Documentation	3
Chapter 2. Hardware Reference	5
2.1 RCM3200 Digital Inputs and Outputs	6
2.1.1 Memory I/O Interface	11
2.1.2 Other Inputs and Outputs	11
2.2 Serial Communication	12
2.2.1 Serial Ports	12
2.2.2 Ethernet Port	12
2.2.3 Programming Port	13
2.2.3.1 Alternate Uses of the Programming Port	13
2.3 Programming Cable	14
2.3.1 Changing from Program Mode to Run Mode	14
2.3.2 Changing from Run Mode to Program Mode	14
2.4 Other Hardware.....	15
2.4.1 Clock Doubler	15
2.4.2 Spectrum Spreader	15
2.5 Memory.....	16
2.5.1 SRAM	16
2.5.2 Flash EPROM	16
2.5.3 Dynamic C BIOS Source Files	16
Chapter 3. Software Reference	17
3.1 More About Dynamic C	17
3.2 Dynamic C Functions	18
3.2.1 Board Initialization	18
3.2.2 Digital I/O	19
3.2.3 Serial Communication Drivers.....	19
3.2.4 TCP/IP Drivers.....	19
3.3 Sample Programs	20
3.4 Upgrading Dynamic C	21
3.4.1 Add-On Modules.....	21
Appendix A. RCM3200 Specifications	23
A.1 Electrical and Mechanical Characteristics	24
A.1.1 Headers.....	27
A.1.2 Physical Mounting	27
A.2 Bus Loading	28
A.3 Rabbit 3000 DC Characteristics.....	31
A.4 I/O Buffer Sourcing and Sinking Limit	32
A.5 Conformal Coating.....	33
A.6 Jumper Configurations.....	34

Appendix B. Prototyping Board	35
B.1 Mechanical Dimensions and Layout	36
B.2 Power Supply.....	37
B.3 Using the Prototyping Board	38
B.3.1 Adding Other Components	39
B.3.2 Measuring Current Draw	39
B.3.3 Other Prototyping Board Modules and Options	39
Appendix C. LCD/Keypad Module	41
C.1 Specifications.....	41
C.2 Contrast Adjustments for All Boards	43
C.3 Keypad Labeling.....	44
C.4 Header Pinouts.....	45
C.4.1 I/O Address Assignments	45
C.5 Mounting LCD/Keypad Module on the Prototyping Board	46
C.6 Bezel-Mount Installation	47
C.6.1 Connect the LCD/Keypad Module to Your Prototyping Board	49
C.7 LCD/Keypad Module Function APIs	50
C.7.1 LEDs	50
C.7.2 LCD Display	51
C.7.3 Keypad	67
C.8 Sample Programs	70
Appendix D. Power Supply	71
D.1 Power Supplies	71
D.1.1 Battery-Backup Circuits	71
D.1.2 Reset Generator	72
D.2 Optional +5 V Output.....	72
Appendix E. Programming Cable	73
Appendix F. Motor Control Option	77
F.1 Overview	77
F.2 Header J6.....	78
F.3 Using Parallel Port F	79
F.3.1 Parallel Port F Registers	79
F.4 PWM Outputs	82
F.5 PWM Registers	83
F.6 Quadrature Decoder	84
Notice to Users	87
Index	89
Schematics	91

1. INTRODUCTION

The RCM3200 RabbitCore module is designed to be the heart of embedded control systems. The RCM3200 features an integrated 10/100Base-T Ethernet port and provides for LAN and Internet-enabled systems to be built as easily as serial-communication systems.

The RCM3200 has a Rabbit 3000[®] microprocessor operating at 44.2 MHz, data and program execution SRAM, flash memory, two clocks (main oscillator and timekeeping), and the circuitry necessary for reset and management of battery backup of the Rabbit 3000's internal real-time clock and the data SRAM. Two 34-pin headers bring out the Rabbit 3000 I/O bus lines, parallel ports, and serial ports.

The RCM3200 receives its +3.3 V power from the customer-supplied motherboard on which it is mounted. The RabbitCore RCM3200 can interface with all kinds of CMOS-compatible digital devices through the motherboard.

1.1 RCM3200 Features

- Small size: 1.85" × 2.65" × 0.86"
(47 mm × 67 mm × 22 mm)
- Microprocessor: Rabbit 3000 running at 44.2 MHz
- 52 parallel 5 V tolerant I/O lines: 44 configurable for I/O, 4 fixed inputs, 4 fixed outputs
- Two additional digital inputs, two additional digital outputs
- External reset input
- Alternate I/O bus can be configured for 8 data lines and 6 address lines (shared with parallel I/O lines), I/O read/write
- Ten 8-bit timers (six cascadable) and one 10-bit timer with two match registers
- 512K flash memory, 512K program execution SRAM, 256K data SRAM
- Real-time clock
- Watchdog supervisor
- Provision for customer-supplied backup battery via connections on header J2

- 10/100Base-T RJ-45 Ethernet port
- 10-bit free-running PWM counter and four width registers
- Two-channel Input Capture can be used to time input signals from various port pins
- Two-channel Quadrature Decoder accepts inputs from external incremental encoder modules
- Six CMOS-compatible serial ports: maximum asynchronous baud rate of 5.5 Mbps. Four ports are configurable as a clocked serial port (SPI), and two ports are configurable as SDLC/HDLC serial ports.
- Supports 1.15 Mbps IrDA transceiver

Appendix A, “RCM3200 Specifications,” provides detailed specifications for the RCM3200.

1.2 Advantages of the RCM3200

- Fast time to market using a fully engineered, “ready to run” microprocessor core.
- Competitive pricing when compared with the alternative of purchasing and assembling individual components.
- Easy C-language program development and debugging
- Program Download Utility and cloning board options for rapid production loading of programs.
- Generous memory size allows large programs with tens of thousands of lines of code, and substantial data storage.
- Integrated Ethernet port for network connectivity, royalty-free TCP/IP software.

1.3 Development and Evaluation Tools

A complete Development Kit, including a Prototyping Board and Dynamic C development software, is available for the RCM3200. The Development Kit puts together the essentials you need to design an embedded microprocessor-based system rapidly and efficiently.

See the *RabbitCore RCM3200 Getting Started Manual* for complete information on the Development Kit.

1.4 How to Use This Manual

This user's manual is intended to give users detailed information on the RCM3200 module. It does not contain detailed information on the Dynamic C development environment or the TCP/IP software support for the integrated Ethernet port. Most users will want more detailed information on some or all of these topics in order to put the RCM3200 module to effective use.

1.4.1 Additional Product Information

Introductory information about the RCM3200 and its associated Development Kit and Prototyping Board will be found in the printed *RabbitCore RCM3200 Getting Started Manual*, which is also provided on the accompanying CD-ROM in both HTML and Adobe PDF format.

We recommend that any users unfamiliar with Z-World products, or those who will be using the Prototyping Board for initial evaluation and development, begin with at least a read-through of the *Getting Started* manual.

In addition to the product-specific information contained in the *RabbitCore RCM3200 Getting Started Manual* and the *RabbitCore RCM3200 User's Manual* (this manual), several higher level reference manuals are provided in HTML and PDF form on the accompanying CD-ROM. Advanced users will find these references valuable in developing systems based on the RCM3200 modules:

- *Dynamic C User's Manual*
- *Dynamic C Function Reference Manual*
- *An Introduction to TCP/IP*
- *Dynamic C TCP/IP User's Manual*
- *Rabbit 3000 Microprocessor User's Manual*

1.4.2 Online Documentation

The online documentation is installed along with Dynamic C, and an icon for the documentation menu is placed on the workstation's desktop. Double-click this icon to reach the menu. If the icon is missing, use your browser to find and load **default.htm** in the **docs** folder, found in the Dynamic C installation folder.

The latest versions of all documents are always available for free, unregistered download from our Web sites as well.

2. HARDWARE REFERENCE

Chapter 2 describes the hardware components and principal hardware subsystems of the RCM3200. Appendix A, “RCM3200 Specifications,” provides complete physical and electrical specifications.

Figure 1 shows these Rabbit-based subsystems designed into the RCM3200.

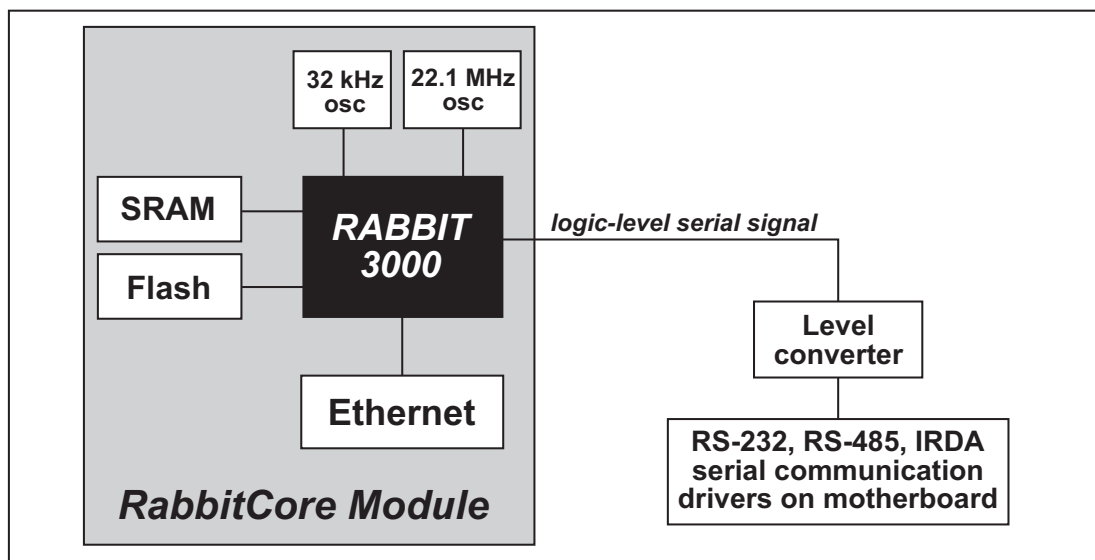


Figure 1. RCM3200 Subsystems

2.1 RCM3200 Digital Inputs and Outputs

The RCM3200 has 52 parallel I/O lines grouped in seven 8-bit ports available on headers J1 and J2. The 44 bidirectional I/O lines are located on pins PA0–PA7, PB0, PB2–PB7, PD2–PD7, PE0–PE1, PE3–PE7, PF0–PF7, and PG0–PG7.

Figure 2 shows the RCM3200 pinouts for headers J1 and J2.

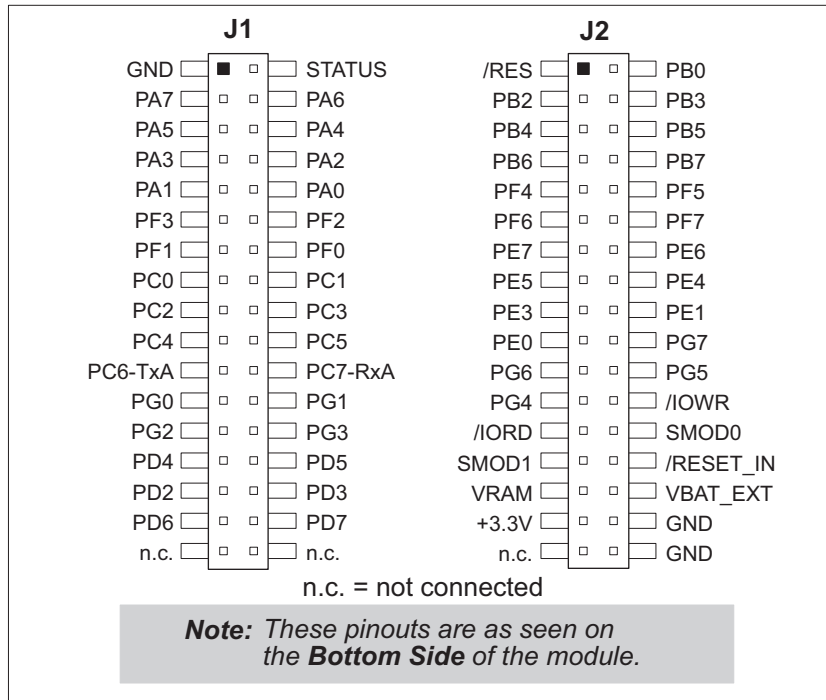


Figure 2. RCM3200 Pinouts

The pinouts for the RCM3000, RCM3100, and RCM3200 are compatible. Visit the [Web site](#) for further information.

Headers J1 and J2 are standard 2×34 headers with a nominal 2 mm pitch. An RJ-45 Ethernet jack is also included with the RCM3200 series.

The signals labeled PD2, PD3, PD6, and PD7 on header J1 (pins 29–32) and the pins that are not connected (pins 33–34 on header J1 and pin 33 on header J2) are reserved for future use.

Figure 3 shows the use of the Rabbit 3000 microprocessor ports in the RCM3200 modules.

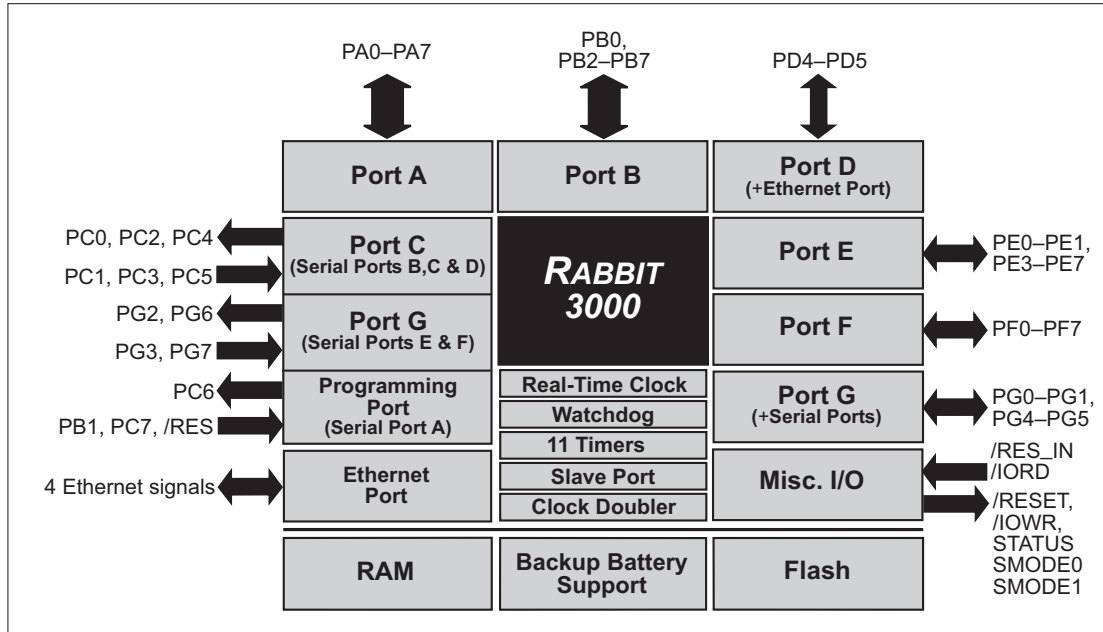


Figure 3. Use of Rabbit 3000 Ports

The ports on the Rabbit 3000 microprocessor used in the RCM3200 are configurable, and so the factory defaults can be reconfigured. Table 1 lists the Rabbit 3000 factory defaults and the alternate configurations.

Table 1. RCM3200 Pinout Configurations

Pin	Pin Name	Default Use	Alternate Use	Notes	
Header J1	1	GND			
	2	STATUS	Output (Status)	Output	
	3–10	PA[7:0]	Parallel I/O	External data bus (ID0–ID7) Slave port data bus (SD0–SD7)	
	11	PF3	Input/Output	QD2A	
	12	PF2	Input/Output	QD2B	
	13	PF1	Input/Output	QD1A CLKC	
	14	PF0	Input/Output	QD1B CLKD	
	15	PC0	Output	TXD	Serial Port D
	16	PC1	Input	RXD	
	17	PC2	Output	TXC	Serial Port C
	18	PC3	Input	RXC	
	19	PC4	Output	TXB	Serial Port B
	20	PC5	Input	RXB	
	21	PC6	Output	TXA	Serial Port A (programming port)
	22	PC7	Input	RXA	
	23	PG0	Input/Output	TCLKF	Serial Clock F output
	24	PG1	Input/Output	RCLKF	Serial Clock F input
	25	PG2	Input/Output	TXF	Serial Port F
	26	PG3	Input/Output	RXF	
	27	PD4	Input/Output	ATXB	
	28	PD5	Input/Output	ARXB	
	29	PD2	Input/Output	TPOUT– *	Ethernet transmit port
	30	PD3	Input/Output	TPOUT+ *	
	31	PD6	Input/Output	TPIN– *	Ethernet receive port
	32	PD7	Input/Output	TPIN+ *	
	33	LNK_OUT	Output		Max. current draw 1 mA (see Note 1)
	34	ACT_OUT	Output		

* Pins 29–32 are reserved for future use.

Table 1. RCM3200 Pinout Configurations (continued)

Pin	Pin Name	Default Use	Alternate Use	Notes	
Header J2	1	/RES	Reset output	Reset input	Reset output from Reset Generator
	2	PB0	Input/Output	CLKB	
	3	PB2	Input/Output	IA0 /SWR	External Address 0 Slave port write
	4	PB3	Input/Output	IA1 /SRD	External Address 1 Slave port read
	5	PB4	Input/Output	IA2 SA0	External Address 2 Slave port Address 0
	6	PB5	Input/Output	IA3 SA1	External Address 3 Slave port Address 1
	7	PB6	Input/Output	IA4	External Address 4
	8	PB7	Input/Output	IA5 /SLAVEATTN	External Address 5 Slave Attention
	9	PF4	Input/Output	AQD1B PWM0	
	10	PF5	Input/Output	AQD1A PWM1	
	11	PF6	Input/Output	AQD2B PWM2	
	12	PF7	Input/Output	AQD2A PWM3	
	13	PE7	Input/Output	I7 /SCS	
	14	PE6	Input/Output	I6	
	15	PE5	Input/Output	I5 INT1B	
	16	PE4	Input/Output	I4 INT0B	
	17	PE3	Input/Output	I3	
	18	PE1	Input/Output	I1 INT1A	I/O Strobe 1 Interrupt 1A
	19	PE0	Input/Output	I0 INT0A	I/O Strobe 0 Interrupt 0A

Table 1. RCM3200 Pinout Configurations (continued)

Pin	Pin Name	Default Use	Alternate Use	Notes	
Header J2	20	PG7	Input/Output	RXE	Serial Port E
	21	PG6	Input/Output	TXE	
	22	PG5	Input/Output	RCLKE	Serial Clock E input
	23	PG4	Input/Output	TCLKE	Serial Clock E output
	24	/IOWR	Output		External write strobe
	25	/IORD	Input		External read strobe
	26–27	SMODE0, SMODE1	(0,0)—start executing at address zero (0,1)—cold boot from slave port (1,0)—cold boot from clocked Serial Port A SMODE0 =1, SMODE1 = 1 Cold boot from asynchronous Serial Port A at 2400 bps (programming cable connected)		Also connected to programming cable
	28	/RESET_IN	Input		Input to Reset Generator
	29	VRAM	Output		See Notes below table
	30	VBAT_EXT	3 V battery Input		Minimum battery voltage 2.85 V
	31	+3.3V	Input		3.15–3.45 V DC
	32	GND			
	33	n.c.			Reserved for future use
	34	GND			

Notes

1. When using pins 33–34 on header J1 to drive LEDs, you must use an external buffer to drive these external LEDs. These pins are not connected on the RCM3220, which does not have the LEDs installed.
2. The VRAM voltage is temperature-dependent. If the VRAM voltage drops below about 1.2 V to 1.5 V, the contents of the battery-backed SRAM may be lost. If VRAM drops below 1.0 V, the 32 kHz oscillator could stop running. Pay careful attention to this voltage if you draw any current from this pin.

Locations R45, R46, R53, R57, and R74 allow the population of 0 Ω resistors (jumpers) that will be used to enable future options. These locations are currently unused.

2.1.1 Memory I/O Interface

The Rabbit 3000 address lines (A0–A19) and all the data lines (D0–D7) are routed internally to the onboard flash memory and SRAM chips. I/O write (/IOWR) and I/O read (/IORD) are available for interfacing to external devices.

Parallel Port A can also be used as an external I/O data bus to isolate external I/O from the main data bus. Parallel Port B pins PB2–PB7 can also be used as an auxiliary address bus.

When using the auxiliary I/O bus, you must add the following line at the beginning of your program.

```
#define PORTA_AUX_IO    // required to enable auxiliary I/O bus
```

The STATUS output has three different programmable functions:

3. It can be driven low on the first op code fetch cycle.
4. It can be driven low during an interrupt acknowledge cycle.
5. It can also serve as a general-purpose output.

2.1.2 Other Inputs and Outputs

Two status mode pins, SMODE0 and SMODE1, are available as inputs. The logic state of these two pins determines the startup procedure after a reset.

/RESET_IN is an external input used to reset the Rabbit 3000 microprocessor and the RCM3200 memory. /RES is an output from the reset circuitry that can be used to reset other peripheral devices.

2.2 Serial Communication

The RCM3200 board does not have an RS-232 or an RS-485 transceiver directly on the board. However, an RS-232 or RS-485 interface may be incorporated on the board the RCM3200 is mounted on. For example, the Prototyping Board has a standard RS-232 transceiver chip.

2.2.1 Serial Ports

There are six serial ports designated as Serial Ports A, B, C, D, E, and F. All six serial ports can operate in an asynchronous mode up to the baud rate of the system clock divided by 8. An asynchronous port can handle 7 or 8 data bits. A 9th bit address scheme, where an additional bit is sent to mark the first byte of a message, is also supported. Serial Ports A, B, C, and D can also be operated in the clocked serial mode. In this mode, a clock line synchronously clocks the data in or out. Either of the two communicating devices can supply the clock.

Serial Ports E and F can also be configured as SDLC/HDLC serial ports. The IrDA protocol is also supported in SDLC format by these two ports.

2.2.2 Ethernet Port

Figure 4 shows the pinout for the RJ-45 Ethernet port (J4). Note that some Ethernet connectors are numbered in reverse to the order used here.

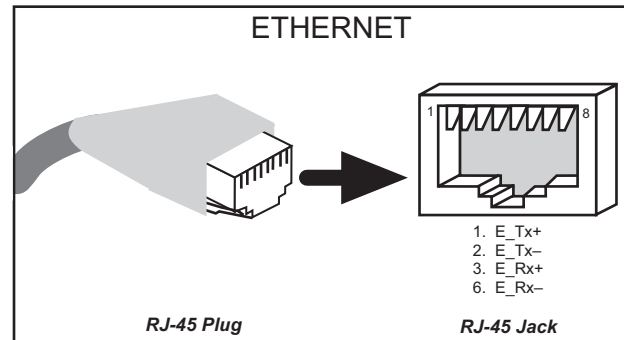


Figure 4. RJ-45 Ethernet Port Pinout

Three LEDs are placed next to the RJ-45 Ethernet jack, one to indicate an Ethernet link (**LNK**), one to indicate Ethernet activity (**ACT**), and one to indicate when the RCM3200 is connected to a functioning 100Base-T network (**SPD**).

The transformer/connector assembly ground is connected to the RCM3200 printed circuit board digital ground via a 0 Ω resistor, R42, as shown in Figure 5.

The RJ-45 connector is shielded to minimize EMI effects to/from the Ethernet signals.

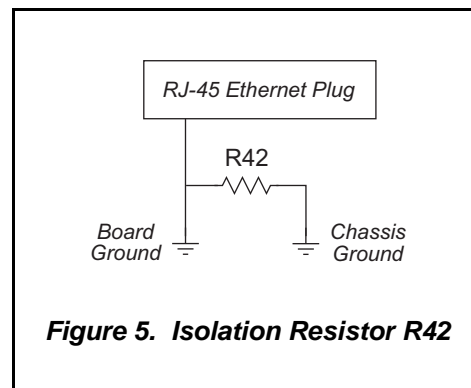


Figure 5. Isolation Resistor R42

2.2.3 Programming Port

Serial Port A has special features that allow it to cold-boot the system after reset. Serial Port A is also the port that is used for software development under Dynamic C.

The RCM3200 has a 10-pin program header labeled J3. The Rabbit 3000 startup-mode pins (SMODE0, SMODE1) are presented to the programming port so that an externally connected device can force the RCM3200 to start up in an external bootstrap mode. The *Rabbit 3000 Microprocessor User's Manual* provides more information related to the bootstrap mode.

The programming port is used to start the RCM3200 in a mode where it will download a program from the port and then execute the program. The programming port transmits information to and from a PC while a program is being debugged in-circuit.

The RCM3200 can be reset from the programming port via the /RESET_IN line.

The Rabbit 3000 status pin is also presented to the programming port. The status pin is an output that can be used to send a general digital signal.

The clock line for Serial Port A is presented to the programming port, which makes synchronous serial communication possible.

Programming may also be initiated through the motherboard to which the RCM3200 series module is plugged in to since the Serial Port A (PC6 and PC7), SMODE0, SMODE1, and /RESET_IN are available on headers J1 and J2 (see Table 1).

2.2.3.1 Alternate Uses of the Programming Port

The programming port may also be used as an application port with the **DIAG** connector on the programming cable.

All three clocked Serial Port A signals are available as

- a synchronous serial port
- an asynchronous serial port, with the clock line usable as a general CMOS input
- two general CMOS inputs and one general CMOS output.

Two startup mode pins, SMODE0 and SMODE1, are available as general CMOS inputs after they are read during the initial boot-up. The logic state of these two pins is very important in determining the startup procedure after a reset.

/RES_IN is an external input used to reset the Rabbit 3000 microprocessor.

The status pin may also be used as a general CMOS output.

See Appendix E, "Programming Cable," for more information.

2.3 Programming Cable

The RCM3200 is automatically in program mode when the **PROG** connector on the programming cable is attached, and is automatically in run mode when no programming cable is attached.

The **DIAG** connector of the programming cable may be used on header J3 of the RCM3200 with the board operating in the run mode. This allows the programming port to be used as an application port. See Appendix E, “Programming Cable,” for more information.

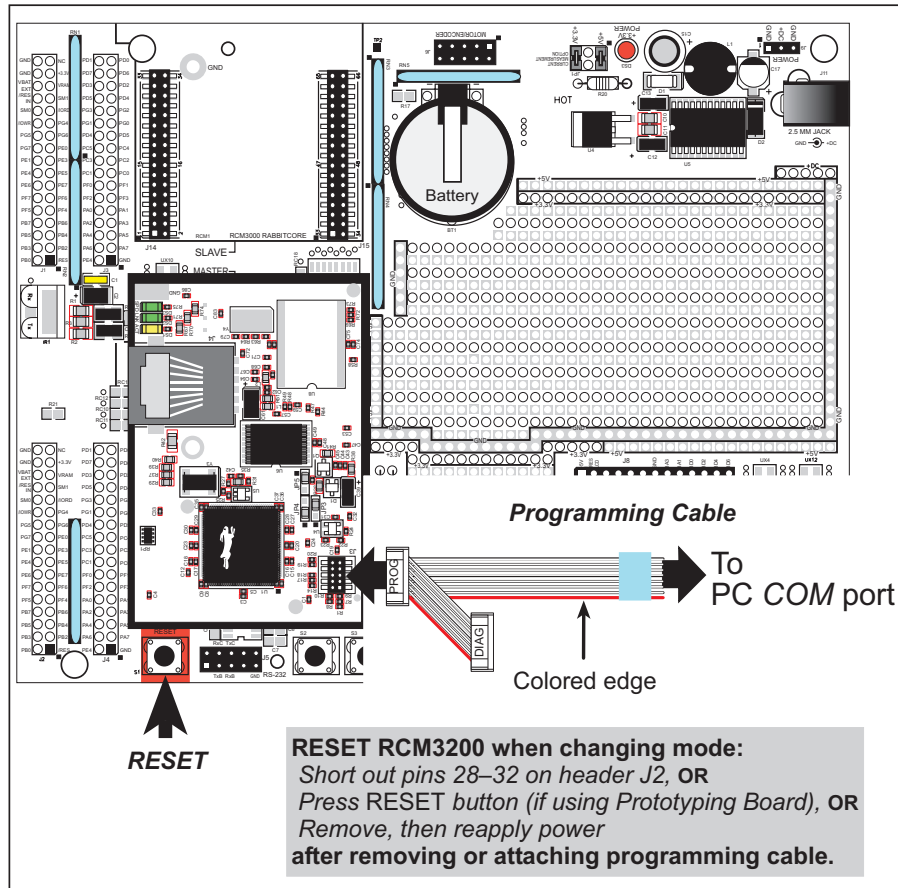


Figure 6. Switching Between Program Mode and Run Mode

2.3.1 Changing from Program Mode to Run Mode

1. Disconnect the programming cable from header J3 of the RCM3200.
2. Reset the RCM3200. You may do this as explained in Figure 6.

The RCM3200 is now ready to operate in the run mode.

2.3.2 Changing from Run Mode to Program Mode

1. Attach the programming cable to header J3 on the RCM3200.
2. Reset the RCM3200. You may do this as explained in Figure 6.

The RCM3200 is now ready to operate in the program mode.

2.4 Other Hardware

2.4.1 Clock Doubler

The RCM3200 takes advantage of the Rabbit 3000 microprocessor's internal clock doubler. A built-in clock doubler allows half-frequency crystals to be used to reduce radiated emissions. The 44.2 MHz frequency specified for the RCM3200 is generated using a 22.12 MHz resonator.

The clock doubler may be disabled if 44.2 MHz clock speeds are not required. Disabling the Rabbit 3000 microprocessor's internal clock doubler will reduce power consumption and further reduce radiated emissions. The clock doubler is disabled with a simple change to the BIOS as described below.

1. Open the BIOS source code file, **RABBITBIOS.C** in the **BIOS** directory.
2. Change the line

```
#define CLOCK_DOUBLED 1 // set to 1 to double clock if
                        // Rabbit 2000: crystal <= 12.9024 MHz,
                        // Rabbit 3000: crystal <= 26.7264 MHz,
                        // or to 0 to always disable clock doubler
```

to read as follows.

```
#define CLOCK_DOUBLED 0
```

3. Save the change using **File > Save**.

2.4.2 Spectrum Spreader

The Rabbit 3000 features a spectrum spreader, which helps to mitigate EMI problems. By default, the spectrum spreader is on automatically, but it may also be turned off or set to a stronger setting. The means for doing so is through a simple change to the following BIOS line in a way that is similar to the clock doubler described above.

```
#define ENABLE_SPREADER 1 // Set to 0 to disable spectrum spreader.
#define SPREADER_SETTING 0 // 0 = normal spreading, 1 = strong spreading
```

NOTE: Refer to the *Rabbit 3000 Microprocessor User's Manual* for more information on the spectrum-spreading setting and the maximum clock speed.

2.5 Memory

2.5.1 SRAM

The RCM3200 has 512K of program execution SRAM installed at U8 and packaged in a 32-pin TSOP or sTSOP case. The data SRAM installed at U6 is 256K.

2.5.2 Flash EPROM

The RCM3200 is also designed to accept 256K to 512K of flash EPROM packaged in a 32-pin TSOP or sTSOP case. The flash EPROM installed at U7 is 512K

NOTE: Z-World recommends that any customer applications should not be constrained by the sector size of the flash EPROM since it may be necessary to change the sector size in the future.

Writing to arbitrary flash memory addresses at run time is also discouraged. Instead, define a “user block” area to store persistent data. The functions **writeUserBlock** and **readUserBlock** are provided for this.

A Flash Memory Bank Select jumper configuration option based on 0 Ω surface-mounted resistors exists at header JP4 on the RCM3200 RabbitCore modules. This option, used in conjunction with some configuration macros, allows Dynamic C to compile two different co-resident programs for the upper and lower halves of the 512K flash in such a way that both programs start at logical address 0000. This is useful for applications that require a resident download manager and a separate downloaded program. See Technical Note TN218, *Implementing a Serial Download Manager for a 256K Flash*, for details.

2.5.3 Dynamic C BIOS Source Files

The Dynamic C BIOS source files handle different standard RAM and flash EPROM sizes automatically.

3. SOFTWARE REFERENCE

Dynamic C is an integrated development system for writing embedded software. It runs on an IBM-compatible PC and is designed for use with Z-World controllers and other controllers based on the Rabbit microprocessor. Chapter 3 provides the libraries, function calls, and sample programs related to the RCM3200.

3.1 More About Dynamic C

Dynamic C has been in use worldwide since 1989. It is specially designed for programming embedded systems, and features quick compile and interactive debugging in the real environment. A complete reference guide to Dynamic C is contained in the *Dynamic C User's Manual*.

You have a choice of doing your software development in the flash memory or in the data SRAM included on the RCM3200. The advantage of working in RAM is to save wear on the flash memory, which is limited to about 100,000 write cycles. The disadvantage is that the code and data might not both fit in RAM.

NOTE: An application can be developed in the data SRAM, but should be run from the program execution SRAM after the programming cable is disconnected. To run the application in the fast program execution SRAM, select **Code and BIOS in Flash, Run in RAM** from the Dynamic C **Options > Compiler** menu.

NOTE: Do not depend on the flash memory sector size or type. Due to the volatility of the flash memory market, the RCM3200 and Dynamic C were designed to accommodate flash devices with various sector sizes.

The disadvantage of using flash memory for debug is that interrupts must be disabled for approximately 5 ms whenever a break point is set in the program. This can crash fast interrupt routines that are running while you stop at a break point or single-step the program. The flash memory and SRAM options are selected with the **Options > Compiler** menu.

Dynamic C provides a number of debugging features. You can single-step your program, either in C, statement by statement, or in assembly language, instruction by instruction. You can set break points, where the program will stop, on any statement. You can evaluate watch expressions. A watch expression is any C expression that can be evaluated in the context of the program. If the program is at a break point, a watch expression can view any expression using local or global variables. If a periodic call to `runwatch()` is included in your program, you will be able to evaluate watch expressions by hitting **<Ctrl-U>** without stopping the program.

3.2 Dynamic C Functions

The functions described in this section are for use with the Prototyping Board features. The source code is in the `RCM32xx.LIB` library in the Dynamic C `SAMPLES\RCM3200` folder if you need to modify it for your own board design.

Other generic functions applicable to all devices based on Rabbit microprocessors are described in the *Dynamic C Function Reference Manual*.

3.2.1 Board Initialization

```
void brdInit (void);
```

Call this function at the beginning of your program. This function initializes Parallel Ports A through G for use with the RCM3200 Prototyping Board.

Summary of Initialization

1. I/O port pins are configured for Prototyping Board operation.
2. Unused configurable I/O are set as high outputs.
3. Only one RabbitCore module is plugged in, and is in the **MASTER** position on the Prototyping Board.
3. The LCD/keypad module is disabled.
4. RS-485 is not enabled.
5. RS-232 is not enabled.
6. The IrDA transceiver is disabled.
7. LEDs are off.

RETURN VALUE

None.

3.2.2 Digital I/O

The RCM3200 was designed to interface with other systems, and so there are no drivers written specifically for the I/O. The general Dynamic C read and write functions allow you to customize the parallel I/O to meet your specific needs. For example, use

```
WrPortI(PEDDR, &PEDDRShadow, 0x00);
```

to set all the Port E bits as inputs, or use

```
WrPortI(PEDDR, &PEDDRShadow, 0xFF);
```

to set all the Port E bits as outputs.

When using the auxiliary I/O bus on the Rabbit 3000 chip, add the line

```
#define PORTA_AUX_IO // required to enable auxiliary I/O bus
```

to the beginning of any programs using the auxiliary I/O bus.

The sample programs in the Dynamic C **SAMPLES/RCM3200** directory provide further examples.

3.2.3 Serial Communication Drivers

Library files included with Dynamic C provide a full range of serial communications support. The **RS232.LIB** library provides a set of circular-buffer-based serial functions. The **PACKET.LIB** library provides packet-based serial functions where packets can be delimited by the 9th bit, by transmission gaps, or with user-defined special characters. Both libraries provide blocking functions, which do not return until they are finished transmitting or receiving, and nonblocking functions, which must be called repeatedly until they are finished. For more information, see the *Dynamic C Function Reference Manual* and Technical Note 213, *Rabbit 2000 Serial Port Software*.

3.2.4 TCP/IP Drivers

The TCP/IP drivers are located in the **TCPIP** directory.

Complete information on these libraries and the TCP/IP functions is provided in the *Dynamic C TCP/IP User's Manual*.

3.3 Sample Programs

Sample programs are provided in the Dynamic C **Samples** folder.

Two subdirectories contain sample programs that illustrate features unique to the RCM3200.

- **RCM3200**—Demonstrates the basic operation and the Ethernet functionality of the RCM3200.
- **TCPIP**—Demonstrates more advanced TCP/IP programming for Z-World's Ethernet-enabled Rabbit-based boards.

Follow the instructions included with the sample program to connect the RCM3200 and the other hardware identified in the instructions.

Before running any Dynamic C applications, you will need to allow the compiler to run the application in the fast program execution SRAM by selecting **Code and BIOS in Flash, Run in RAM** from the Compiler tab in the Dynamic C **Options > Project Options** menu.

To run a sample program, open it with the **File** menu (if it is not still open), compile it using the **Compile** menu (or press **F5**), and then run it by selecting **Run** in the **Run** menu (or press **F9**). The RCM3200 must be in Program Mode (see Figure 6) and must be connected to a PC using the programming cable.

More complete information on Dynamic C is provided in the *Dynamic C User's Manual*.

3.4 Upgrading Dynamic C

Dynamic C patches that focus on bug fixes are available from time to time. Check the Web sites

- www.zworld.com/support/

or

- www.rabbitsemiconductor.com/support/

for the latest patches, workarounds, and bug fixes.

3.4.1 Add-On Modules

Dynamic C installations are designed for use with the board they are included with, and are included at no charge as part of our low-cost kits. Z-World offers add-on Dynamic C modules for purchase, including the popular μ C/OS-II real-time operating system, as well as PPP, Advanced Encryption Standard (AES), and other select libraries.

In addition to the Web-based technical support included at no extra charge, a one-year telephone-based technical support module is also available for purchase.



APPENDIX A. RCM3200 SPECIFICATIONS

Appendix A provides the specifications for the RCM3200, and describes the conformal coating.

A.1 Electrical and Mechanical Characteristics

Figure A-1 shows the mechanical dimensions for the RCM3200.

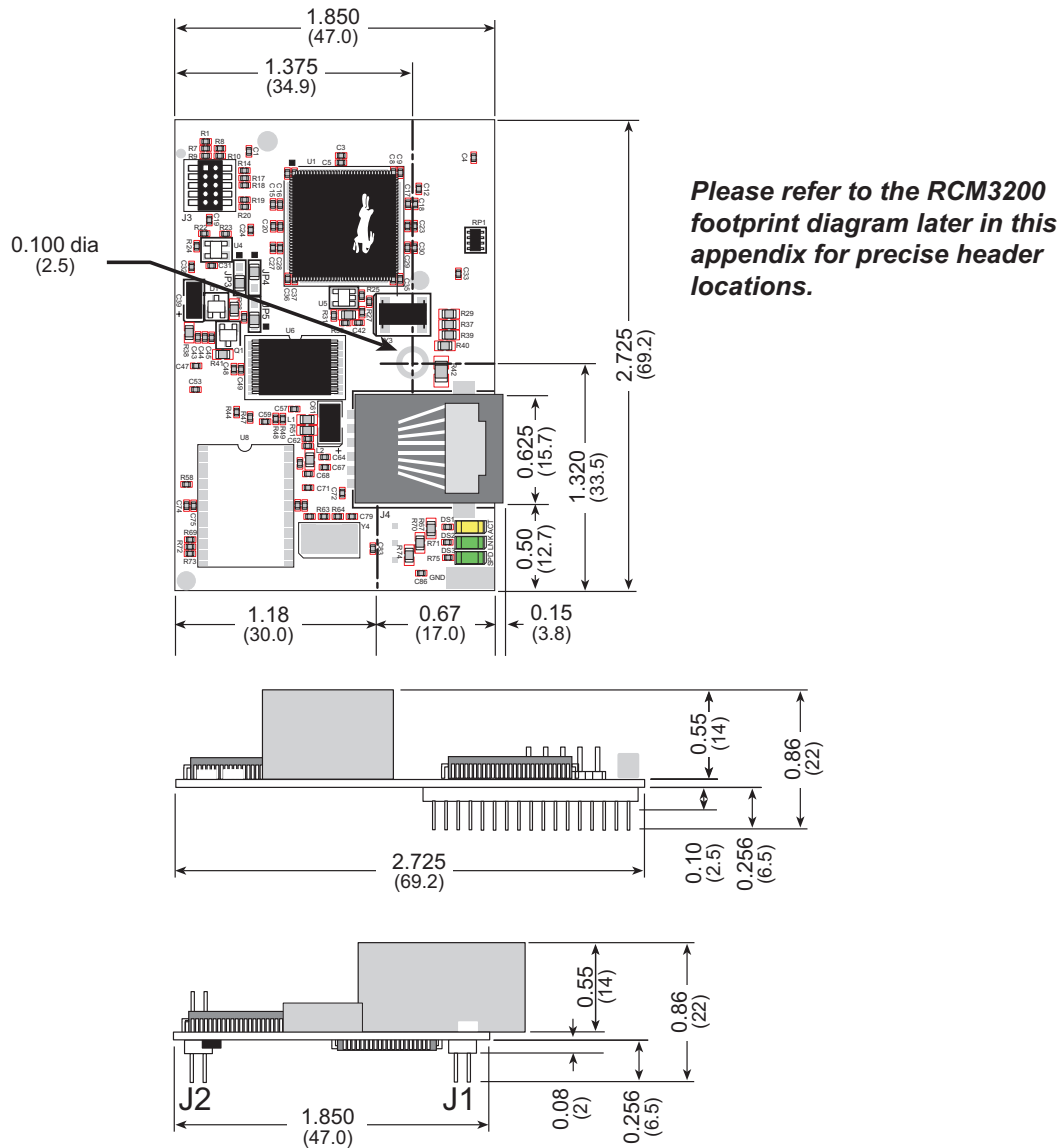


Figure A-1. RCM3200 Dimensions

It is recommended that you allow for an “exclusion zone” of 0.04" (1 mm) around the RCM3200 in all directions (except above the RJ-45 plug) when the RCM3200 is incorporated into an assembly that includes other printed circuit boards. This “exclusion zone” that you keep free of other components and boards will allow for sufficient air flow, and will help to minimize any electrical or electromagnetic interference between adjacent boards. An “exclusion zone” of 0.08" (2 mm) is recommended below the RCM3200 when the RCM3200 is plugged into another assembly using the shortest connectors for headers J1 and J2. Figure A-2 shows this “exclusion zone.”

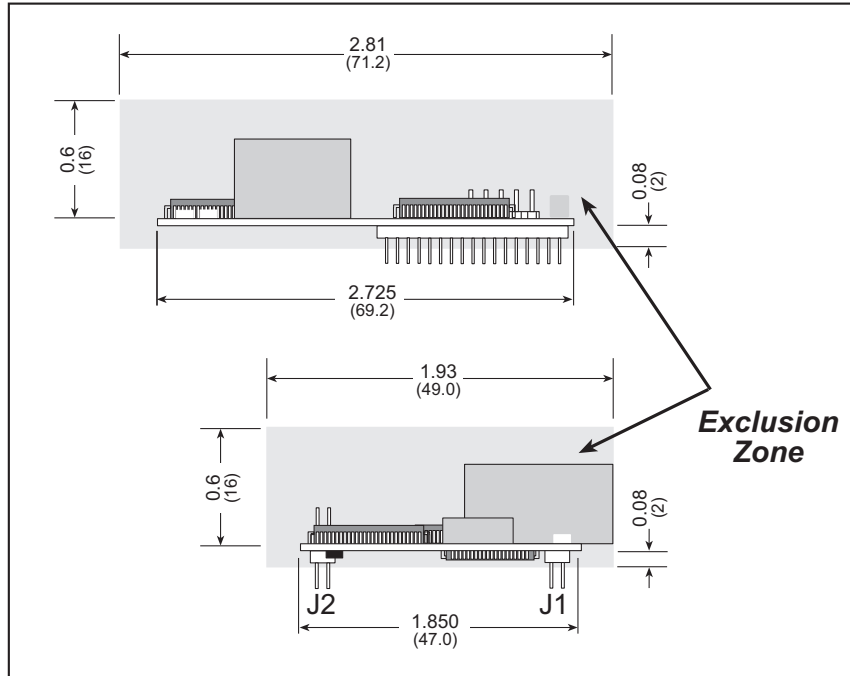


Figure A-2. RCM3200 “Exclusion Zone”

Table A-1 lists the electrical, mechanical, and environmental specifications for the RCM3200.

Table A-1. RabbitCore RCM3200 Specifications

Feature	RCM3200	RCM3210	RCM3220
Microprocessor	Rabbit 3000 [®] at 44.2 MHz	Rabbit 3000 [®] at 29.5 MHz	Rabbit 3000 [®] at 44.2 MHz
EMI Reduction	Spectrum spreader for reduced EMI (radiated emissions)		
Ethernet Port	10/100Base-T, RJ-45, 3 LEDs		—
Flash Memory	512K	256K	512K
Data SRAM	256K	128K	256K
Program Execution SRAM	512K	—	512K
Backup Battery	Connection for user-supplied backup battery (to support RTC and data SRAM)		
General-Purpose I/O	52 parallel digital I/O lines: <ul style="list-style-type: none"> • 44 configurable I/O • 4 fixed inputs • 4 fixed outputs 		
Additional Inputs	Startup mode (2), reset in		
Additional Outputs	Status, reset out		
Auxiliary I/O Bus	Can be configured for 8 data lines and 6 address lines (shared with parallel I/O lines), plus I/O read/write		
Serial Ports	6 shared high-speed, CMOS-compatible ports: <ul style="list-style-type: none"> • all 6 configurable as asynchronous (with IrDA), 4 as clocked serial (SPI), and 2 as SDLC/HDLC (with IrDA) • 1 asynchronous serial port dedicated for programming • support for MIR/SIR IrDA transceiver 		
Serial Rate	Maximum asynchronous baud rate = CLK/8		
Slave Interface	A slave port allows the RCM3200 to be used as an intelligent peripheral device slaved to a master processor, which may either be another Rabbit 3000 or any other type of processor		
Real-Time Clock	Yes		
Timers	Ten 8-bit timers (6 cascadable), one 10-bit timer with 2 match registers		
Watchdog/Supervisor	Yes		
Pulse-Width Modulators	10-bit free-running counter and four pulse-width registers		
Input Capture	2- channel input capture can be used to time input signals from various port pins		
Quadrature Decoder	2-channel quadrature decoder accepts inputs from external incremental encoder modules		
Power	3.15 V to 3.45 V DC 255 mA @ 3.3 V		

Table A-1. RabbitCore RCM3200 Specifications (continued)

Feature	RCM3200	RCM3210	RCM3220
Operating Temperature	-40°C to +70°C		
Humidity	5% to 95%, noncondensing		
Connectors	Two 2 × 17, 2 mm pitch		
Board Size	1.850" × 2.725" × 0.86" (47 mm × 69 mm × 22 mm)		

A.1.1 Headers

The RCM3200 uses headers at J1 and J2 for physical connection to other boards. J1 and J2 are 2 × 17 SMT headers with a 2 mm pin spacing. J3, the programming port, is a 2 × 5 header with a 1.27 mm pin spacing.

Figure A-3 shows the layout of another board for the RCM3200 to be plugged into. These values are relative to the mounting hole.

A.1.2 Physical Mounting

A 9/32" (7 mm) standoff with a 2-56 screw is recommended to attach the RCM3200 to a user board at the hole position shown in Figure A-3. Either use plastic hardware, or use insulating washers to keep any metal hardware from shorting out signals on the RCM3200.

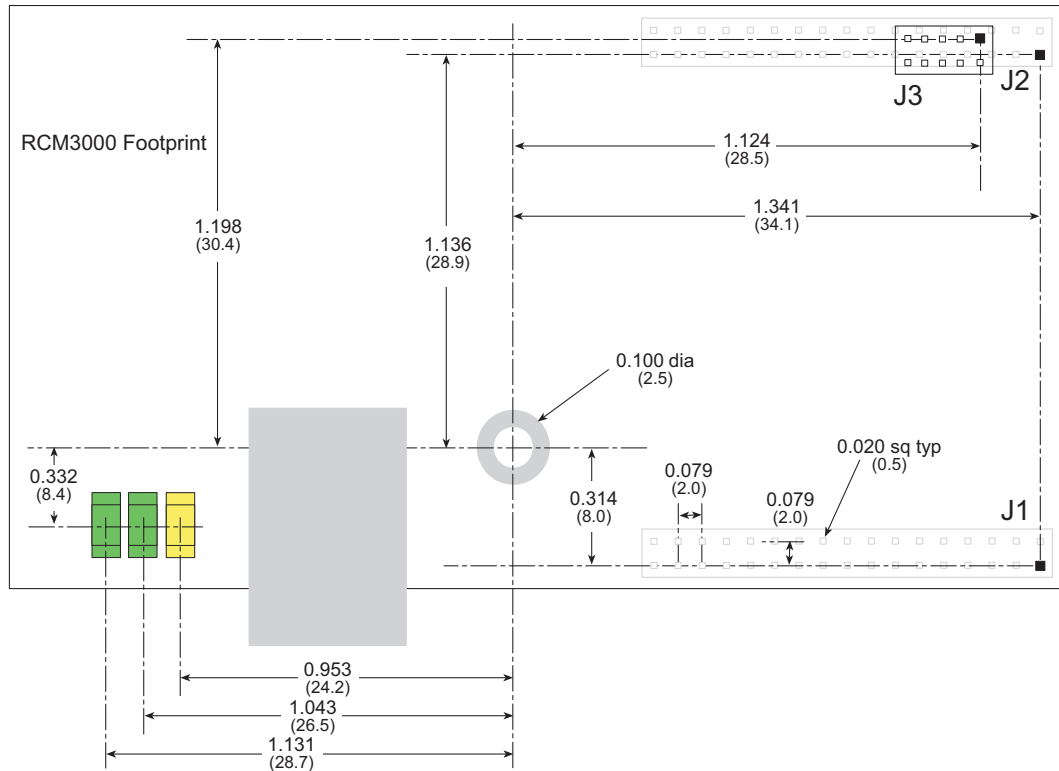


Figure A-3. User Board Footprint for RCM3200

A.2 Bus Loading

You must pay careful attention to bus loading when designing an interface to the RCM3200. This section provides bus loading information for external devices.

Table A-2 lists the capacitance for the various RCM3200 I/O ports.

Table A-2. Capacitance of Rabbit 3000 I/O Ports

I/O Ports	Input Capacitance (pF)	Output Capacitance (pF)
Parallel Ports A to G	12	14

Table A-3 lists the external capacitive bus loading for the various RCM3200 output ports. Be sure to add the loads for the devices you are using in your custom system and verify that they do not exceed the values in Table A-3.

Table A-3. External Capacitive Bus Loading -40°C to +70°C

Output Port	Clock Speed (MHz)	Maximum External Capacitive Loading (pF)
All I/O lines with clock doubler enabled	29.4	30–70
All I/O lines with clock doubler disabled	14.7456	100

Figure A-4 shows a typical timing diagram for the Rabbit 3000 microprocessor external memory read and write cycles.

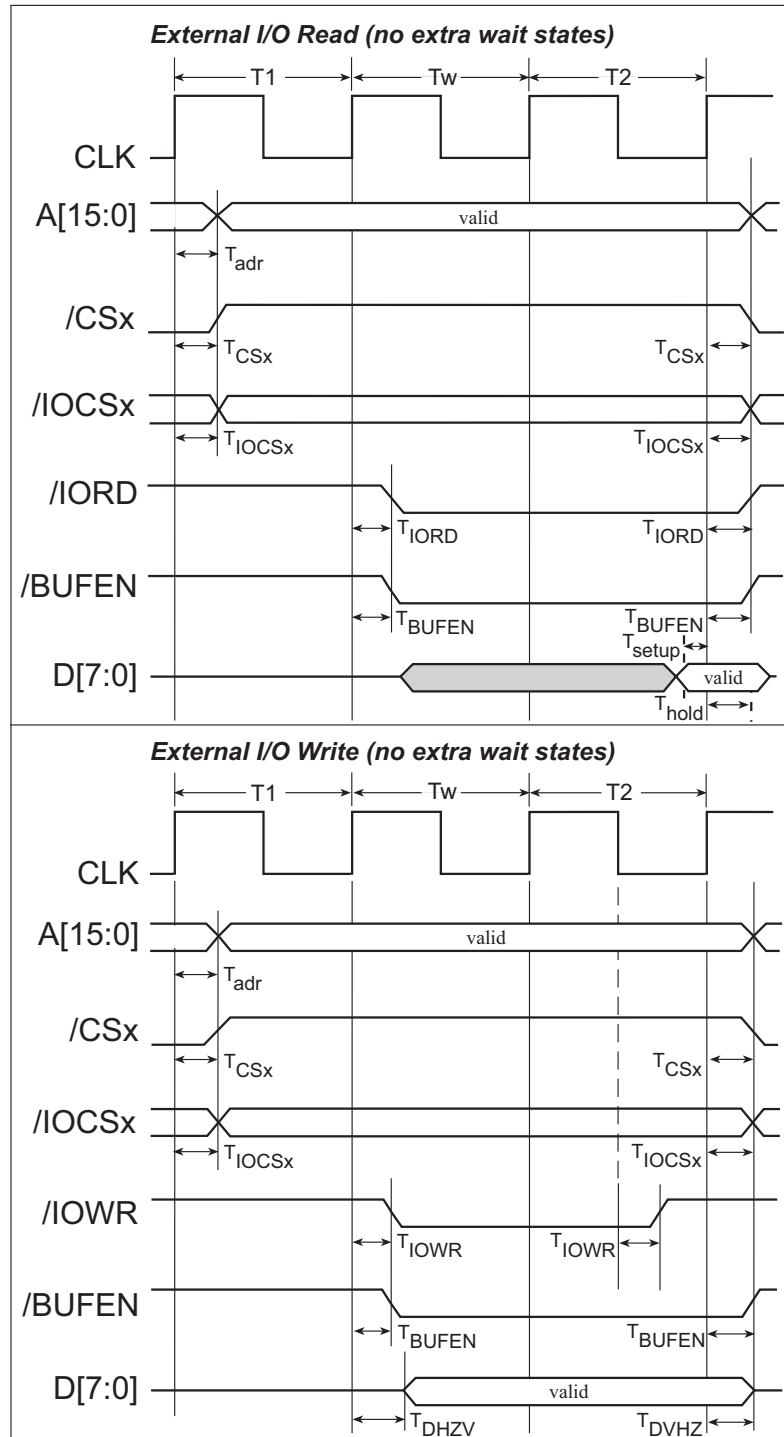


Figure A-4. I/O Read and Write Cycles—No Extra Wait States

NOTE: /IOCSx can be programmed to be active low (default) or active high.

Table A-4 lists the delays in gross memory access time for several values of V_{DD} .

Table A-4. Data and Clock Delays $V_{DD} \pm 10\%$, Temp, -40°C – $+85^{\circ}\text{C}$ (maximum)

VDD	Clock to Address Output Delay (ns)			Data Setup Time Delay (ns)	Spectrum Spreader Delay (ns)	
	30 pF	60 pF	90 pF		Normal dbi/no dbi	Strong dbi/no dbi
3.3	6	8	11	1	3/4.5	4.5/9
2.7	7	10	13	1.5	3.5/5.5	5.5/11
2.5	8	11	15	1.5	4/6	6/12
1.8	18	24	33	3	8/12	11/22

The measurements are taken at the 50% points under the following conditions.

- $T = -40^{\circ}\text{C}$ to 85°C , $V = V_{DD} \pm 10\%$
- Internal clock to nonloaded CLK pin delay # 1 ns @ $85^{\circ}\text{V}/4.5\text{ V}$

The clock to address output delays are similar, and apply to the following delays.

- T_{adr} , the clock to address delay
- T_{CS_x} , the clock to memory chip select delay
- T_{IOCS_x} , the clock to I/O chip select delay
- T_{IORD} , the clock to I/O read strobe delay
- T_{IOWR} , the clock to I/O write strobe delay
- T_{BUFEN} , the clock to I/O buffer enable delay

The data setup time delays are similar for both T_{setup} and T_{hold} .

When the spectrum spreader is enabled with the clock doubler, every other clock cycle is shortened (sometimes lengthened) by a maximum amount given in the table above. The shortening takes place by shortening the high part of the clock. If the doubler is not enabled, then every clock is shortened during the low part of the clock period. The maximum shortening for a pair of clocks combined is shown in the table.

Technical Note TN227, *Interfacing External I/O with Rabbit 2000/3000 Designs*, contains suggestions for interfacing I/O devices to the Rabbit 3000 microprocessors.

A.3 Rabbit 3000 DC Characteristics

Table A-5 outlines the DC characteristics for the Rabbit at 3.3 V over the recommended operating temperature range from $T_a = -55^{\circ}\text{C}$ to $+125^{\circ}\text{C}$, $V_{DD} = 3.0\text{ V}$ to 3.6 V .

Table A-5. 3.3 Volt DC Characteristics

Symbol	Parameter	Test Conditions	Min	Typ	Max	Units
I_{IH}	Input Leakage High	$V_{IN} = V_{DD}$, $V_{DD} = 3.3\text{ V}$			1	μA
I_{IL}	Input Leakage Low (no pull-up)	$V_{IN} = V_{SS}$, $V_{DD} = 3.3\text{ V}$	-1			μA
I_{OZ}	Output Leakage (no pull-up)	$V_{IN} = V_{DD}$ or V_{SS} , $V_{DD} = 3.3\text{ V}$	-1		1	μA
V_{IL}	CMOS Input Low Voltage				$0.3 \times V_{DD}$	V
V_{IH}	CMOS Input High Voltage		$0.7 \times V_{DD}$			V
V_T	CMOS Switching Threshold	$V_{DD} = 3.3\text{ V}$, 25°C		1.65		V
V_{OL}	Low-Level Output Voltage	$I_{OL} = \text{See (sinking)}$ $V_{DD} = 3.0\text{ V}$			0.4	V
V_{OH}	High-Level Output Voltage	$I_{OH} = \text{See (sourcing)}$ $V_{DD} = 3.0\text{ V}$	$0.7 \times V_{DD}$			V

A.4 I/O Buffer Sourcing and Sinking Limit

Unless otherwise specified, the Rabbit I/O buffers are capable of sourcing and sinking 6.8 mA of current per pin at full AC switching speed. Full AC switching assumes a 29.4 MHz CPU clock and capacitive loading on address and data lines of less than 70 pF per pin. The absolute maximum operating voltage on all I/O is 5.5 V.

Table A-6 shows the AC and DC output drive limits of the parallel I/O buffers when the Rabbit 3000 is used in the RCM3200.

Table A-6. I/O Buffer Sourcing and Sinking Capability

Pin Name	Output Drive (Full AC Switching) Sourcing/Sinking Limits (mA)	
	Sourcing	Sinking
All data, address, and I/O lines with clock doubler enabled	6.8	6.8

Under certain conditions, the maximum instantaneous AC/DC sourcing or sinking current may be greater than the limits outlined in Table A-6. The maximum AC/DC sourcing current can be as high as 12.5 mA per buffer as long as the number of sourcing buffers does not exceed three per V_{DD} or V_{SS} pad, or up to six outputs between pads. Similarly, the maximum AC/DC sinking current can be as high as 8.5 mA per buffer as long as the number of sinking buffers does not exceed three per V_{DD} or V_{SS} pad, or up to six outputs between pads. The V_{DD} bus can handle up to 35 mA, and the V_{SS} bus can handle up to 28 mA. All these analyses were measured at 100°C.

A.5 Conformal Coating

The areas around the 32 kHz real-time clock crystal oscillator has had the Dow Corning silicone-based 1-2620 conformal coating applied. The conformally coated area is shown in Figure A-5. The conformal coating protects these high-impedance circuits from the effects of moisture and contaminants over time.

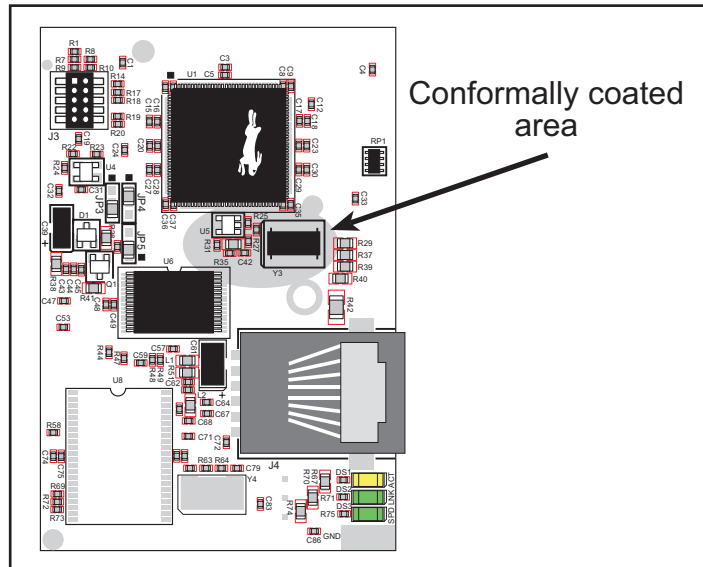


Figure A-5. RCM3200 Areas Receiving Conformal Coating

Any components in the conformally coated area may be replaced using standard soldering procedures for surface-mounted components. A new conformal coating should then be applied to offer continuing protection against the effects of moisture and contaminants.

NOTE: For more information on conformal coatings, refer to Technical Note 303, *Conformal Coatings*.

A.6 Jumper Configurations

Figure A-6 shows the header locations used to configure the various RCM3200 options via jumpers.

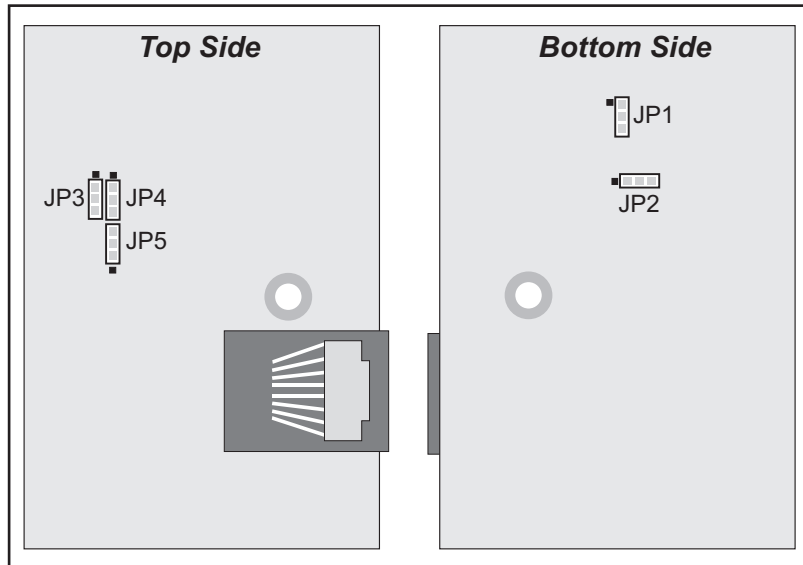


Figure A-6. Location of RCM3200 Configurable Positions

Table A-7 lists the configuration options.

Table A-7. RCM3200 Jumper Configurations

Header	Description	Pins Connected		Factory Default
JP1	Auxiliary I/O data bus	1-2	Buffer disabled	
		2-3	Buffer enabled	×
JP2	Program Execution SRAM Size	1-2	128K/256K	
		2-3	512K	×
JP3	Flash Memory Size	1-2	128K/256K	
		2-3	512K	×
JP4	Flash Memory Bank Select	1-2	Normal Mode	×
		2-3	Bank Mode	
JP5	Data SRAM Size	1-2	256K	×
		2-3	512K	

NOTE: The jumper connections are made using 0 Ω surface-mounted resistors.



APPENDIX B. PROTOTYPING BOARD

Appendix B describes the features and accessories of the Prototyping Board, and explains the use of the Prototyping Board to demonstrate the RCM3200 and to build prototypes of your own circuits.

B.1 Mechanical Dimensions and Layout

Figure B-1 shows the mechanical dimensions and layout for the RCM3200 Prototyping Board.

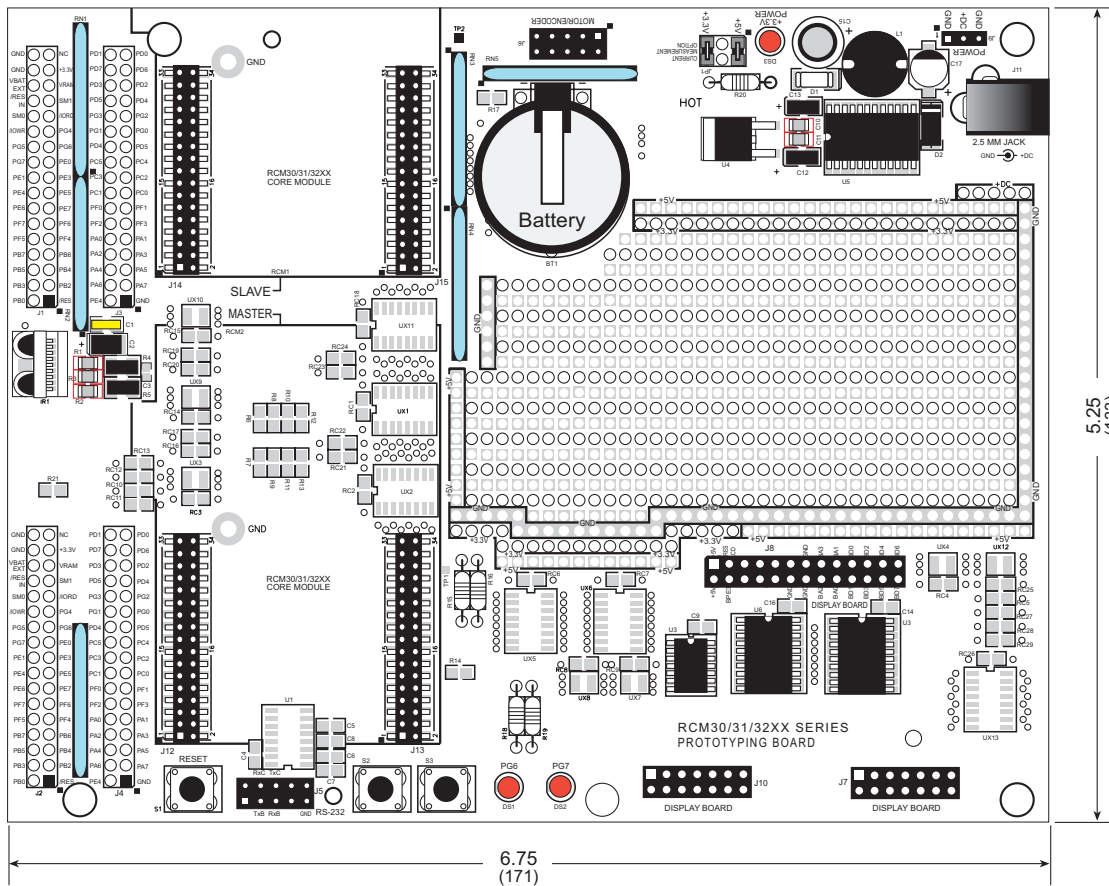


Figure B-1. Prototyping Board Dimensions

Table B-1 lists the electrical, mechanical, and environmental specifications for the Prototyping Board.

Table B-1. Prototyping Board Specifications

Parameter	Specification
Board Size	5.25" × 6.75" × 1.00" (133 mm × 171 mm × 25 mm)
Operating Temperature	-20°C to +60°C
Humidity	5% to 95%, noncondensing
Input Voltage	8 V to 24 V DC
Maximum Current Draw (including user-added circuits)	800 mA max. for +3.3 V supply, 1 A total +3.3 V and +5 V combined
Prototyping Area	2.0" × 3.5" (50 mm × 90 mm) throughhole, 0.1" spacing, additional space for SMT components
Standoffs/Spacers	5, accept 4-40 × 3/8 screws

B.2 Power Supply

The RCM3200 requires a regulated 3.3 V ± 0.15 V DC power source to operate. Depending on the amount of current required by the application, different regulators can be used to supply this voltage.

The Prototyping Board has an onboard +5 V switching power regulator from which a +3.3 V linear regulator draws its supply. Thus both +5 V and +3.3 V are available on the Prototyping Board.

The Prototyping Board itself is protected against reverse polarity by a Shottky diode at D2 as shown in Figure B-2.

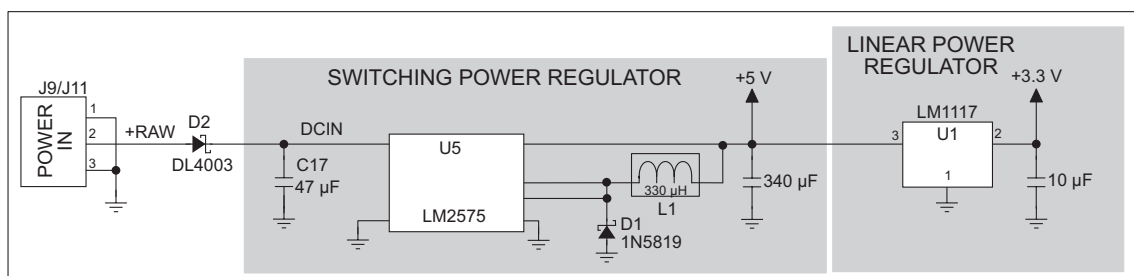


Figure B-2. Prototyping Board Power Supply

B.3 Using the Prototyping Board

The Prototyping Board is actually both a demonstration board and a prototyping board. As a demonstration board, it can be used to demonstrate the functionality of the RCM3200 right out of the box without any modifications to either board. There are no jumpers or dip switches to configure or misconfigure on the Prototyping Board so that the initial setup is very straightforward.

The Prototyping Board comes with the basic components necessary to demonstrate the operation of the RCM3200. Two LEDs (DS1 and DS2) are connected to PG6 and PG7, and two switches (S2 and S3) are connected to PG1 and PG0 to demonstrate the interface to the Rabbit 3000 microprocessor. Reset switch S1 is the hardware reset for the RCM3200.

The Prototyping Board provides the user with RCM3200 connection points brought out conveniently to labeled points at headers J2 and J4 on the Prototyping Board. Small to medium circuits can be prototyped using point-to-point wiring with 20 to 30 AWG wire between the prototyping area and the holes at locations J2 and J4. The holes are spaced at 0.1" (2.5 mm), and 40-pin headers or sockets may be installed at J2 and J4. The pinouts for locations J2 and J4, which correspond to headers J1 and J2, are shown in Figure B-3.

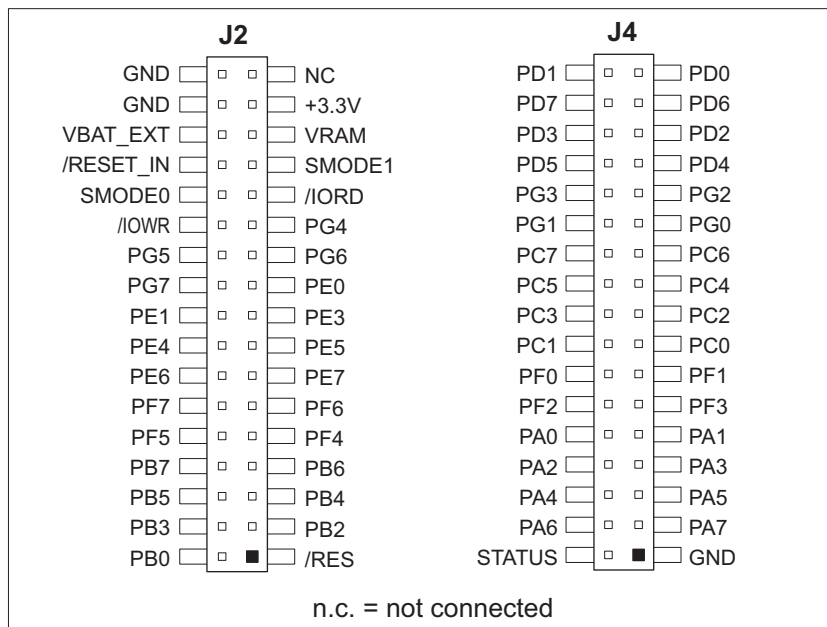


Figure B-3. Prototyping Board Pinout (Top View)

The small holes are also provided for surface-mounted components that may be installed around the prototyping area.

There is a 2.0" × 3.5" through-hole prototyping space available on the Prototyping Board. +3.3 V, +5 V, and GND traces run along the edge of the Prototyping Board for easy access.

B.3.1 Adding Other Components

There are pads that can be used for surface-mount prototyping involving SOIC devices. There is provision for seven 16-pin devices (six on one side, one on the other side). There are 10 sets of pads that can be used for 3- to 6-pin SOT23 packages. There are also pads that can be used for SMT resistors and capacitors in an 0805 SMT package. Each component has every one of its pin pads connected to a hole in which a 30 AWG wire can be soldered (standard wire wrap wire can be soldered in for point-to-point wiring on the Prototyping Board). Because the traces are very thin, carefully determine which set of holes is connected to which surface-mount pad.

B.3.2 Measuring Current Draw

The Prototyping Board has a current-measurement feature available on header JP1. Normally, a jumper connects pins 1–2 and pins 5–6 on header JP1, which provide jumper connections for the +5 V and the +3.3 V regulated voltages respectively. You may remove a jumper and place an ammeter across the pins instead, as shown in the example in Figure B-4, to measure the current being drawn.

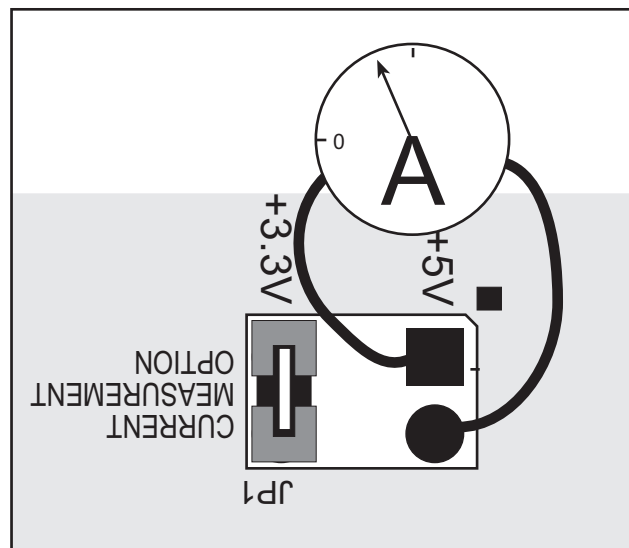


Figure B-4. Prototyping Board Current-Measurement Option

B.3.3 Other Prototyping Board Modules and Options

An optional LCD/keypad module is available that can be mounted on the Prototyping Board. Refer to Appendix C, “LCD/Keypad Module,” for complete information.

A motor control option is available for development by the customer. Refer to Appendix F, “Motor Control Option,” for complete information on using the Rabbit 3000’s Parallel Port F in conjunction with this application.

APPENDIX C. LCD/KEYPAD MODULE

An optional LCD/keypad is available for the Prototyping Board. Appendix C describes the LCD/keypad and provides the software APIs to make full use of the LCD/keypad.

C.1 Specifications

Two optional LCD/keypad modules—with or without a panel-mounted bezel—are available for use with the Prototyping Board. They are shown in Figure C-1.

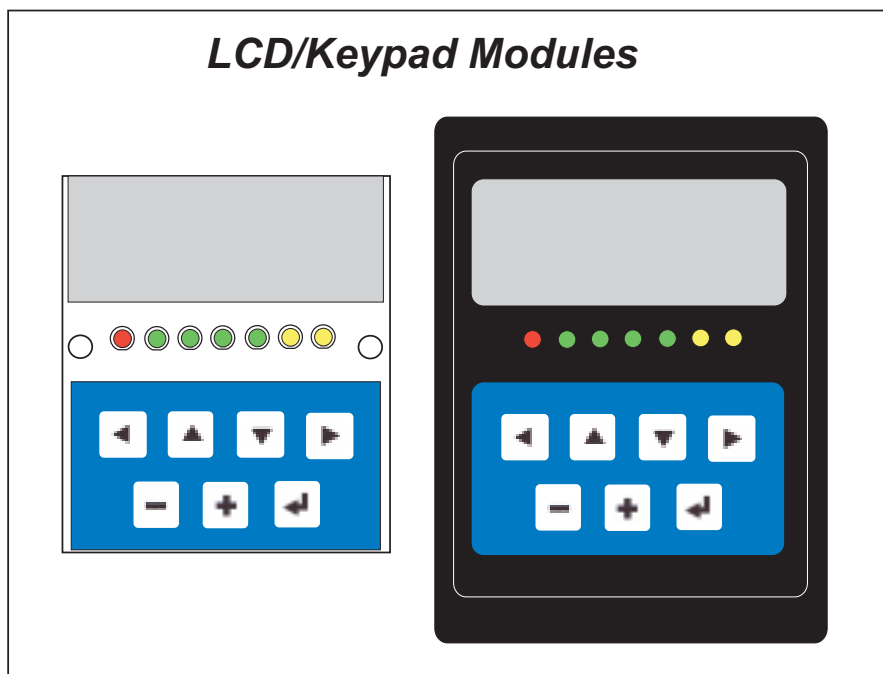


Figure C-1. LCD/Keypad Modules Models

Contact your Z-World or Rabbit Semiconductor sales representative or your authorized Z-World/Rabbit Semiconductor distributor for further assistance in purchasing an LCD/keypad module.

Mounting hardware and a 60 cm (24") extension cable are also available for the LCD/keypad module through your Z-World/Rabbit Semiconductor sales representative or authorized distributor.

Table C-1 lists the electrical, mechanical, and environmental specifications for the LCD/keypad module.

Table C-1. LCD/Keypad Specifications

Parameter	Specification
Board Size	2.60" × 3.00" × 0.75" (66 mm × 76 mm × 19 mm)
Temperature	Operating Range: 0°C to +50°C Storage Range: -40°C to +85°C
Humidity	5% to 95%, noncondensing
Power Consumption	1.5 W maximum *
Connections	Connects to high-rise header sockets on the Prototyping Board
LCD Panel Size	122 × 32 graphic display
Keypad	7-key keypad
LEDs	Seven user-programmable LEDs

* The backlight adds approximately 650 mW to the power consumption.

C.2 Contrast Adjustments for All Boards

Depending on when you acquired your LCD/keypad module, you will be able to set the contrast on the LCD display by adjusting the potentiometer at R2 or by setting the voltage for 5 V by not using the jumper across any pins on header J5 as shown in Figure C-2. Only one of these two options is available on a given LCD/keypad module.

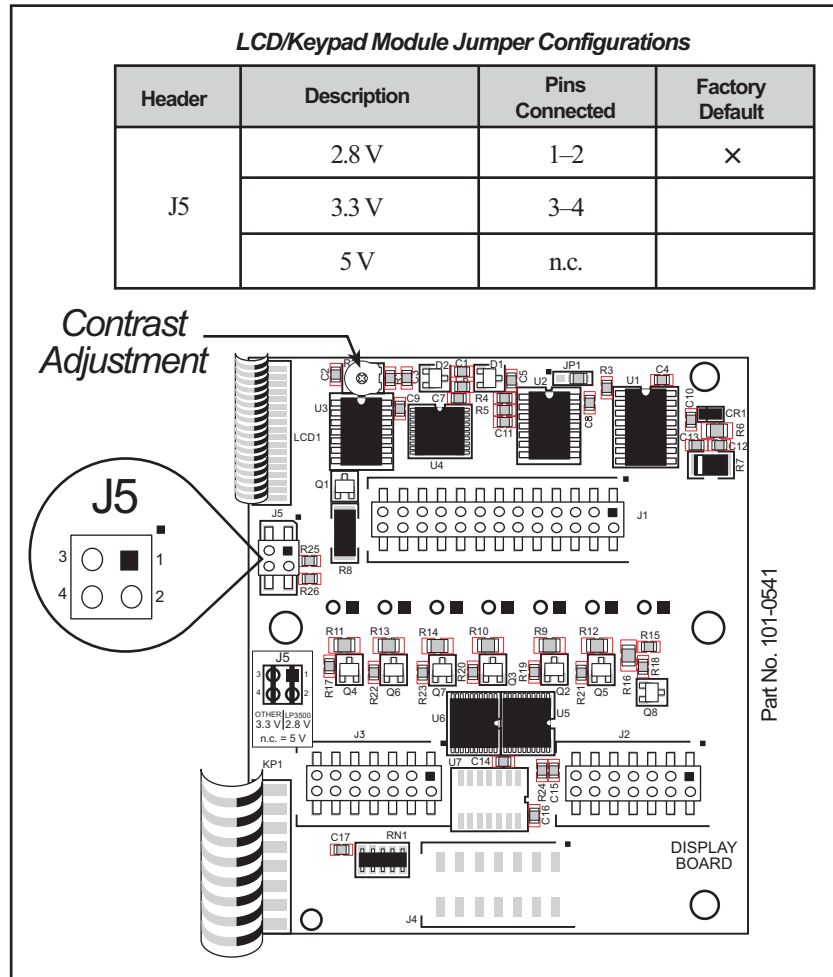


Figure C-2. LCD/Keypad Module Voltage Settings

NOTE: Older LCD/keypad modules that do not have a header at J5 or a contrast adjustment potentiometer at R2 are limited to operate only at 5 V, and will work with the Prototyping Board. The older LCD/keypad modules are no longer being sold.

C.3 Keypad Labeling

The keypad may be labeled according to your needs. A template is provided in Figure C-3 to allow you to design your own keypad label insert.

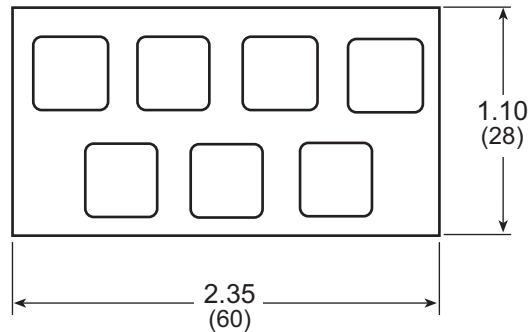


Figure C-3. Keypad Template

To replace the keypad legend, remove the old legend and insert your new legend prepared according to the template in Figure C-3. The keypad legend is located under the blue keypad matte, and is accessible from the left only as shown in Figure C-4.

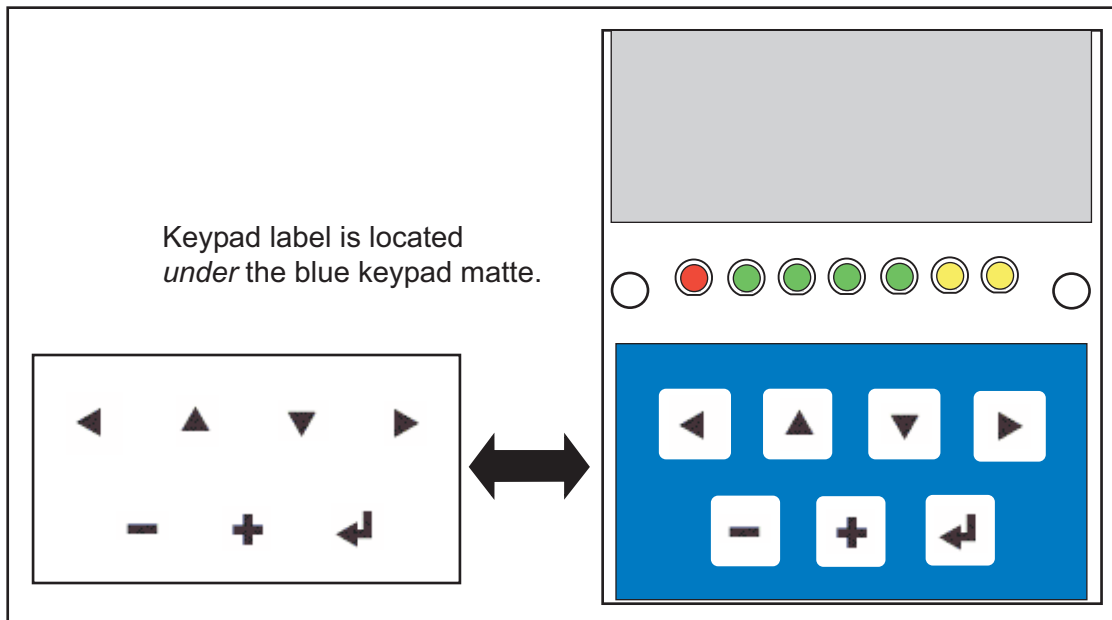


Figure C-4. Removing and Inserting Keypad Label

C.4 Header Pinouts

Figure C-5 shows the pinouts for the LCD/keypad module.

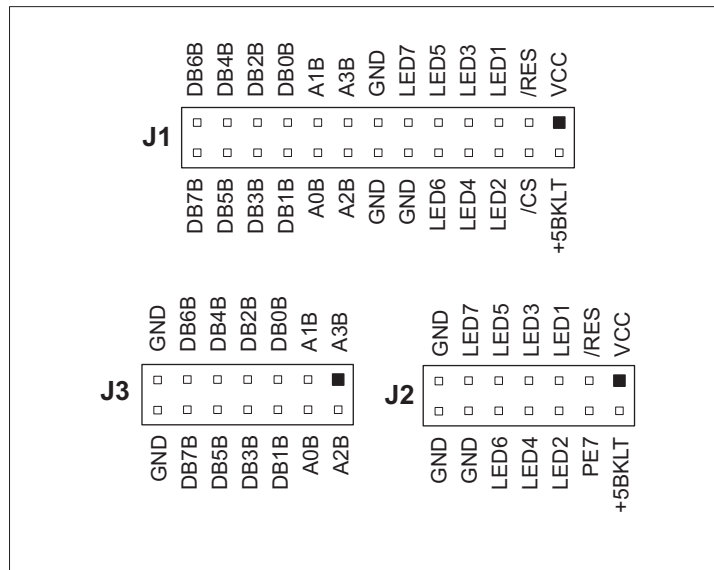


Figure C-5. LCD/Keypad Module Pinouts

C.4.1 I/O Address Assignments

The LCD and keypad on the LCD/keypad module are addressed by the /CS strobe as explained in Table C-2.

Table C-2. LCD/Keypad Module Address Assignment

Address	Function
0xC000	Device select base address (/CS)
0xCxx0–0xCxx7	LCD control
0xCxx8	LED enable
0xCxx9	Not used
0xCxxA	7-key keypad
0xCxxB (bits 0–6)	7-LED driver
0xCxxB (bit 7)	LCD backlight on/off
0xCxxC–ExxF	Not used

C.5 Mounting LCD/Keypad Module on the Prototyping Board

Install the LCD/keypad module on header sockets J7, J8, and J10 of the Prototyping Board as shown in Figure C-6. Be careful to align the pins over the headers, and do not bend them as you press down to mate the LCD/keypad module with the Prototyping Board.

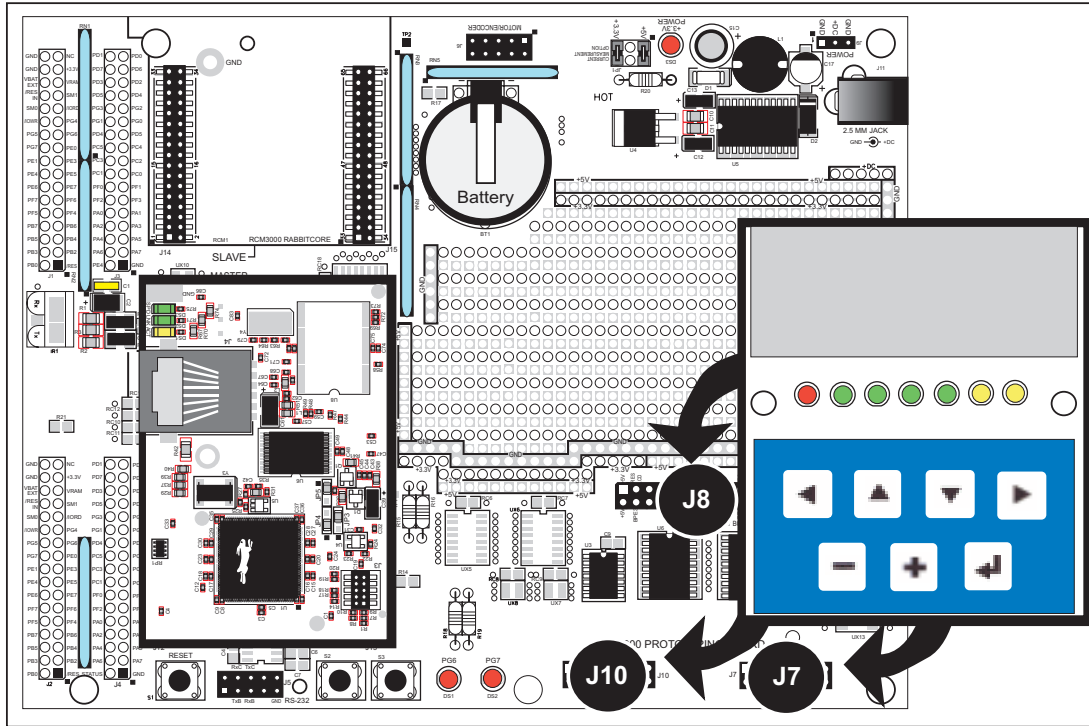


Figure C-6. Install LCD/Keypad Module on Prototyping Board

C.6 Bezel-Mount Installation

This section describes and illustrates how to bezel-mount the LCD/keypad module. Follow these steps for bezel-mount installation.

1. Cut mounting holes in the mounting panel in accordance with the recommended dimensions in Figure C-7, then use the bezel faceplate to mount the LCD/keypad module onto the panel.

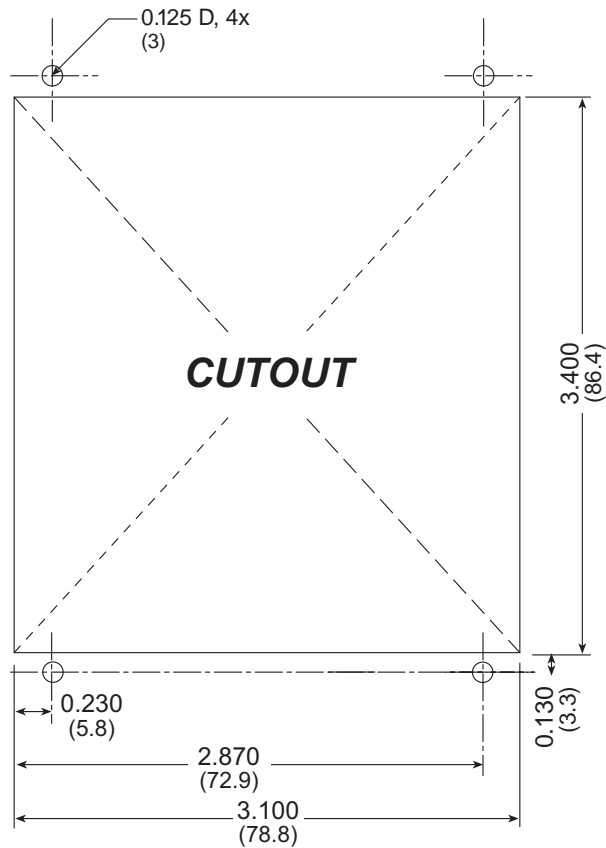


Figure C-7. Recommended Cutout Dimensions

2. Carefully “drop in” the LCD/keypad module with the bezel and gasket attached.

3. Fasten the unit with the four 4-40 screws and washers included with the LCD/keypad module. If your panel is thick, use a 4-40 screw that is approximately 3/16" (5 mm) longer than the thickness of the panel.

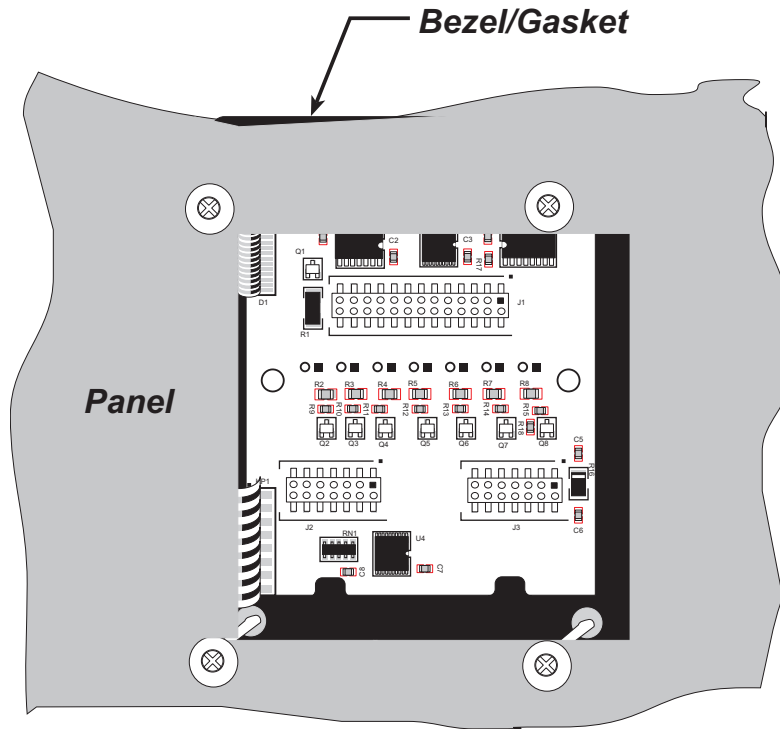


Figure C-8. LCD/Keypad Module Mounted in Panel (rear view)

Carefully tighten the screws until the gasket is compressed and the plastic bezel faceplate is touching the panel.

Do not tighten each screw fully before moving on to the next screw. Apply only one or two turns to each screw in sequence until all are tightened manually as far as they can be so that the gasket is compressed and the plastic bezel faceplate is touching the panel.

C.6.1 Connect the LCD/Keypad Module to Your Prototyping Board

The LCD/keypad module can be located as far as 2 ft. (60 cm) away from the RCM3000 Series Prototyping Board, and is connected via a ribbon cable as shown in Figure C-9.

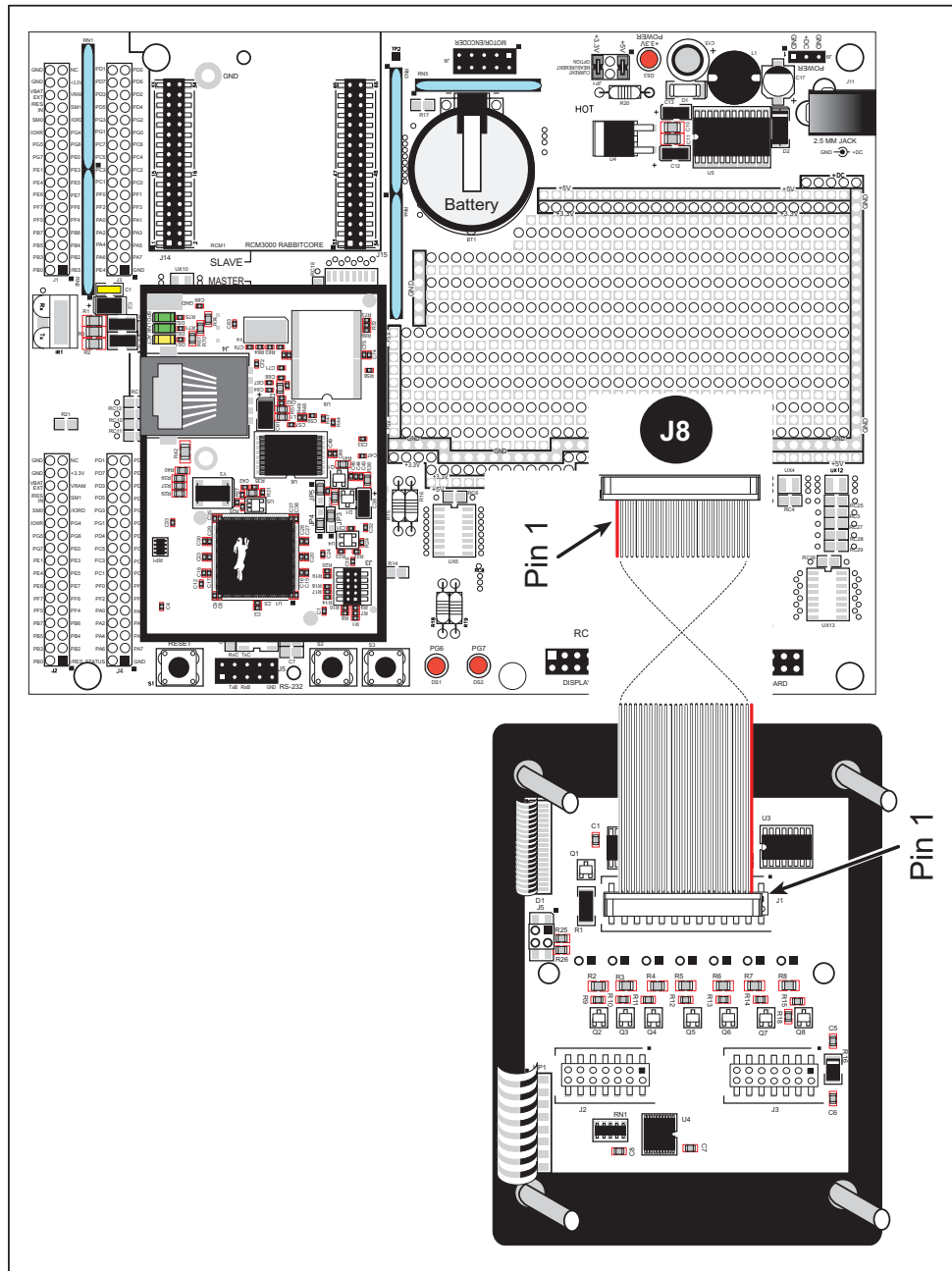


Figure C-9. Connecting LCD/Keypad Module to RCM3000 Series Prototyping Board

Note the locations and connections relative to pin 1 on both the RCM3000 Series Prototyping Board and the LCD/keypad module.

Z-World offers 2 ft. (60 cm) extension cables. Contact your authorized Z-World distributor or a Z-World sales representative at +1(530)757-3737 for more information.

C.7 LCD/Keypad Module Function APIs

When mounted on the Prototyping Board, the LCD/keypad module uses the auxiliary I/O bus on the Rabbit 3000 chip. Remember to add the line

```
#define PORTA_AUX_IO
```

to the beginning of any programs using the auxiliary I/O bus.

C.7.1 LEDs

When power is applied to the LCD/keypad module for the first time, the red LED (DS1) will come on, indicating that power is being applied to the LCD/keypad module. The red LED is turned off when the `brdInit` function executes.

One function is available to control the LEDs, and can be found in the `RCM3200.LIB` library in the `SAMPLES\RCM3200` directory.

```
void ledOut(int led, int value);
```

LED on/off control. This function will only work when the LCD/keypad module is installed on the Prototyping Board.

PARAMETERS

`led` is the LED to control.

- 0 = LED DS1
- 1 = LED DS2
- 2 = LED DS3
- 3 = LED DS4
- 4 = LED DS5
- 5 = LED DS6
- 6 = LED DS7

`value` is the value used to control whether the LED is on or off (0 or 1).

- 0 = off
- 1 = on

RETURN VALUE

None.

SEE ALSO

`brdInit`

C.7.2 LCD Display

The functions used to control the LCD display are contained in the **GRAPHIC.LIB** library located in the Dynamic C **DISPLAYS\GRAPHIC** library directory.

```
void glInit(void);
```

Initializes the display devices, clears the screen.

RETURN VALUE

None.

SEE ALSO

`glDispOnOFF`, `glBacklight`, `glSetContrast`, `glPlotDot`, `glBlock`, `glPlotDot`,
`glPlotPolygon`, `glPlotCircle`, `glHScroll`, `glVScroll`, `glXFontInit`, `glPrintf`,
`glPutChar`, `glSetBrushType`, `glBuffLock`, `glBuffUnlock`, `glPlotLine`

```
void glBackLight(int onOff);
```

Sets the intensity of the backlight, if circuitry is installed.

PARAMETER

: **onOff** reflects the low to high values (typically 0 to 255, depending on the board design) to set the backlight intensity (0 will turn the backlight off completely.)

RETURN VALUE

None.

SEE ALSO

`glInit`, `glDispOnoff`, `glSetContrast`

```
void glDispOnOff(int onOff);
```

Sets the LCD screen on or off. Data will not be cleared from the screen.

PARAMETER

onOff turns the LCD screen on or off

1—turn the LCD screen on

0—turn the LCD screen off

RETURN VALUE

None.

SEE ALSO

`glInit`, `glSetContrast`, `glBackLight`

```
void glSetContrast(unsigned level);
```

Sets display contrast (the circuitry is *not* installed on the LCD/keypad module used with the Prototyping Board).

PARAMETER

level reflects low to high values (typically 0 to 255, depending on the board design) to give high to low contrast respectively.

RETURN VALUE

None.

SEE ALSO

`glInit`, `glBacklight`, `glDispOnoff`

```
void glFillScreen(char pattern);
```

Fills the LCD display screen with a pattern.

PARAMETER

The screen will be set to all black if **pattern** is 0xFF, all white if **pattern** is 0x00, and vertical stripes for any other pattern.

RETURN VALUE

None.

SEE ALSO

`glBlock`, `glBlankScreen`, `glPlotPolygon`, `glPlotCircle`

```
void glBlankScreen(void);
```

Blanks the LCD display screen (sets LCD display screen to white).

RETURN VALUE

None.

SEE ALSO

`glFillScreen`, `glBlock`, `glPlotPolygon`, `glPlotCircle`


```
void glBlock(int x, int y, int bmWidth,  
             int bmHeight);
```

Draws a rectangular block in the page buffer and on the LCD if the buffer is unlocked. Any portion of the block that is outside the LCD display area will be clipped.

PARAMETERS

x is the *x* coordinate of the upper left corner of the block.

y is the *y* coordinate of the left top corner of the block.

bmWidth is the width of the block.

bmHeight is the height of the block.

RETURN VALUE

None.

SEE ALSO

`glFillScreen`, `glBlankScreen`, `glPlotPolygon`, `glPlotCircle`

```
void glPlotVPolygon(int n, int *pFirstCoord);
```

Plots the outline of a polygon in the LCD page buffer, and on the LCD if the buffer is unlocked. Any portion of the polygon that is outside the LCD display area will be clipped. The function will also return, doing nothing, if there are less than 3 vertices.

PARAMETERS

n is the number of vertices.

***pFirstCoord** is a pointer to array of vertex coordinates: **x1,y1, x2,y2, x3,y3,...**

RETURN VALUE

None.

SEE ALSO

`glPlotPolygon`, `glFillPolygon`, `glFillVPolygon`

```
void glPlotPolygon(int n, int y1, int x2, int y2,  
...);
```

Plots the outline of a polygon in the LCD page buffer and on the LCD if the buffer is unlocked. Any portion of the polygon that is outside the LCD display area will be clipped. The function will also return, doing nothing, if there are less than 3 vertices.

PARAMETERS

n is the number of vertices.

y1 is the y coordinate of the first vertex.

x1 is the x coordinate of the first vertex.

y2 is the y coordinate of the second vertex.

x2 is the x coordinate of the second vertex.

... are the coordinates of additional vertices.

RETURN VALUE

None.

SEE ALSO

`glPlotVPolygon`, `glFillPolygon`, `glFillVPolygon`

```
void glFillVPolygon(int n, int *pFirstCoord);
```

Fills a polygon in the LCD page buffer and on the LCD screen if the buffer is unlocked. Any portion of the polygon that is outside the LCD display area will be clipped. The function will also return, doing nothing, if there are less than 3 vertices.

PARAMETERS

n is the number of vertices.

***pFirstCoord** is a pointer to array of vertex coordinates: **x1,y1, x2,y2, x3,y3,...**

RETURN VALUE

None.

SEE ALSO

`glFillPolygon`, `glPlotPolygon`, `glPlotVPolygon`

```
void glFillPolygon(int n, int x1, int y1, int x2,  
int y2, ...);
```

Fills a polygon in the LCD page buffer and on the LCD if the buffer is unlocked. Any portion of the polygon that is outside the LCD display area will be clipped.

PARAMETERS

n is the number of vertices.

x1 is the x coordinate of the first vertex.

y1 is the y coordinate of the first vertex.

x2 is the x coordinate of the second vertex.

y2 is the y coordinate of the second vertex.

... are the coordinates of additional vertices.

RETURN VALUE

None.

SEE ALSO

`glFillVPolygon`, `glPlotPolygon`, `glPlotVPolygon`

```
void glPlotCircle(int xc, int yc, int rad);
```

Draws a circle in the LCD page buffer and on the LCD if the buffer is unlocked. Any portion of the circle that is outside the LCD display area will be clipped.

PARAMETERS

xc is the x coordinate of the center of the circle.

yc is the y coordinate of the center of the circle.

rad is the radius of the center of the circle (in pixels).

RETURN VALUE

None.

SEE ALSO

`glFillCircle`, `glPlotPolygon`, `glFillPolygon`

```
void glFillCircle(int xc, int yc, int rad);
```

Draws a filled circle in the LCD page buffer and on the LCD if the buffer is unlocked. Any portion of the circle that is outside the LCD display area will be clipped.

PARAMETERS

xc is the x coordinate of the center of the circle.

yc is the y coordinate of the center of the circle.

rad is the radius of the center of the circle (in pixels).

RETURN VALUE

None.

SEE ALSO

`glPlotCircle`, `glPlotPolygon`, `glFillPolygon`

```
void glXFontInit(fontInfo *pInfo, char pixWidth,
                char pixHeight, unsigned startChar,
                unsigned endChar, unsigned long xmemBuffer);
```

Initializes the font descriptor structure, where the font is stored in **xmem**. Each font character's bitmap is column major and byte-aligned.

PARAMETERS

***pInfo** is a pointer to the font descriptor to be initialized.

pixWidth is the width (in pixels) of each font item.

pixHeight is the height (in pixels) of each font item.

startChar is the value of the first printable character in the font character set.

endChar is the value of the last printable character in the font character set.

xmemBuffer is the **xmem** pointer to a linear array of font bitmaps.

RETURN VALUE

None.

SEE ALSO

`glPrintf`

```
unsigned long glFontCharAddr(fontInfo *pInfo,
                             char letter);
```

Returns the **xmem** address of the character from the specified font set.

PARAMETERS

***pInfo** is the **xmem** address of the bitmap font set.

letter is an ASCII character.

RETURN VALUE

xmem address of bitmap character font, column major, and byte-aligned.

SEE ALSO

`glPutFont`, `glPrintf`

```
void glPutFont(int x, int y, fontInfo *pInfo,  
char code);
```

Puts an entry from the font table to the page buffer and on the LCD if the buffer is unlocked. Each font character's bitmap is column major and byte-aligned. Any portion of the bitmap character that is outside the LCD display area will be clipped.

PARAMETERS

x is the *x* coordinate (column) of the upper left corner of the text.

y is the *y* coordinate (row) of the left top corner of the text.

***pInfo** is a pointer to the font descriptor.

code is the ASCII character to display.

RETURN VALUE

None.

SEE ALSO

`glFontCharAddr`, `glPrintf`

```
void glSetPfStep(int stepX, int stepY);
```

Sets the `glPrintf()` printing step direction. The *x* and *y* step directions are independent signed values. The actual step increments depend on the height and width of the font being displayed, which are multiplied by the step values.

PARAMETERS

stepX is the `glPrintf` *x* step value

stepY is the `glPrintf` *y* step value

RETURN VALUE

None.

SEE ALSO

Use `glGetPfStep()` to examine the current *x* and *y* printing step direction.

```
int glGetPfStep(void);
```

Gets the current `glPrintf()` printing step direction. Each step direction is independent of the other, and is treated as an 8-bit signed value. The actual step increments depends on the height and width of the font being displayed, which are multiplied by the step values.

RETURN VALUE

The *x* step is returned in the MSB, and the *y* step is returned in the LSB of the integer result.

SEE ALSO

Use `glGetPfStep()` to control the *x* and *y* printing step direction.

```
void glPutChar(char ch, char *ptr, int *cnt,
               glPutCharInst *pInst)
```

Provides an interface between the **STDIO** string-handling functions and the graphic library. The **STDIO** string-formatting function will call this function, one character at a time, until the entire formatted string has been parsed. Any portion of the bitmap character that is outside the LCD display area will be clipped.

PARAMETERS

ch is the character to be displayed on the LCD.

***ptr** is not used, but is a place holder for **STDIO** string functions.

***cnt** is not used, is a place holder for **STDIO** string functions.

***pInst** is a font descriptor pointer.

RETURN VALUE

None.

SEE ALSO

`glPrintf`, `glPutFont`, `doprnt`

```
void glPrintf(int x, int y, fontInfo *pInfo,
              char *fmt, ...);
```

Prints a formatted string (much like `printf`) on the LCD screen. Only the character codes that exist in the font set are printed, all others are skipped. For example, `'\b'`, `'\t'`, `'\n'` and `'\r'` (ASCII backspace, tab, new line, and carriage return, respectively) will be printed if they exist in the font set, but will not have any effect as control characters. Any portion of the bitmap character that is outside the LCD display area will be clipped.

PARAMETERS

x is the *x* coordinate (column) of the upper left corner of the text.

y is the *y* coordinate (row) of the upper left corner of the text.

***pInfo** is a font descriptor pointer.

***fmt** is a formatted string.

... are formatted string conversion parameter(s).

EXAMPLE

```
glprintf(0,0, &fi12x16, "Test %d\n", count);
```

RETURN VALUE

None.

SEE ALSO

`glXFontInit`

void glBuffLock(void);

Increments LCD screen locking counter. Graphic calls are recorded in the LCD memory buffer and are not transferred to the LCD if the counter is non-zero.

NOTE: `glBuffLock()` and `glBuffUnlock()` can be nested up to a level of 255, but be sure to balance the calls. It is not a requirement to use these procedures, but a set of `glBuffLock()` and `glBuffUnlock()` bracketing a set of related graphic calls speeds up the rendering significantly.

RETURN VALUE

None.

SEE ALSO

`glBuffUnlock`, `glSwap`

void glBuffUnlock(void);

Decrements the LCD screen locking counter. The contents of the LCD buffer are transferred to the LCD if the counter goes to zero.

RETURN VALUE

None.

SEE ALSO

`glBuffLock`, `glSwap`

void glSwap(void);

Checks the LCD screen locking counter. The contents of the LCD buffer are transferred to the LCD if the counter is zero.

RETURN VALUE

None.

SEE ALSO

`glBuffUnlock`, `glBuffLock`, `_glSwapData` (located in the library specifically for the LCD that you are using)

void glSetBrushType(int type);

Sets the drawing method (or color) of pixels drawn by subsequent graphic calls.

PARAMETER

`type` value can be one of the following macros.

`PIXBLACK` draws black pixels.

`PIXWHITE` draws white pixels.

`PIXXOR` draws old pixel XOR'ed with the new pixel.

RETURN VALUE

None.

SEE ALSO

`glGetBrushType`

```
int glGetBrushType(void);
```

Gets the current method (or color) of pixels drawn by subsequent graphic calls.

RETURN VALUE

The current brush type.

SEE ALSO

`glSetBrushType`

```
void glPlotDot(int x, int y);
```

Draws a single pixel in the LCD buffer, and on the LCD if the buffer is unlocked. If the coordinates are outside the LCD display area, the dot will not be plotted.

PARAMETERS

x is the x coordinate of the dot.

y is the y coordinate of the dot.

RETURN VALUE

None.

SEE ALSO

`glPlotline`, `glPlotPolygon`, `glPlotCircle`

```
void glPlotLine(int x0, int y0, int x1, int y1);
```

Draws a line in the LCD buffer, and on the LCD if the buffer is unlocked. Any portion of the line that is beyond the LCD display area will be clipped.

PARAMETERS

x0 is the x coordinate of one endpoint of the line.

y0 is the y coordinate of one endpoint of the line.

x1 is the x coordinate of the other endpoint of the line.

y1 is the y coordinate of the other endpoint of the line.

RETURN VALUE

None.

SEE ALSO

`glPlotDot`, `glPlotPolygon`, `glPlotCircle`


```
void glLeft1(int left, int top, int cols, int rows);
```

Scrolls byte-aligned window left one pixel, right column is filled by current pixel type (color).

PARAMETERS

left is the upper left corner of bitmap, must be evenly divisible by 8.

top is the left top corner of the bitmap.

cols is the number of columns in the window, must be evenly divisible by 8.

rows is the number of rows in the window.

RETURN VALUE

None.

SEE ALSO

`glHScroll`, `glRight1`

```
void glRight1(int left, int top, int cols, int rows);
```

Scrolls byte-aligned window right one pixel, left column is filled by current pixel type (color).

PARAMETERS

left is the upper left corner of bitmap, must be evenly divisible by 8.

top is the left top corner of the bitmap.

cols is the number of columns in the window, must be evenly divisible by 8.

rows is the number of rows in the window.

RETURN VALUE

None.

SEE ALSO

`glHScroll`, `glLeft1`

```
void glUp1(int left, int top, int cols, int rows);
```

Scrolls byte-aligned window up one pixel, bottom column is filled by current pixel type (color).

PARAMETERS

left is the upper left corner of bitmap, must be evenly divisible by 8.

top is the left top corner of the bitmap.

cols is the number of columns in the window, must be evenly divisible by 8.

rows is the number of rows in the window.

RETURN VALUE

None.

SEE ALSO

`glVScroll`, `glDown1`

```
void glDown1(int left, int top, int cols, int rows);
```

Scrolls byte-aligned window down one pixel, top column is filled by current pixel type (color).

PARAMETERS

left is the upper left corner of bitmap, must be evenly divisible by 8.

top is the left top corner of the bitmap.

cols is the number of columns in the window, must be evenly divisible by 8.

rows is the number of rows in the window.

RETURN VALUE

None.

SEE ALSO

`glVScroll`, `glUp1`

```
void glHScroll(int left, int top, int cols,  
int rows, int nPix);
```

Scrolls right or left, within the defined window by x number of pixels. The opposite edge of the scrolled window will be filled in with white pixels. The window must be byte-aligned.

Parameters will be verified for the following:

1. The **left** and **cols** parameters will be verified that they are evenly divisible by 8. If not, they will be changed to a value that is a multiple of 8.
2. Parameters will be checked to verify that the scrolling area is valid. The minimum scrolling area is a width of 8 pixels and a height of one row.

PARAMETERS

left is the upper left corner of bitmap, must be evenly divisible by 8.

top is the left top corner of the bitmap.

cols is the number of columns in the window, must be evenly divisible by 8.

rows is the number of rows in the window.

nPix is the number of pixels to scroll within the defined window (a negative value will produce a scroll to the left).

RETURN VALUE

None.

SEE ALSO

`glVScroll`

```
void glVScroll(int left, int top, int cols,
               int rows, int nPix);
```

Scrolls up or down, within the defined window by x number of pixels. The opposite edge of the scrolled window will be filled in with white pixels. The window must be byte-aligned.

Parameters will be verified for the following:

1. The **left** and **cols** parameters will be verified that they are evenly divisible by 8. If not, they will be changed to a value that is a multiple of 8.
2. Parameters will be checked to verify that the scrolling area is valid. The minimum scrolling area is a width of 8 pixels and a height of one row.

PARAMETERS

left is the upper left corner of bitmap, must be evenly divisible by 8.

top is the left top corner of the bitmap.

cols is the number of columns in the window, must be evenly divisible by 8.

rows is the number of rows in the window.

nPix is the number of pixels to scroll within the defined window (a negative value will produce a scroll up).

RETURN VALUE

None.

SEE ALSO

`glHScroll`

```
void glXPutBitmap(int left, int top, int width,
                  int height, unsigned long bitmap);
```

Draws bitmap in the specified space. The data for the bitmap are stored in **xmem**. This function calls `glXPutFastmap` automatically if the bitmap is byte-aligned (the left edge and the width are each evenly divisible by 8).

Any portion of a bitmap image or character that is outside the LCD display area will be clipped.

PARAMETERS

left is the upper left corner of the bitmap.

top is the upper left corner of the bitmap.

width is the width of the bitmap.

height is the height of the bitmap.

bitmap is the address of the bitmap in **xmem**.

RETURN VALUE

None.

SEE ALSO

`glXPutFastmap`, `glPrintf`

```
void glXPutFastmap(int left, int top, int width,
                  int height, unsigned long bitmap);
```

Draws bitmap in the specified space. The data for the bitmap are stored in **xmem**. This function is like **glXPutBitmap**, except that it is faster. The restriction is that the bitmap must be byte-aligned.

Any portion of a bitmap image or character that is outside the LCD display area will be clipped.

PARAMETERS

left is the upper left corner of the bitmap, must be evenly divisible by 8.

top is the upper left corner of the bitmap.

width is the width of the bitmap, must be evenly divisible by 8.

height is the height of the bitmap.

bitmap is the address of the bitmap in **xmem**.

RETURN VALUE

None.

SEE ALSO

glXPutBitmap, **glPrintf**

```
int TextWindowFrame(windowFrame *window,
                   fontInfo *pFont, int x, int y, int winWidth,
                   int winHeight)
```

Defines a text-only display window. This function provides a way to display characters within the text window using only character row and column coordinates. The text window feature provides end-of-line wrapping and clipping after the character in the last column and row is displayed.

NOTE: Execute the **TextWindowFrame** function before other **Text...** functions.

PARAMETERS

***window** is a window frame descriptor pointer.

***pFont** is a font descriptor pointer.

x is the x coordinate of where the text window frame is to start.

y is the y coordinate of where the text window frame is to start.

winWidth is the width of the text window frame.

winHeight is the height of the text window frame.

RETURN VALUE

0—window frame was successfully created.

-1—x coordinate + width has exceeded the display boundary.

-2—y coordinate + height has exceeded the display boundary.

```
void TextGotoXY(windowFrame *window, int col,  
int row);
```

Sets the cursor location on the display of where to display the next character. The display location is based on the height and width of the character to be displayed.

NOTE: Execute the `TextWindowFrame` function before using this function.

PARAMETERS

`*window` is a pointer to a font descriptor.

`col` is a character column location.

`row` is a character row location.

RETURN VALUE

None.

SEE ALSO

`TextPutChar`, `TextPrintf`, `TextWindowFrame`

```
void TextCursorPosition(windowFrame *window,  
int *col, int *row);
```

Gets the current cursor location that was set by a Graphic `Text...` function.

NOTE: Execute the `TextWindowFrame` function before using this function.

PARAMETERS

`*window` is a pointer to a font descriptor.

`*col` is a pointer to cursor column variable.

`*row` is a pointer to cursor row variable.

RETURN VALUE

Lower word = Cursor Row location

Upper word = Cursor Column location

SEE ALSO

`TextGotoXY`, `TextPrintf`, `TextWindowFrame`, `TextCursorPosition`

```
void TextPutChar(struct windowFrame *window, char ch);
```

Displays a character on the display where the cursor is currently pointing. If any portion of a bitmap character is outside the LCD display area, the character will not be displayed.

NOTE: Execute the `TextWindowFrame` function before using this function.

PARAMETERS

`*window` is a pointer to a font descriptor.

`ch` is a character to be displayed on the LCD.

RETURN VALUE

None.

SEE ALSO

`TextGotoXY`, `TextPrintf`, `TextWindowFrame`, `TextCursorPosition`

```
void TextPrintf(struct windowFrame *window,  
char *fmt, ...);
```

Prints a formatted string (much like **printf**) on the LCD screen. Only printable characters in the font set are printed, also escape sequences, '\r' and '\n' are recognized. All other escape sequences will be skipped over; for example, '\b' and '\t' will print if they exist in the font set, but will not have any effect as control characters.

The text window feature provides end-of-line wrapping and clipping after the character in the last column and row is displayed.

NOTE: Execute the **TextWindowFrame** function before using this function.

PARAMETERS

***window** is a pointer to a font descriptor.

***fmt** is a formatted string.

... are formatted string conversion parameter(s).

EXAMPLE

```
TextPrintf(&TextWindow, "Test %d\n", count);
```

RETURN VALUE

None.

SEE ALSO

TextGotoXY, TextPutChar, TextWindowFrame, TextCursorPosition

C.7.3 Keypad

The functions used to control the keypad are contained in the **KEYPAD7.LIB** library located in the Dynamic C **KEYPADS** library directory.

```
void keyInit(void);
```

Initializes keypad process

RETURN VALUE

None.

SEE ALSO

brdInit

```
void keyConfig(char cRaw, char cPress,  
char cRelease, char cCntHold, char cSpdLo,  
char cCntLo, char cSpdHi);
```

Assigns each key with key press and release codes, and hold and repeat ticks for auto repeat and debouncing.

PARAMETERS

cRaw is a raw key code index.

1x7 keypad matrix with raw key code index assignments (in brackets):

[0]	[1]	[2]	[3]
[4]	[5]	[6]	

User Keypad Interface

cPress is a key press code

An 8-bit value is returned when a key is pressed.

0 = Unused.

See **keypadDef ()** for default press codes.

cRelease is a key release code.

An 8-bit value is returned when a key is pressed.

0 = Unused.

cCntHold is a hold tick.

How long to hold before repeating.

0 = No Repeat.

cSpdLo is a low-speed repeat tick.

How many times to repeat.

0 = None.

cCntLo is a low-speed hold tick.

How long to hold before going to high-speed repeat.

0 = Slow Only.

`cSpdHi` is a high-speed repeat tick.

How many times to repeat after low speed repeat.

0 = None.

RETURN VALUE

None.

SEE ALSO

`keyProcess`, `keyGet`, `keypadDef`

```
void keyProcess(void);
```

Scans and processes keypad data for key assignment, debouncing, press and release, and repeat.

NOTE: This function is also able to process an 8×8 matrix keypad.

RETURN VALUE

None

SEE ALSO

`keyConfig`, `keyGet`, `keypadDef`

```
char keyGet(void);
```

Get next keypress

RETURN VALUE

The next keypress, or 0 if none

SEE ALSO

`keyConfig`, `keyProcess`, `keypadDef`

```
int keyUnget(char cKey);
```

Push keypress on top of input queue

PARAMETER

`cKey`

RETURN VALUE

None.

SEE ALSO

`keyGet`

void keypadDef();

Configures the physical layout of the keypad with the desired ASCII return key codes.

Keypad physical mapping 1 × 7

0	4	1	5	2	6	3
['L']		['U']		['D']		['R']
	['-']		['+']		['E']	

where

'E' represents the ENTER key

'D' represents Down Scroll

'U' represents Up Scroll

'R' represents Right Scroll

'L' represents Left Scroll

Example: Do the following for the above physical vs. ASCII return key codes.

```
keyConfig ( 3, 'R', 0, 0, 0, 0, 0 );
keyConfig ( 6, 'E', 0, 0, 0, 0, 0 );
keyConfig ( 2, 'D', 0, 0, 0, 0, 0 );
keyConfig ( 4, '-', 0, 0, 0, 0, 0 );
keyConfig ( 1, 'U', 0, 0, 0, 0, 0 );
keyConfig ( 5, '+', 0, 0, 0, 0, 0 );
keyConfig ( 0, 'L', 0, 0, 0, 0, 0 );
```

Characters are returned upon keypress with no repeat.

RETURN VALUE

None.

SEE ALSO

`keyConfig`, `keyGet`, `keyProcess`

void keyScan(char *pcKeys);

Writes "1" to each row and reads the value. The position of a keypress is indicated by a zero value in a bit position.

PARAMETER

***pcKeys** is the address of the value read.

RETURN VALUE

None.

SEE ALSO

`keyConfig`, `keyGet`, `keypadDef`, `keyProcess`

C.8 Sample Programs

Sample programs illustrating the use of the LCD/keypad module with the Prototyping Board are provided in the `SAMPLES\RCM3200` directory.

These sample programs use the auxiliary I/O bus on the Rabbit 3000 chip, and so the `#define PORTA_AUX_IO` line is already included in the sample programs.

APPENDIX D. POWER SUPPLY

Appendix D provides information on the current requirements of the RCM3200, and includes some background on the chip select circuit used in power management.

D.1 Power Supplies

The RCM3200 requires a regulated $3.3\text{ V} \pm 0.15\text{ V}$ DC power source. The RabbitCore design presumes that the voltage regulator is on the user board, and that the power is made available to the RCM3200 board through header J2.

An RCM3200 with no loading at the outputs operating at 29.4 MHz typically draws 145 mA. The RCM3200 will consume an additional 10 mA when the programming cable is used to connect the programming header, J3, to a PC.

D.1.1 Battery-Backup Circuits

The RCM3200 does not have a battery, but there is provision for a customer-supplied battery to back up the data SRAM and keep the internal Rabbit 3000 real-time clock running.

Header J2, shown in Figure D-1, allows access to the external battery. This header makes it possible to connect an external 3 V power supply. This allows the SRAM and the internal Rabbit 3000 real-time clock to retain data with the RCM3200 powered down.

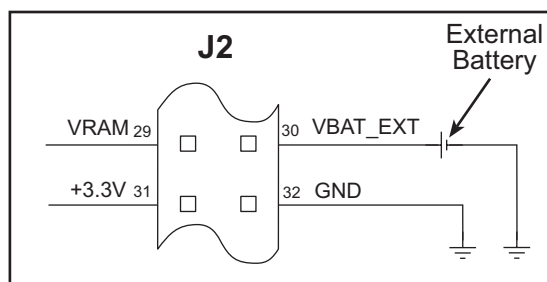


Figure D-1. External Battery Connections at Header J5

A lithium battery with a nominal voltage of 3 V and a minimum capacity of 165 mA·h is recommended. A lithium battery is strongly recommended because of its nearly constant nominal voltage over most of its life.

The drain on the battery by the RCM3200 is typically 12 μA when no other power is supplied. If a 165 mA·h battery is used, the battery can last almost 2 years:

$$\frac{165 \text{ mA}\cdot\text{h}}{12 \text{ }\mu\text{A}} = 1.6 \text{ years.}$$

The actual life in your application will depend on the current drawn by components not on the RCM3200 and the storage capacity of the battery. Note that the shelf life of a lithium ion battery is ultimately 10 years. The RCM3200 does not drain the battery while it is powered up normally.

D.1.2 Reset Generator

The RCM3200 uses a reset generator to reset the Rabbit 3000 microprocessor when the voltage drops below the voltage necessary for reliable operation. The reset occurs between 2.85 V and 3.00 V, typically 2.93 V. The RCM3200 has a reset output, pin 1 on header J2.

D.2 Optional +5 V Output

The RCM3200 boards have an onboard charge pump that provides the +5 V needed by the RealTek Ethernet chip.



APPENDIX E. PROGRAMMING CABLE

Appendix E provides additional information for the Rabbit 3000[®] microprocessor when using the **DIAG** and **PROG** connectors on the programming cable. The **PROG** connector is used only when the programming cable is attached to the programming connector (header J3) while a new application is being developed. Otherwise, the **DIAG** connector on the programming cable allows the programming cable to be used as an RS-232 to CMOS level converter for serial communication, which is appropriate for monitoring or debugging a RabbitCore system while it is running.

The programming port, which is shown in Figure E-1, can serve as a convenient communications port for field setup or other occasional communication need (for example, as a diagnostic port). If the port is simply to perform a setup function, that is, write setup information to flash memory, then the controller can be reset through the programming port and a cold boot performed to start execution of a special program dedicated to this functionality.

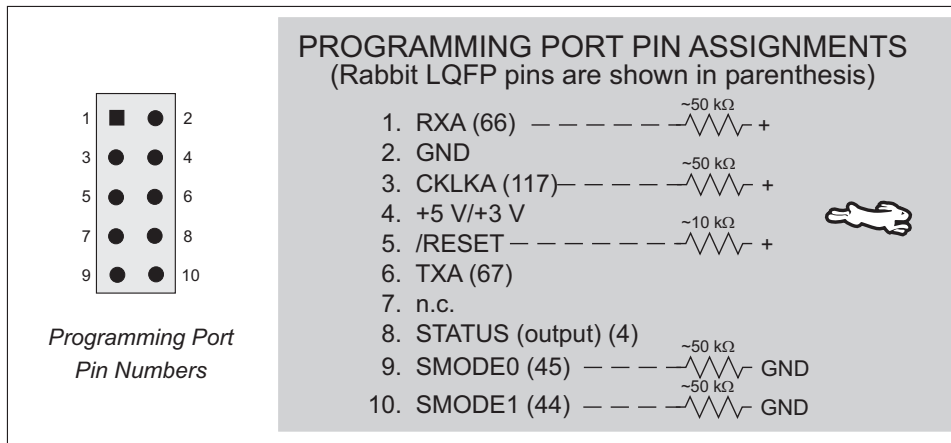


Figure E-1. Programming Port Pin Assignments

When the **PROG** connector is used, the /RESET line can be asserted by manipulating DTR and the STATUS line can be read as DSR on the serial port. The target can be restarted by pulsing reset and then, after a short delay, sending a special character string at 2400 bps. To simply restart the BIOS, the string 80h, 24h, 80h can be sent. When the BIOS is started, it can tell whether the programming cable is connected because the SMODE1 and SMODE0 pins are sensed as being high.

Alternatively, the **DIAG** connector can be used to connect the programming port. The /RESET line and the SMODE1 and SMODE0 pins are not connected to this connector. The programming port is then enabled as a diagnostic port by polling the port periodically to see if communication needs to begin or to enable the port and wait for interrupts. The pull-up resistors on RXA and CLKA prevent spurious data reception that might take place if the pins floated.

If the clocked serial mode is used, the serial port can be driven by having two toggling lines that can be driven and one line that can be sensed. This allows a conversation with a device that does not have an asynchronous serial port but that has two output signal lines and one input signal line.

The line TXA (also called PC6) is zero after reset if the cold-boot mode is not enabled. A possible way to detect the presence of a cable on the programming port is for the cable to connect TXA to one of the SMODE pins and then test for the connection by raising PC6 (by configuring it as a general output bit) and reading the SMODE pin after the cold-boot mode has been disabled. The value of the SMODE pin is read from the SPCR register.

Once you establish that the programming port will never again be needed for programming, it is possible to use the programming port for additional I/O lines. Table E-1 lists the pins available for this alternate configuration.

Table E-1. RCM3200 Programming Port Pinout Configurations

Pin	Pin Name	Default Use	Alternate Use	Notes	
Header J3	1	RXA	Serial Port A	PC7—Input	
	2	GND			
	3	CLKA		PB1—Bitwise or parallel programmable input	
	4	VCC			
	5	RESET			Connected to reset generator U4
	6	TXA	Serial Port A	PC6—Output	
	8	STATUS		Output	
	9	SMODE0		Input	Must be low when RCM3200 boots up
	10	SMODE1		Input	Must be low when RCM3200 boots up



APPENDIX F. MOTOR CONTROL OPTION

The Prototyping Board has a header at J6 for a motor control option. While Z-World and Rabbit Semiconductor do not support this option at this time, this appendix provides additional information about Parallel Port F on the Rabbit 3000 microprocessor to enable you to use this feature on the Prototyping Board for your needs.

F.1 Overview

The Parallel Port F connector on the Prototyping Board, J6, gives access to all 8 pins of Parallel Port F, along with +5 V. This appendix describes the function of each pin, and the ways they may be used for motion-control applications. It should be read in conjunction with the *Rabbit 3000 Microprocessor User's Manual* and the RCM3200 and the Prototyping Board schematics.

F.2 Header J6

The connector is a 2×5 , 0.1" pitch header suitable for connecting to a IDC receptacle, with the following pin allocations.

Table F-1. Prototyping Board Header J6 Pinout

Pin	Rabbit 3000	Primary Function	Alternate Function 1	Alternate Function 2
1	Parallel Port F, bit 0	General-purpose I/O port	Quadrature decoder 1 Q input	SCLK_D
2	Parallel Port F, bit 1	General-purpose I/O port	Quadrature decoder 1 I input	SCLK_C
3	Parallel Port F, bit 2	General-purpose I/O port	Quadrature decoder 2 Q input	-
4	Parallel Port F, bit 3	General-purpose I/O port	Quadrature decoder 2 I input	-
5	Parallel Port F, bit 4	General-purpose I/O port	PWM[0] output	Quadrature decoder 1 Q input
6	Parallel Port F, bit 5	General-purpose I/O port	PWM[1] output	Quadrature decoder 1 I input
7	Parallel Port F, bit 6	General-purpose I/O port	PWM[2] output	Quadrature decoder 2 Q input
8	Parallel Port F, bit 7	General-purpose I/O port	PWM[3] output	Quadrature decoder 2 I input
9	+5 V	External buffer logic supply		
10	0 V	Common		

All Parallel Port F lines (pins 1 to 8) are pulled up internally to +3.3 V via 100 k Ω resistors. When used as outputs, the port pins will sink up to 6 mA at a V_{OL} of 0.4 V max. (0.2 V typ), and source up to 6 mA at a V_{OH} of 2.2 V typ. When used as inputs, all pins are 5 V tolerant.

As the outputs from Parallel Port F are compatible with 3.3 V logic, buffers may be needed when the external circuit drive requirements exceed the 2.2 V typ logic high and/or the 6 mA maximum from the Rabbit 3000. The +5 V supply output is provided for supplying interface logic. When used as inputs, the pins on header J6 do not require buffers unless the input voltage will exceed the 5 V tolerance of the processor pins. Usually, a simple resistive divider with catching diodes will suffice if higher voltage inputs are required. If the outputs are configured for open-drain operation, they may be pulled up to +5 V (while observing the maximum current, of course).

F.3 Using Parallel Port F

Parallel Port F is a byte-wide port with each bit programmable for data direction and drive. These are simple inputs and outputs controlled and reported in the Port F Data Register. As outputs, the bits of the port are buffered, with the data written to the Port F Data Register transferred to the output pins on a selected timing edge. The outputs of Timer A1, Timer B1, or Timer B2 can be used for this function, with each nibble of the port having a separate select field to control this timing. These inputs and outputs are also used for access to other peripherals on the chip.

As outputs, Parallel Port F can carry the four Pulse Width Modulator outputs on PF4–PF 7 (J6, pins 5–8). As inputs, Parallel Port F can carry the inputs to the Quadrature Decoders on PF0–PF3 (J6, pins 1–4). When Serial Port C or Serial Port D is used in clocked serial mode, two pins of Port F (PF0 / J6:1 and PF1 / J6:2) are used to carry the serial clock signals. When the internal clock is selected in these serial ports, the corresponding bit of Parallel Port F is set as an output.

F.3.1 Parallel Port F Registers

Data Direction Register—**PFDDR**, address 00111111 (0x3F), write-only, default value on reset 00000000. For each bit position, write a 1 to make the corresponding port line an output, or 0 to produce an input.

Drive Control Register—**PFDCR**, address 00111110 (0x3E), Write-only, no default on reset (port defaults to all inputs). Effective only if the corresponding port bits are set as outputs, each bit set to 1 configures the corresponding port bit as open drain. Setting the bit to 0 configures that output as active high or low.

Function Register—**PFFR**, address 00111101 (0x3D), Write-only, no default on reset. This register sets the alternate output function assigned to each of the pins of the port. When set to 0, the corresponding port pin functions normally as an output (if configured to be an output in **PFDDR**). When set to 1, each bit sets the corresponding pin to have the alternate output function as shown in the summary table at the end of this section.

Control Register—**PFCCR**, address 00111100 (0x3C), Write-only, default on reset xx00xx00. This register sets the transfer clock, which controls the timing of the outputs on each nibble of the output ports to allow close synchronization with other events. The summary table at the end of this section shows the settings for this register. The default values on reset transfer the output values on **CLK/2**.

Data Register—**PFDR**, address 00111000 (0x38), Read or Write, no default value on reset. On read, the current state of the pins is reported. On write, the output buffer is written with the value for transfer to the output port register on the next rising edge of the transfer clock, set in the **PFCCR**.

Table F-2. Parallel Port F Registers

Register Name	Mnemonic	I/O Address	R/W	Reset Value
Port F Data Register	PFDR	00111000 (0x38)	R/W	xxxxxxx
Bits	Value	Description		
0:7	Read	Current state of pins		
	Write	Port buffer. Value transferred to O/P register on next rising edge of transfer clock.		
Port F Control Register	PFCR	00111100 (0x3C)	W only	xx00xx00
Bits	Value	Description		
0:1	00	Lower nibble transfer clock is CLK/2		
	01	Lower nibble transfer clock is Timer A1		
	10	Lower nibble transfer clock is Timer B1		
	11	Lower nibble transfer clock is Timer B2		
2:3	xx	These bits are ignored		
4:5	00	Upper nibble transfer clock is CLK/2		
	01	Upper nibble transfer clock is Timer A1		
	10	Upper nibble transfer clock is Timer B1		
	11	Upper nibble transfer clock is Timer B2		
6:7	xx	These bits are ignored		
Port F Function Register	PFFR	00111101 (0x3D)	W	xxxxxxx
Bits	Value	Description		
0:7	0	Corresponding port bits function normally		
0	1	Bit 0 carries SCLK_D		
1	1	Bit 1 carries SCLK_C		
2:3	x	No effect		
4	1	Bit 4 carries PWM[0] output		
5	1	Bit 5 carries PWM[1] output		
6	1	Bit 6 carries PWM[2] output		
7	1	Bit 7 carries PWM[3] output		
Port F Drive Control Register	PFDCR	00111110 (0x3E)	W	xxxxxxx
Bits	Value	Description		
0:7	0	Corresponding port bit is active high or low		
	1	Corresponding port bit is open drain		

Table F-2. Parallel Port F Registers (continued)

Register Name	Mnemonic	I/O Address	R/W	Reset Value
Port F Data Direction Register	PFDDR	00111111 (0x3F)	W	00000000
Bits	Value	Description		
0:7	0	Corresponding port bit is an input		
	1	Corresponding port bit is an output		

F.4 PWM Outputs

The Pulse-Width Modulator consists of a 10-bit free-running counter and four width registers. Each PWM output is high for $n + 1$ counts out of the 1024-clock count cycle, where n is the value held in the width register. The PWM output high time can optionally be spread throughout the cycle to reduce ripple on the externally filtered PWM output. The PWM is clocked by the output of Timer A9. The spreading function is implemented by dividing each 1024-clock cycle into four quadrants of 256 clocks each. Within each quadrant, the Pulse-Width Modulator uses the eight MSBs of each pulse-width register to select the base width in each of the quadrants. This is the equivalent to dividing the contents of the pulse-width register by four and using this value in each quadrant. To get the exact high time, the Pulse-Width Modulator uses the two LSBs of the pulse-width register to modify the high time in each quadrant according to Table F-3 below. The “ $n/4$ ” term is the base count, and is formed from the eight MSBs of the pulse-width register.

Table F-3. PWM Outputs

Pulse Width LSBs	1st	2nd	3rd	4th
00	$n/4 + 1$	$n/4$	$n/4$	$n/4$
01	$n/4 + 1$	$n/4$	$n/4 + 1$	$n/4$
10	$n/4 + 1$	$n/4 + 1$	$n/4 + 1$	$n/4$
11	$n/4 + 1$	$n/4 + 1$	$n/4 + 1$	$n/4 + 1$

The diagram below shows a PWM output for several different width values for both modes of operation. Operation in the spread mode reduces the filtering requirements on the PWM output in most cases.

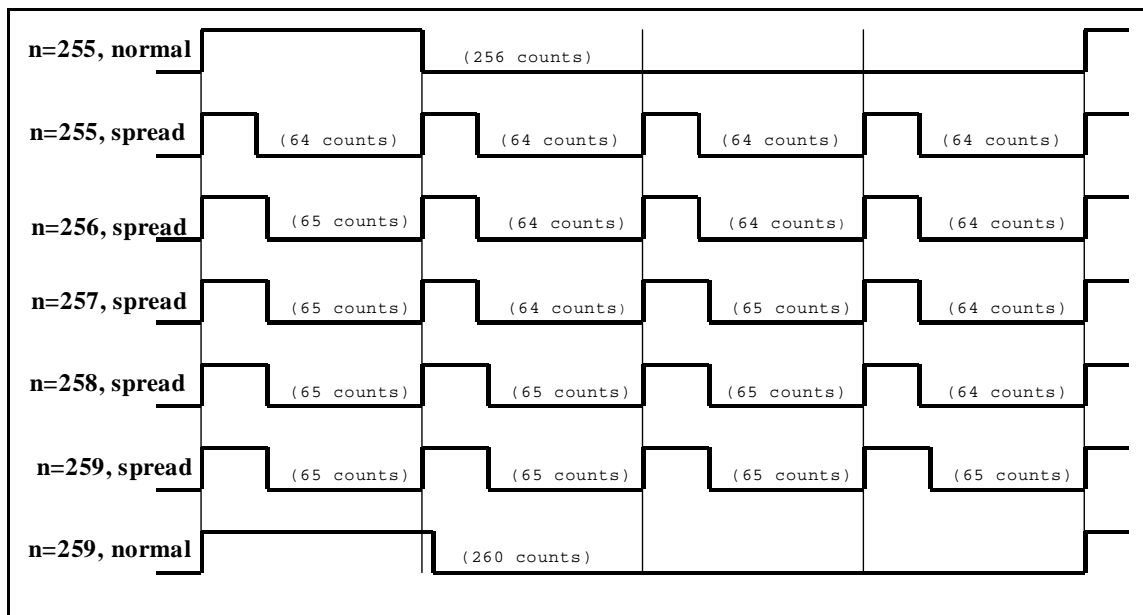


Figure F-1. PWM Outputs for Various Normal and Spread Modes

F.5 PWM Registers

There are no default values on reset for any of the PWM registers.

Table F-4. PWM Registers

PWM LSBs	Register	Address
	PWL0R	10001000 (0x88)
	PWL1R	10001010 (0x8A)
	PWL2R	10001100 (0x8C)
	PWL3R	10001110 (0x8E)
Bit(s)	Value	Description
7:6	Write	The least significant two bits for the Pulse Width Modulator count are stored
5:1		These bits are ignored.
0	0	PWM output High for single block.
	1	Spread PWM output throughout the cycle
PWM MSB x	Register	Address
	PWM0R	Address = 10001001 (0x89)
	PWM1R	Address = 10001011 (0x8B)
	PWM2R	Address = 10001101 (0x8D)
	PWM3R	Address = 10001111 (0x8F)
Bit(s)	Value	Description
7:0	write	The most significant eight bits for the Pulse-Width Modulator count are stored With a count of n , the PWM output will be high for $n + 1$ clocks out of the 1024 clocks of the PWM counter.

F.6 Quadrature Decoder

The two-channel Quadrature Decoder accepts inputs via Parallel Port F from two external optical incremental encoder modules. Each channel of the Quadrature Decoder accepts an in-phase (I) and a quadrature-phase (Q) signal, and provides 8-bit counters to track shaft rotation and provide interrupts when the count goes through the zero count in either direction. The Quadrature Decoder contains digital filters on the inputs to prevent false counts and is clocked by the output of Timer A10. Each Quadrature Decoder channel accepts inputs from either the upper nibble or lower nibble of Parallel Port F. The I signal is input on an odd-numbered port bit, while the Q signal is input on an even-numbered port bit. There is also a disable selection, which is guaranteed not to generate a count increment or decrement on either entering or exiting the disable state. The operation of the counter as a function of the I and Q inputs is shown below.

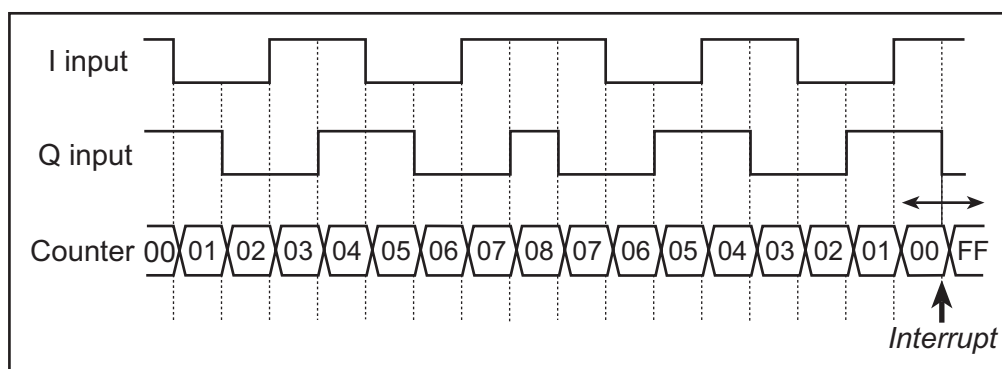
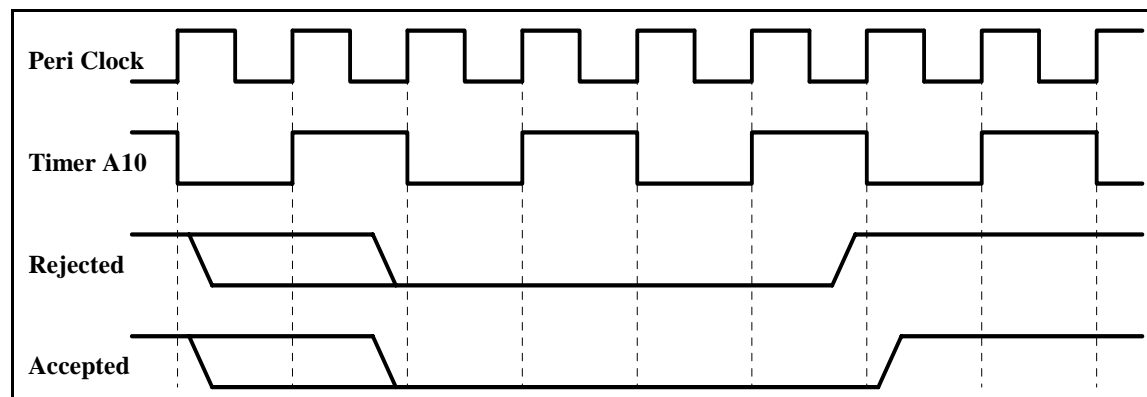


Figure F-2. Operation of Quadrature Decoder Counter

The Quadrature Decoders are clocked by the output of Timer A10, giving a maximum clock rate of one-half of the peripheral clock rate. The time constant of Timer A10 must be fast enough to sample the inputs properly. Both the I and Q inputs go through a digital filter that rejects pulses shorter than two clock periods wide. In addition, the clock rate must be high enough that transitions on the I and Q inputs are sampled in different clock cycles. The Input Capture (see the *Rabbit 3000 Microprocessor Users Manual*) may be used to measure the pulse width on the I inputs because they come from the odd-numbered port bits. The operation of the digital filter is shown below.



The Quadrature Decoder generates an interrupt when the counter increments from 0x00 to 0x01 or when the counter decrements from 0x00 to 0xFF. Note that the status bits in the QDCSR are set coincident with the interrupt, and the interrupt (and status bits) are cleared by reading the QDCSR.

Table F-5. Quadrature Decoder Registers

Register Name	Mnemonic	Address
Quad Decode Control/Status Register	QDCSR	10010000 (0x90)
Bit	Value	Description
7 (rd-only)	0	Quadrature Decoder 2 did not increment from 0xFF.
	1	Quadrature Decoder 2 incremented from 0xFF to 0x00. This bit is cleared by a read of this register.
6 (rd-only)	0	Quadrature Decoder 2 did not decrement from 0x00.
	1	Quadrature Decoder 2 decremented from 0x00 to 0xFF. This bit is cleared by a read of this register.
5	0	This bit always reads as zero.
4 (wr-only)	0	No effect on the Quadrature Decoder 2.
	1	Reset Quadrature Decoder 2 to 0x00, without causing an interrupt.
3 (rd-only)	0	Quadrature Decoder 1 did not increment from 0xFF.
	1	Quadrature Decoder 1 incremented from 0xFF to 0x00. This bit is cleared by a read of this register.
2 (rd-only)	0	Quadrature Decoder 1 did not decrement from 0x00.
	1	Quadrature Decoder 1 decremented from 0x00 to 0xFF. This bit is cleared by a read of this register.
1	0	This bit always reads as zero.
Bit	Value	Description
0 (wr-only)	0	No effect on the Quadrature Decoder 1.
	1	Reset Quadrature Decoder 1 to 0x00, without causing an interrupt.

Table F-5. Quadrature Decoder Registers (continued)

Register Name	Mnemonic	Address
Quad Decode Control Register	QDCR	Address = 10010001 (0x91)
Bit	Value	Description
7:6	0x	Disable Quadrature Decoder 2 inputs. Writing a new value to these bits will not cause Quadrature Decoder 2 to increment or decrement.
	10	Quadrature Decoder 2 inputs from Port F bits 3 and 2.
	11	Quadrature Decoder 2 inputs from Port F bits 7 and 6.
5:4	xx	These bits are ignored.
3:2	0x	Disable Quadrature Decoder 1 inputs. Writing a new value to these bits will not cause Quadrature Decoder 1 to increment or decrement.
	10	Quadrature Decoder 1 inputs from Port F bits 1 and 0.
	11	Quadrature Decoder 1 inputs from Port F bits 5 and 4.
1:0	0	Quadrature Decoder interrupts are disabled.
	1	Quadrature Decoder interrupt use Interrupt Priority 1.
	10	Quadrature Decoder interrupt use Interrupt Priority 2.
	11	Quadrature Decoder interrupt use Interrupt Priority 3.
Quad Decode Count Register	QDC1R	Address = 10010100 (0x94)
	(QDC2R)	Address = 10010110 (0x96)
Bit(s)	Value	Description
7:0	read	The current value of the Quadrature Decoder counter is reported.



NOTICE TO USERS

Z-WORLD PRODUCTS ARE NOT AUTHORIZED FOR USE AS CRITICAL COMPONENTS IN LIFE-SUPPORT DEVICES OR SYSTEMS UNLESS A SPECIFIC WRITTEN AGREEMENT REGARDING SUCH INTENDED USE IS ENTERED INTO BETWEEN THE CUSTOMER AND Z-WORLD PRIOR TO USE. Life-support devices or systems are devices or systems intended for surgical implantation into the body or to sustain life, and whose failure to perform, when properly used in accordance with instructions for use provided in the labeling and user's manual, can be reasonably expected to result in significant injury.

No complex software or hardware system is perfect. Bugs are always present in a system of any size. In order to prevent danger to life or property, it is the responsibility of the system designer to incorporate redundant protective mechanisms appropriate to the risk involved.

All Z-World products are 100 percent functionally tested. Additional testing may include visual quality control inspections or mechanical defects analyzer inspections. Specifications are based on characterization of tested sample units rather than testing over temperature and voltage of each unit. Z-World products may qualify components to operate within a range of parameters that is different from the manufacturer's recommended range. This strategy is believed to be more economical and effective. Additional testing or burn-in of an individual unit is available by special arrangement.

INDEX

A

additional information
 Getting Started manual 3
 online documentation 3
auxiliary I/O bus 11

B

battery backup
 battery life 72
 external battery connections 71
 reset generator 72
bus loading 28

C

clock doubler 15
conformal coating 33

D

Development Kit
 RCM3200 2
digital I/O 6
 I/O buffer sourcing and sinking limits 32
 memory interface 11
 SMODE0 11, 13
 SMODE1 11, 13
dimensions
 LCD/keypad module 41
 LCD/keypad template 44
 Prototyping Board 36
 RCM3200 24
Dynamic C 17
 telephone-based technical support 21
 upgrades and patches 21

E

Ethernet port 12
 pinout 12
exclusion zone 25

F

features 1
flash memory addresses
 user blocks 16

I

I/O address assignments
 LCD/keypad module 45
I/O buffer sourcing and sinking limits 32

J

jumper configurations 34
 JP1 (auxiliary I/O data bus) 34
 JP2 (program execution SRAM size) 34
 JP3 (flash memory size) 34
 JP4 (flash memory bank select) 16, 34
 JP5 (data SRAM size) 34
jumper locations 34

K

keypad template 44
 removing and inserting label 44

L

LCD/keypad module
 bezel-mount installation 47
 dimensions 41
 header pinout 45
 I/O address assignments 45
 keypad template 44
 mounting instructions 46
 remote cable connection ... 49
 removing and inserting keypad label 44
 sample programs 70
 voltage settings 43

M

manuals 3
motor control option
 quadrature decoder 84
mounting instructions
 LCD/keypad module 46

P

physical mounting 27
pinout
 Ethernet port 12
 LCD/keypad module 45
 programming cable 74
 Prototyping Board 38
 RCM3200
 alternate configurations 8, 75
 RCM3200 headers 6
power supplies
 +3.3 V 71
 battery backup 71
 optional +5 V output 72
Program Mode 14
 switching modes 14
programming cable 73, 77
 DIAG connector 74
 pinout 74
programming port 13
 alternate pinout configurations 75
 used as diagnostic port 74
 via motherboard 13
Prototyping Board
 adding RS-232 transceiver 39
 dimensions 36
J6
 pinout 78
 pinout 38
 power supply 37
 prototyping area 38
 specifications 37
PWM outputs 82
PWM registers 83

Q

quadrature decoder 84
quadrature decoder registers .85

R

Rabbit 3000
 data and clock delays 30
 Parallel Port F Registers 79
 Parallel Port F registers 80
 PWM outputs 82
 PWM registers 83
 quadrature decoder regis-
 ters 85
 spectrum spreader time delays
 30
Rabbit subsystems 7
Run Mode 14
 switching modes 14

S

sample programs
 LCD/keypad module 70
 serial communication 12
 serial ports 12
 Ethernet port 12
 programming port 13
 software
 auxiliary I/O bus 11, 19, 50
 board initialization 18
 brdInit 18
 I/O drivers 19
 keypad
 keyConfig 67
 keyGet 68
 keyInit 67
 keypadDef 69
 keyProcess 68
 keyScan 69
 keyUnget 68

LCD display

 glBackLight 51
 glBlankScreen 52
 glBlock 53
 glBuffLock 59
 glBuffUnlock 59
 glDispOnOff 51
 glDown1 62
 glFillCircle 55
 glFillPolygon 55
 glFillScreen 52
 glFillVPolygon 54
 glFontCharAddr 56
 glGetBrushType 60
 glGetPfStep 57
 glHScroll 62
 glInit 51
 glLeft1 61
 glPlotCircle 55
 glPlotDot 60
 glPlotLine 60
 glPlotPolygon 54
 glPlotVPolygon 53
 glPrintf 58
 glPutChar 58
 glPutFont 57
 glRight1 61
 glSetBrushType 59
 glSetContrast 52
 glSetPfStep 57
 glSwap 59
 glUp1 61
 glVScroll 63
 glXFontInit 56
 glXPutBitmap 63
 glXPutFastmap 64
 TextCursorLocation 65
 TextGotoXY 65
 TextPrintf 66
 TextPutChar 65
 TextWindowFrame 64

LCD/keypad module

 ledOut 50
 LCD/keypad module LEDs 50
 libraries
 PACKET.LIB 19
 RCM3200.LIB 50
 RCM32xx.LIB 18
 RS232.LIB 19
 TCP/IP 19
 readUserBlock 16
 sample programs 20
 RCM3200 20
 TCP/IP 20
 serial communication driv-
 ers 19
 TCP/IP drivers 19
 writeUserBlock 16
 specifications 23
 bus loading 28
 digital I/O buffer sourcing and
 sinking limits 32
 dimensions 24
 electrical, mechanical, and en-
 vironmental 26
 exclusion zone 25
 header footprint 27
 headers 27
 LCD/keypad module
 dimensions 41
 electrical 42
 mechanical 42
 temperature 42
 physical mounting 27
 Prototyping Board 37
 Rabbit 3000 DC characteris-
 tics 31
 Rabbit 3000 timing diagram ..
 29
 relative pin 1 locations 27
 spectrum spreader 30
 subsystems
 digital inputs and outputs 6
 switching modes 14



SCHEMATICS

090-0152 RCM3200 Schematic

www.rabbitsemiconductor.com/documentation/schemat/090-0152.pdf

090-0137 Prototyping Board Schematic

www.rabbitsemiconductor.com/documentation/schemat/090-0137.pdf

090-0156 LCD/Keypad Module Schematic

www.rabbitsemiconductor.com/documentation/schemat/090-0156.pdf

090-0128 Programming Cable Schematic

www.rabbitsemiconductor.com/documentation/schemat/090-0128.pdf

The schematics included with the printed manual were the latest revisions available at the time the manual was last revised. The online versions of the manual contain links to the latest revised schematic on the Web site. You may also use the URL information provided above to access the latest schematics directly.

