

Accutek Microcircuit Corporation

AK584096BS / AK584096BG 4,194,304 Word by 8 Bit CMOS Dynamic Random Access Memory

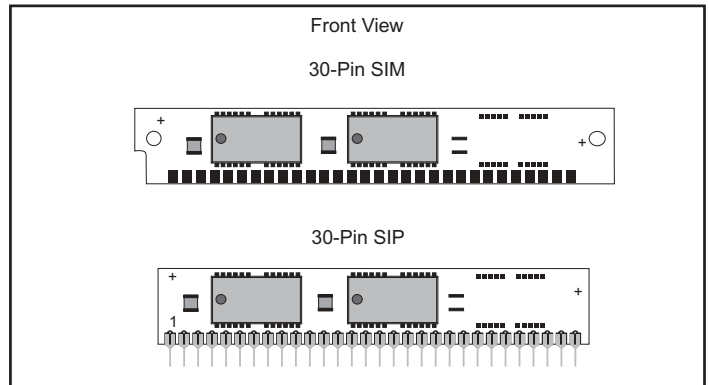
DESCRIPTION

The Accutek AK584096 high density memory module is a CMOS dynamic RAM organized in 4 Meg x 8 bit words. The assembly consists of two 4 Meg x 4 DRAMS, mounted on the front side of a printed circuit board in 30 pad SIM (leadless) or 30 pin SIP (leaded) configuration with JEDEC-standard pinouts. Designed especially for low-height applications such as VMEbus boards, this low profile module is 0.550 inch high.

The operation is identical to eight 4 Meg x 1 DRAMs. The data input/output is brought out separately for each bit, with common $\overline{\text{RAS}}$, $\overline{\text{CAS}}$ and $\overline{\text{WE}}$ control. This common I/O feature dictates the use of early-write cycles to prevent contention of Data In and Data Out. Since the Write-Enable ($\overline{\text{WE}}$) signal must always go low before $\overline{\text{CAS}}$ in a write cycle, Read-Write and Read-Modify-Write operation is not possible.

FEATURES

- 4,194,304 x 8 bit organization
- Low Profile 30 pad (SIM) Single In-Line Memory
- Low Profile 30 pin (SIP) Single In-Line package
- JEDEC standard pinout
- Common $\overline{\text{CAS}}$ and $\overline{\text{RAS}}$ control for eight common DQ Lines
- $\overline{\text{CAS}}$ -before- $\overline{\text{RAS}}$ refresh
- Refresh cycle 2048 cycles in 32 mSEC
- Power
0.095 Watt Max Active, 70 nSEC
1.060 Watt Max Active, 60 nSEC
11.0 mWatt Max Standby
- Operating free air temperature 0°C to 70°C
- Downward compatible with AK581024 and AK58256
- Upward compatible with AK5816384
- Fast Page Mode and Static Column Mode versions available, nibble mode is not possible



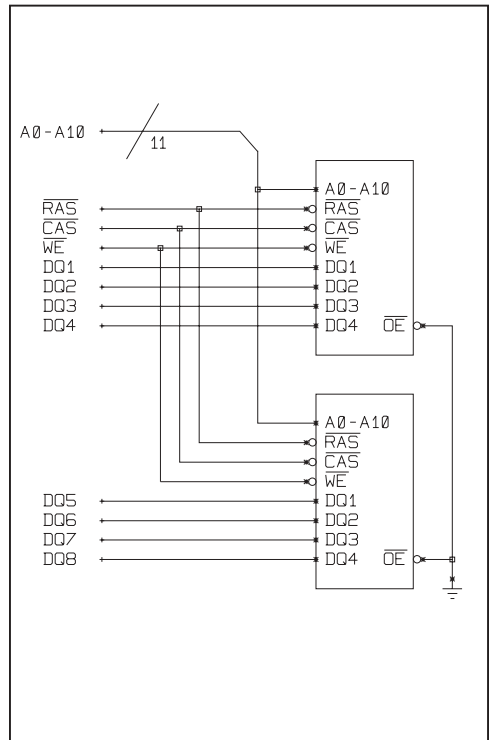
PIN NOMENCLATURE

A ₀ - A ₁₀	Address Inputs
$\overline{\text{RAS}}_0$	Row Address Strobe
$\overline{\text{CAS}}$	Column Address Strobe
$\overline{\text{WE}}$	Write Enable
$\overline{\text{OE}}$	Output Enable
DQ ₁ - DQ ₈	Data In/Data Out
V _{cc}	5v Supply
V _{ss}	Ground
NC	No Connect

PIN ASSIGNMENT

1	V _{cc}	16	DQ5
2	$\overline{\text{CAS}}$	17	A8
3	DQ1	18	A9
4	A0	19	A10
5	A1	20	DQ6
6	DQ2	21	$\overline{\text{WE}}$
7	A2	22	V _{ss}
8	A3	23	DQ7
9	V _{ss}	24	NC
10	DQ3	25	DQ8
11	A4	26	NC
12	A5	27	$\overline{\text{RAS}}_0$
13	DQ4	28	NC
14	A6	29	NC
15	A7	30	V _{cc}

FUNCTIONAL DIAGRAM



MODULE OPTIONS

Leadless SIM: AK584096BS
Leaded SIP: AK584096BG

ORDERING INFORMATION

PART NUMBER CODING INTERPRETATION

Position	1	2	3	4	5	6	7	8															
1 Product	AK = Accuthek Memory																						
2 Type	4 = Dynamic RAM 5 = CMOS Dynamic RAM 6 = Static RAM																						
3 Organization/Word Width	1 = by 1 16 = by 16 4 = by 4 32 = by 32 8 = by 8 36 = by 36 9 = by 9																						
4 Size/Bits Depth	64 = 64K 4096 = 4 MEG 256 = 256K 8192 = 8 MEG 1024 = 1 MEG 16384 = 16 MEG																						
5 Package Type	G = Single In-Line Package (SIP) S = Single In-Line Module (SIM) D = Dual In-Line Package (DIP) W = .050 inch Pitch Edge Connect Z = Zig-Zag In-Line Package (ZIP)																						
6 Special Designation	P = Page Mode N = Nibble Mode K = Static Column Mode W = Write Per Bit Mode V = Video Ram																						
7 Separator	- = Commercial 0°C to +70°C M = Military Equivalent Screened (-55°C to +125°C) I = Industrial Temperature Tested (-45°C to +85°C) X = Burned In																						
8 Speed (first two significant digits)	<table border="0"> <tr> <td>DRAMS</td> <td>SRAMS</td> <td></td> </tr> <tr> <td>50 = 50 nS</td> <td>8 = 8 nS</td> <td></td> </tr> <tr> <td>60 = 60 nS</td> <td>10 = 10 nS</td> <td></td> </tr> <tr> <td>70 = 70 nS</td> <td>12 = 12 nS</td> <td></td> </tr> <tr> <td>80 = 80 nS</td> <td>15 = 15 nS</td> <td></td> </tr> </table>								DRAMS	SRAMS		50 = 50 nS	8 = 8 nS		60 = 60 nS	10 = 10 nS		70 = 70 nS	12 = 12 nS		80 = 80 nS	15 = 15 nS	
DRAMS	SRAMS																						
50 = 50 nS	8 = 8 nS																						
60 = 60 nS	10 = 10 nS																						
70 = 70 nS	12 = 12 nS																						
80 = 80 nS	15 = 15 nS																						

The numbers and coding on this page do not include all variations available but are show as examples of the most widely used variations. Contact Accuthek if other information is required.

EXAMPLES:

AK584096BGP-70

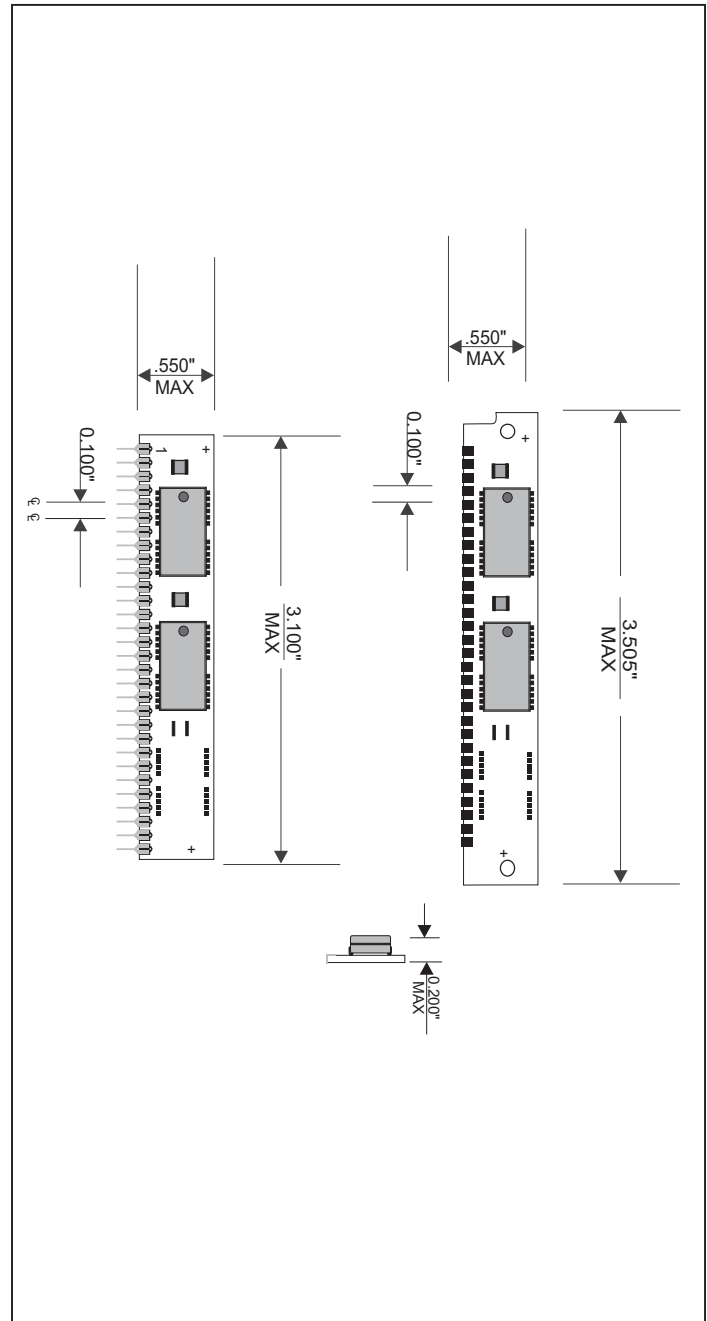
4 Meg x 8, CMOS Dynamic RAM, Leaded SIP, Page Mode, Commercial, 70 nSEC Access Time

AK584096BSP-60

4 Meg x 8, CMOS Dynamic RAM, Leadless SIM, Page Mode, Commercial, 60 nSEC Access Time

MECHANICAL DIMENSIONS

Inches



Accuthek reserves the right to make changes in specifications at any time and without notice. Accuthek does not assume any responsibility for the use of any circuitry described; no circuit patent licenses are implied. Preliminary data sheets contain minimum and maximum limits based upon design objectives, which are subject to change upon full characterization over the specific operating conditions.



ACCUTEK MICROCIRCUIT CORPORATION
 BUSINESS CENTER at NEWBURYPORT
 2 NEW PASTURE ROAD, SUITE 1
 NEWBURYPORT, MA 01950-4054
 VOICE: 978-465-6200 FAX: 978-462-3396
 Email: sales@accutekmicro.com.com
 Internet: www.accutekmicro.com