

PLEASE CHECK WWW.MOLEX.COM FOR LATEST PART INFORMATION

Part Number: [0876634002](#)

Status: **Active**

Overview: [extreme_powerplus_ssi](#)

Description: 6.35mm (.250") Pitch Power (DC), 7.62mm (.300") Pitch Power (AC), 2.54mm (.100") Pitch Signal, EXTreme PowerPlus™ Board-to-Board Header, Right Angle, 33 Circuits, Power Alpha 3, Signal 24, Power Beta 6, Long Contacts, No Recessed Signal Pin, Lead-free

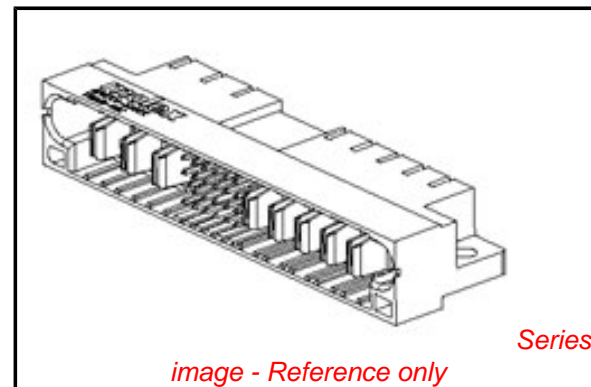
Documents:

[3D Model](#)

[Drawing \(PDF\)](#)

[Product Specification PS-87663-006 \(PDF\)](#)

[RoHS Certificate of Compliance \(PDF\)](#)



General

Product Family	PCB Headers
Series	87663
Application	Board-to-Board
Comments	Long Blade Recessed Signal Pin : None
Overview	extreme_powerplus_ssi
Product Literature Order No	987650-3002
Product Name	EXTreme PowerPlus™

Physical

Breakaway	No
Circuits (Loaded)	33
Circuits Detail	Power Alpha 3, Signal 24, Power Beta 6
Color - Resin	Black
First Mate / Last Break	No
Glow-Wire Compliant	No
Guide to Mating Part	Yes
Keying to Mating Part	Yes
Material - Metal	Copper Alloy
Material - Plating Mating	Gold
Material - Plating Termination	Tin
Material - Resin	High Temperature Thermoplastic
Number of Rows	4
Orientation	Right Angle
PC Tail Length (in)	0.135 In
PC Tail Length (mm)	3.43 mm
PCB Locator	No
PCB Retention	Yes
PCB Thickness Recommended (in)	0.062 In
PCB Thickness Recommended (mm)	1.57 mm
Packaging Type	Tray
Pitch - Mating Interface (in)	0.100 In, 0.250 In, 0.300 In
Pitch - Mating Interface (mm)	2.54 mm, 6.35 mm, 7.62 mm
Plating min: Mating (µin)	30
Plating min: Mating (µm)	0.76
Plating min: Termination (µin)	100
Plating min: Termination (µm)	2.54
Polarized to Mating Part	Yes
Polarized to PCB	Yes
Shrouded	Fully
Stackable	No
Temperature Range - Operating	-20°C to +105°C
Termination Interface: Style	Through Hole

EU RoHS

ELV and RoHS Compliant
REACH SVHC
Not Reviewed
Halogen-Free Status
Not Reviewed

China RoHS



Need more information on product environmental compliance?

Email productcompliance@molex.com
For a multiple part number RoHS Certificate of Compliance, [click here](#)

Please visit the [Contact Us](#) section for any non-product compliance questions.

Search Parts in this Series

[87663Series](#)

Mates With

[87664](#) PCB Receptacle with Beveled Metal Pins. [87734](#) Vertical PCB Receptacle

Electrical

Current - Maximum per Contact 2.5A, 30A, 50A
Voltage - Maximum 250V

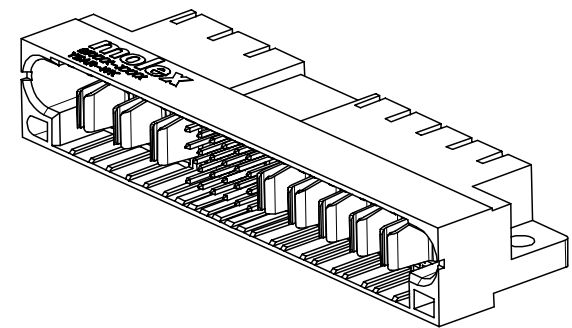
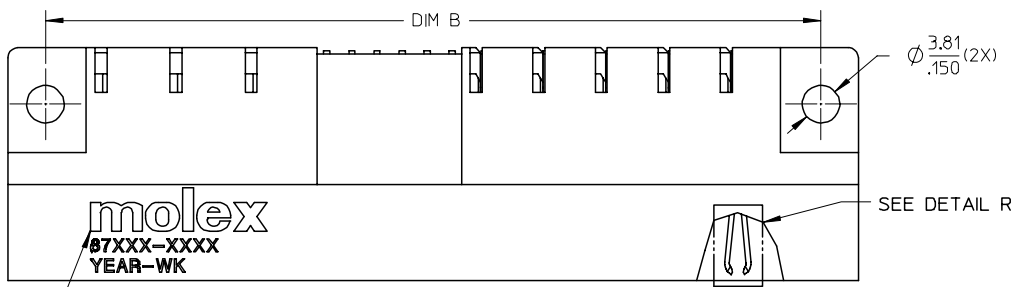
Material Info**Reference - Drawing Numbers**

Application Specification AS-87631-018
Product Specification PS-87663-006
Sales Drawing SD-87663-013

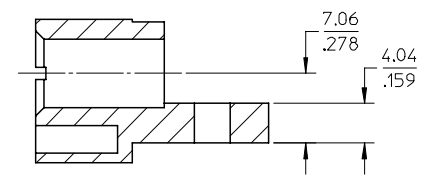
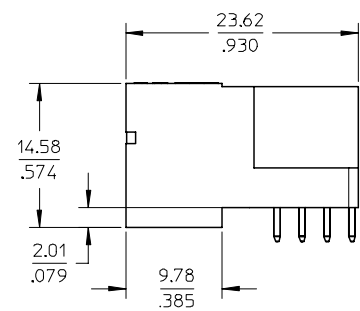
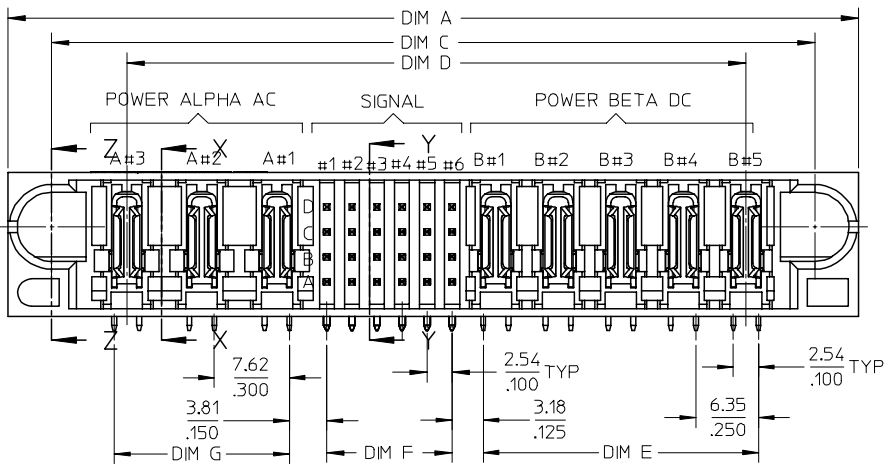
This document was generated on 05/25/2010

PLEASE CHECK WWW.MOLEX.COM FOR LATEST PART INFORMATION

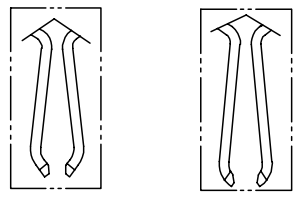
10 9 8 7 6 5 4 3 2 1



ISOMETRIC VIEW
3P(AC)-24S-5P(DC) FOR ILLUSTRATION



SECTION Z-Z



SHORT BLADE OPTION LONG BLADE OPTION

DETAIL R

(SEE TABLE FOR BLADE OPTION)

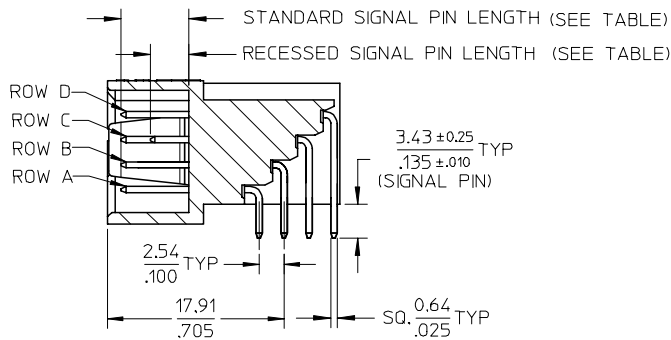
NOTES:

- MATERIALS:-
HOUSING - LCP, GLASS FILLED, UL94V-0, COLOUR: BLACK.
SIGNAL TERMINAL - COPPER ALLOY
POWER TERMINAL - COPPER ALLOY
- FINISH :-
SIGNAL & POWER CONTACTS
0.76 MICROMETER MINIMUM GOLD (Au) AT CONTACT AREA AND
2.54 MICROMETER MINIMUM TIN AT SOLDER TAIL AREA
OVER 1.27 MICROMETER MINIMUM NICKEL (Ni) UNDERPLATE.
- PRODUCT SPECIFICATION : PS-87663-006.
- COMPONENT STAY AWAY FROM CONNECTOR.
- PCB NOTE FOR DIAMETER 1.02/.040 PLATED HOLE.
- DRILLED HOLE SIZE IS 1.15/ .0453.
- PLATE WITH 0.007 / .0003 MINIMUM TIN OVER 0.03/.001
TO 0.08/.003 COPPER PLATING TO ACHIEVE 1.02±0.08/.040±.003
HOLE.
- MANUFACTURER LOGO, PART NUMBER AND YEAR-WEEK CODE.
- LONG AND SHORT CONTACT POWER BLADE OPTIONS ARE
AVAILABLE FOR DIFFERENT CUSTOMERS REQUIREMENT.

REVISED EC NO: S2006-1304 DRWN:KELIM CHKD:M.LONG APPR:SKTOH 2006/07/31 2006/08/01 2006/08/02	QUALITY SYMBOLS ▽=0 ▽=0	GENERAL TOLERANCES (UNLESS SPECIFIED)		DIMENSION STYLE MM/IN		SCALE NTS	DESIGN UNITS METRIC	THIRD ANGLE PROJECTION		
						DRAWN BY BHLW		DATE 2002/11/27		TITLE AC/DC POWER CONN. HEADER P(AC)-S-P(DC) CONFIG. RIGHT ANGLE, SCREW-MOUNT
						CHECKED BY PTL IM		DATE 2002/12/03		
						APPROVED BY SKTOH		DATE 2002/12/03		MOLEX INCORPORATED DOCUMENT NO. SD-87663-013
DRAFT WHERE APPLICABLE MUST REMAIN WITHIN DIMENSIONS		SEE TABLE		MATERIAL NO.		SHEET NO. 1 OF 3				
REV D1		SIZE A3		THIS DRAWING CONTAINS INFORMATION THAT IS PROPRIETARY TO MOLEX INCORPORATED AND SHOULD NOT BE USED WITHOUT WRITTEN PERMISSION						

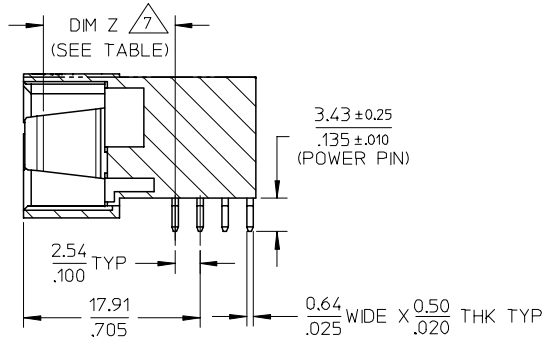
9 8 7 6 5 4 3 2 1

10 9 8 7 6 5 4 3 2 1



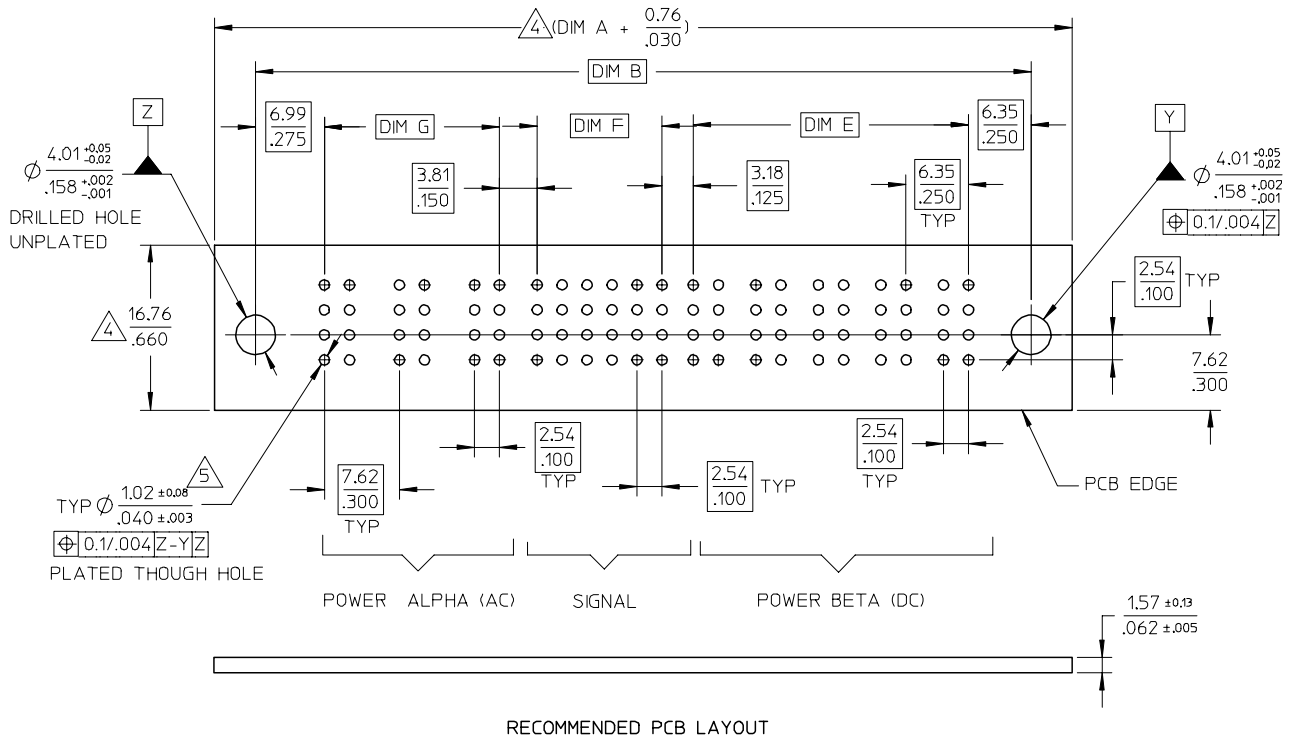
(TERMINAL LOCKING DETAIL NOT SHOWN)

SECTION Y-Y



(TERMINAL LOCKING DETAIL NOT SHOWN)

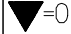
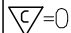
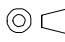
SECTION X-X



REVISED EC NO: S2006-1304 DRWN:KELIM CHKD:M.LONG APPR:SKTOH 2006/07/31 2006/08/01 2006/08/02	QUALITY SYMBOLS $\nabla = 0$ $\triangle = 0$	GENERAL TOLERANCES (UNLESS SPECIFIED)		DIMENSION STYLE MM/IN		SCALE NTS	DESIGN UNITS METRIC	THIRD ANGLE PROJECTION			
		4 PLACES \pm --- \pm ---	3 PLACES \pm --- \pm .010	2 PLACES \pm 0.25 \pm ---	1 PLACE \pm --- \pm ---	DRAWN BY BHLW	DATE 2002/11/27	TITLE AC/DC POWER CONN. HEADER P(AC)-S-P(DC) CONFIG. RIGHT ANGLE, SCREW-MOUNT			
		ANGULAR \pm 3 °				APPROVED BY PTL IM	DATE 2002/12/03	MOLEX INCORPORATED			
		DRAFT WHERE APPLICABLE MUST REMAIN WITHIN DIMENSIONS				MATERIAL NO. SKTOH	DATE 2002/12/03	DOCUMENT NO. SD-87663-013	SHEET NO. 2 OF 3		

9 8 7 6 5 4 3 2 1

PART NUMBER	P-S-P CONFIGURATION			DIM A	DIM B	DIM C	DIM D	DIM E	DIM F	DIM G	POWER BLADE OPTIONS		STANDARD SIGNAL PIN LENGTH	RECESSED SIGNAL PIN		PACKAGING
	POWER ALPHA AC	SIGNAL	POWER BETA DC								TYPE	DIM Z ±0.13/.005		LENGTH	LOCATION	
87663-4001	3	24	6	92.71 3.650	85.09 3.350	83.82 3.300	69.22 2.725	34.29 1.350	12.70 .500	17.78 .700	LONG CONTACT	14.12 / .556	6.86/.270	5.59/.220	A1	TRAY
87663-4002	3	24	6	92.71 3.650	85.09 3.350	83.82 3.300	69.22 2.725	34.29 1.350	12.70 .500	17.78 .700	LONG CONTACT	14.12 / .556	6.86/.270	NIL	NIL	TRAY
87663-4006	3	24	4	80.01 3.150	72.39 2.850	71.12 2.800	56.52 2.225	21.59 0.850	12.70 .500	17.78 .700	LONG CONTACT	14.12 / .556	6.86/.270	5.59/.220	A1	TRAY
87663-4007	4	16	4	82.55 3.250	74.93 2.950	73.66 2.900	59.06 2.325	21.59 0.850	7.62 .300	25.40 1.000	LONG CONTACT	14.12 / .556	6.86/.270	NIL	NIL	TRAY

REVISED EC NO: S2006-1304 2006/07/31 DRWN:KELIM 2006/08/01 CHKD:M.LONG APPR:SKTOH 2006/08/02	QUALITY SYMBOLS  =0  =0	GENERAL TOLERANCES (UNLESS SPECIFIED)		DIMENSION STYLE MM/IN		SCALE	DESIGN UNITS	 THIRD ANGLE PROJECTION		
			mm	INCH	DRAWN BY	DATE	NTS		METRIC	
		4 PLACES	± ---	± ---	BHLOW	2002/11/27	TITLE		AC/DC POWER CONN. HEADER P(AC)-S-P(DC) CONFIG. RIGHT ANGLE, SCREW-MOUNT	
		3 PLACES	± ---	± .010	CHECKED BY	DATE	MOLEX INCORPORATED			
2 PLACES	± 0.25	± ---	PTL IM	2002/12/03	MATERIAL NO.					
1 PLACE	± ---	± ---	APPROVED BY	DATE	DOCUMENT NO.					
ANGULAR ± 3 °		DRAFT WHERE APPLICABLE MUST REMAIN WITHIN DIMENSIONS		SEE TABLE		SD-87663-013		SHEET NO. 3 OF 3		
SIZE A3		THIS DRAWING CONTAINS INFORMATION THAT IS PROPRIETARY TO MOLEX INCORPORATED AND SHOULD NOT BE USED WITHOUT WRITTEN PERMISSION								