

557-107 D-Subminiature Light-Weight Solid Banding Backshell

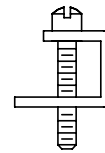


MIL-C-24308
D-Subminiature

557-107 M 2-03 C B

Basic Part No. _____
 Finish Symbol (Page 3) _____
 Shell Size (Table I) _____
 Cable Entry (Table II) _____

B = Band Supplied (600-052),
Omit for None
 C = Supplied with Retainer
Clips and Jackscrews (Omit
for None)



**"C" Retainer
Clip Option**

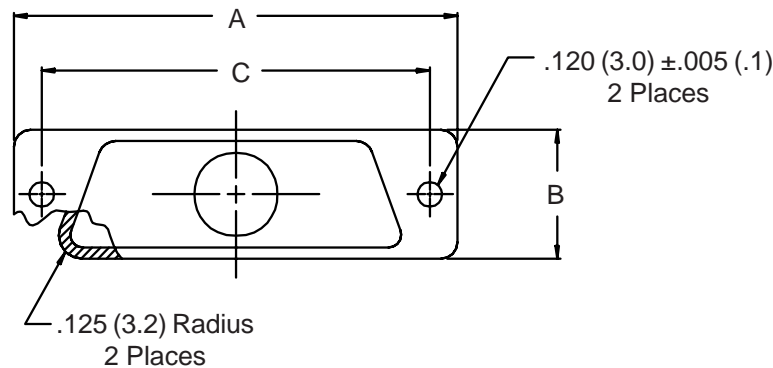
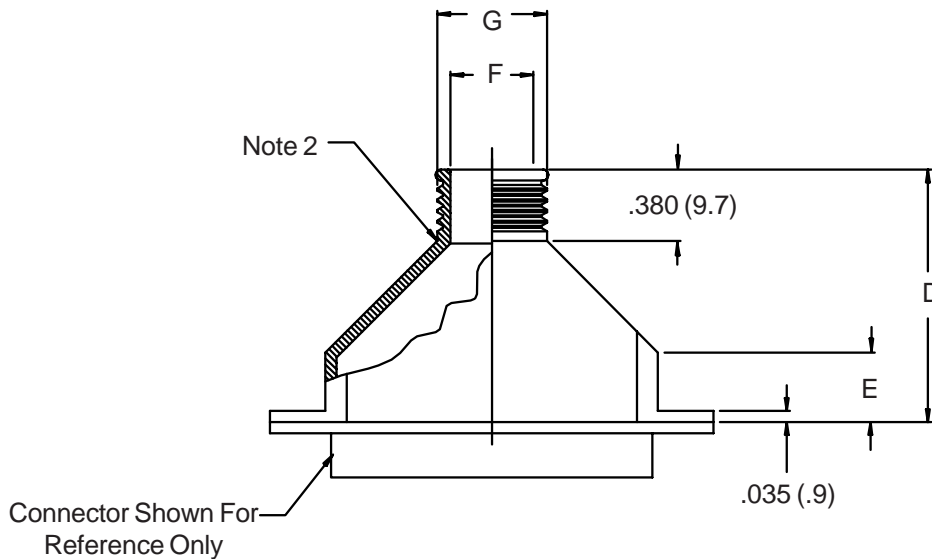


TABLE I: SHELL SIZE & CONNECTOR INTERFACE DIMENSIONS

Shell Size	A Max	B	C ±.005 (.1)	D	E
1*	1.203 (30.6)	.500 (12.7)	.984 (25.0)	1.190 (30.2)	.440 (11.2)
2*	1.531 (38.9)	.500 (12.7)	1.312 (33.3)	1.270 (32.3)	.440 (11.2)
3*	2.078 (52.8)	.500 (12.7)	1.852 (47.0)	1.550 (39.4)	.500 (12.7)
4*	2.718 (69.0)	.500 (12.7)	2.500 (63.5)	1.690 (42.9)	.500 (12.7)
5	2.625 (66.7)	.609 (15.5)	2.406 (61.1)	1.670 (42.4)	.440 (11.2)

* Maximum Entry Size (Table II) is 06

TABLE II: CABLE ENTRY

Entry Size	F	G
01	.125 (3.2)	.205 (5.2)
02	.187 (4.7)	.267 (6.8)
03	.265 (6.7)	.360 (9.1)
04	.312 (7.9)	.392 (10.0)
05	.390 (9.9)	.485 (12.3)
06	.415 (10.5)	.510 (13.0)
07	.500 (12.7)	.580 (14.7)
08	.525 (13.3)	.620 (15.7)

1. Metric dimensions (mm) are indicated in parentheses.
2. End Fitting may be brazed on per MIL-B-7883B, Type V, Grade B