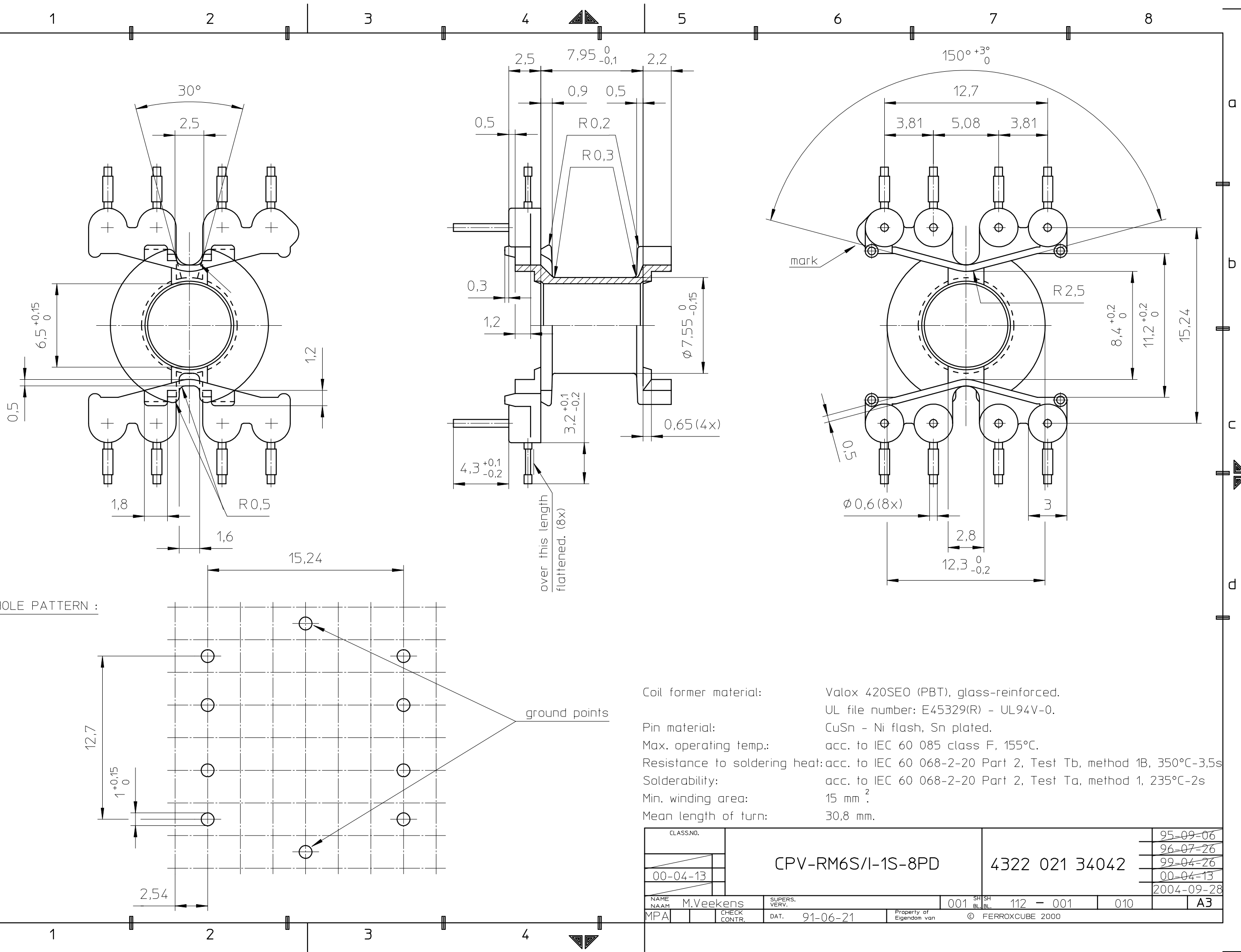


FERROXCUBE



Coil former material: Valox 420SEO (PBT), glass-reinforced.
 UL file number: E45329(R) - UL94V-0.
 Pin material: CuSn - Ni flash, Sn plated.
 Max. operating temp.: acc. to IEC 60 085 class F, 155°C.
 Resistance to soldering heat: acc. to IEC 60 068-2-20 Part 2, Test Tb, method 1B, 350°C-3.5s
 Solderability: acc. to IEC 60 068-2-20 Part 2, Test Ta, method 1, 235°C-2s
 Min. winding area: 15 mm²
 Mean length of turn: 30,8 mm.

CLASSNO.			95-09-06
			96-07-26
			99-04-26
			00-04-13
			2004-09-28
00-04-13	CPV-RM6S/I-1S-8PD	4322 021 34042	
NAME NAAM MPA	M.Veekens	SUPERS. VERY.	001 SH SH BL BL 112 - 001 010
CHECK CONTR.	DAT. 91-06-21	Property of Eigendom van	© FERROXCUBE 2000
			A3