

# SMD Power Inductor CDRH28D07



## ■ Features

- ⊙ Operating frequency: Max. 1MHz.
- ⊙ Super low profile inductor: Height:0.8mm Max.
- ⊙ Operating temperature range: -40°C~+105°C.
- ⊙ RoHS Compliance.

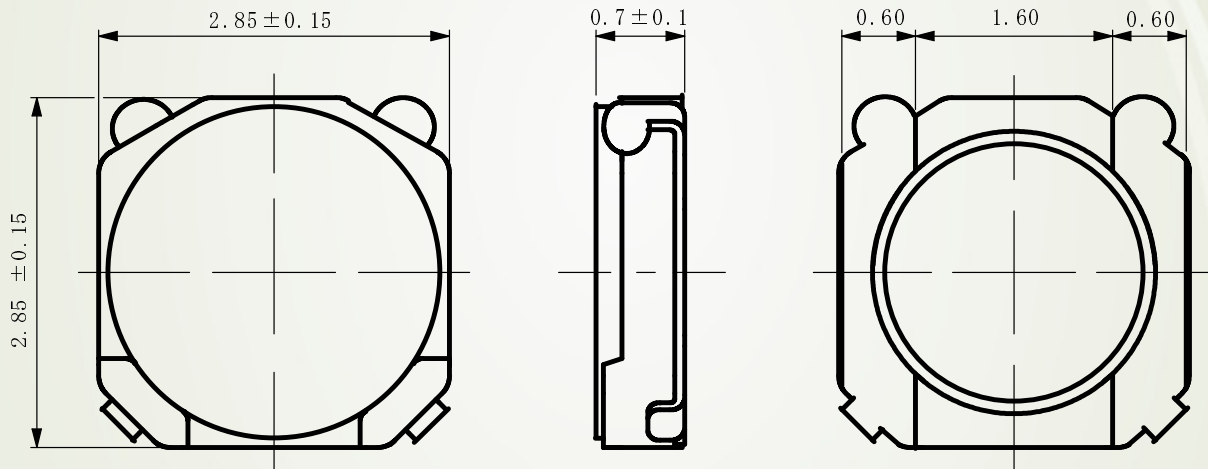


## ■ Applications

Lowest profile, surface mount inductor for MP3/MP4, Mobile phone and other portable device.

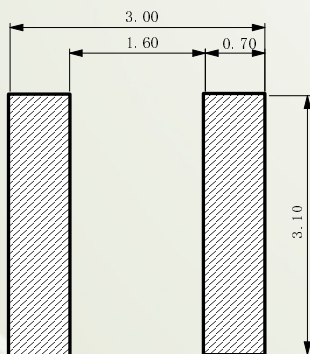
## ■ Shapes and Dimensions/Recommended Land Patterns(mm)

### ◆ Dimensions

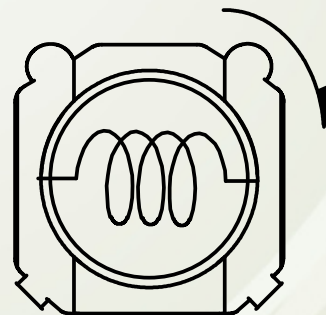


※ Dimensions without tolerance are approx.

### ◆ Land pattern (mm)



### ◆ Schematics (Bottom)



# SMD Power Inductor CDRH28D07



## ■Electrical Characteristics specification.

Part No.	Stamp	Inductance ( $\mu$ H) at 100KHz	D.C.R. (m $\Omega$ ) (at20 $^{\circ}$ C)	Saturation current (A) ※1 (at 20 $^{\circ}$ C)	Temperature rise current (A) ※2
CDRH28D07NP-1R0NC	A	1.0 $\pm$ 30%	79 $\pm$ 25%	0.90	1.15
CDRH28D07NP -1R4NC	C	1.4 $\pm$ 30%	94 $\pm$ 25%	0.80	1.05
CDRH28D07NP -2R2NC	D	2.2 $\pm$ 30%	125 $\pm$ 20%	0.66	0.87
CDRH28D07NP -3R3NC	F	3.3 $\pm$ 30%	190 $\pm$ 20%	0.52	0.72
CDRH28D07NP -4R7MC	H	4.7 $\pm$ 20%	278 $\pm$ 20%	0.43	0.53
CDRH28D07NP -6R4MC	K	6.4 $\pm$ 20%	330 $\pm$ 20%	0.40	0.48
CDRH28D07NP -100MC	M	10 $\pm$ 20%	562 $\pm$ 20%	0.31	0.36
CDRH28D07NP -150MC	P	15 $\pm$ 20%	955 $\pm$ 20%	0.25	0.26

※1. Saturation Current: The DC current at which the inductance decreases to 70% of it's nominal value.

※2. Temperature rise current: The DC current at which the temperature rise is  $\Delta t=40^{\circ}$ C.(Ta=20 $^{\circ}$ C)

### For More Information

#### Hong Kong

Tel.+852-2880-6688  
FAX.+852-2565-9600

#### Shanghai

Tel.+86-021-58363299  
FAX.+86-021-58363266

#### Shenzhen

Tel.+86-755-82910228  
FAX.+86-755-82910338

#### Taipei

Tel.+886-2-27065228  
FAX.+886-2-27065229

#### Tokyo

Tel.+81-3-5202-7112  
FAX.+81-3-5202-7105

#### Seoul

Tel.+82-2-6237-0777  
FAX.+82-2-6237-0778

#### Singapore

Tel.+65-6296-3388  
FAX.+65-6296-3390

#### Malaysia

Tel.+60-3-8733-0900  
FAX.+60-3-8737-7384

#### Chicago

Tel.+1-847-545-6700  
FAX. +1-847-545-6720

#### California

Tel.+1-408-321-9660  
FAX. +1-408-321-9308