

PLEASE CHECK WWW.MOLEX.COM FOR LATEST PART INFORMATION

Part Number: [0876450097](#)
Status: **Active**
Description: 1.27mm (.050") Pitch DIMM 8-Byte Socket, Right Angle, Multi-Key, with Beveled Metal Pins and Plastic Pegs, 0.38µm (15µ") Gold (Au) Plating, 200 Circuits, Leadfree

Documents:

[3D Model](#)
[Drawing \(PDF\)](#)

[RoHS Certificate of Compliance \(PDF\)](#)

General

Product Family	Memory Module Sockets
Series	87645
Component Type	Memory Module
JEDEC Outline	MO-172
Product Name	DIMM

Physical

Circuits (Loaded)	200
Color - Resin	Black, Natural
Durability (mating cycles max)	25
Entry Angle	90° Angle (Side Entry)
Function Key	Center
Keying to Mating Part	Yes
Material - Metal	Brass, High Performance Alloy (HPA)
Material - Plating Mating	Gold
Material - Plating Termination	Tin
Material - Resin	High Temperature Thermoplastic
PC Tail Length (in)	0.110 In
PC Tail Length (mm)	2.79 mm
PCB Locator	Yes
PCB Retention	Yes
PCB Thickness Recommended (in)	0.062 In
PCB Thickness Recommended (mm)	1.60 mm
Packaging Type	Tray
Pitch - Mating Interface (in)	0.050 In
Pitch - Mating Interface (mm)	1.27 mm
Plating min: Mating (µin)	15.2
Plating min: Mating (µm)	0.38
Plating min: Termination (µin)	101.6
Plating min: Termination (µm)	2.54
Temperature Range - Operating	-10°C to +85°C
Termination Interface: Style	Through Hole

Electrical

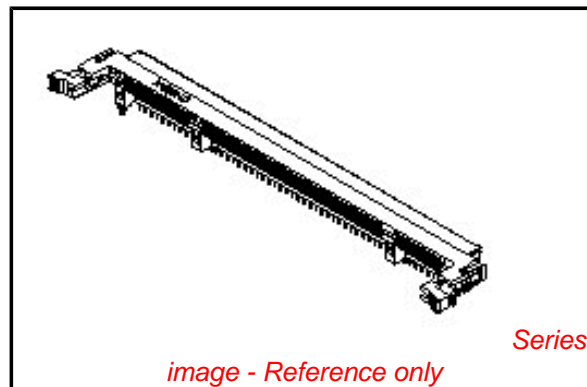
Current - Maximum per Contact	1A
Voltage - Maximum	125V
Voltage Key	3.3V, Center

Solder Process Data

Duration at Max. Process Temperature (seconds)	30
Lead-free Process Capability	SMC & Wave Capable (TH only)
Max. Cycles at Max. Process Temperature	1
Process Temperature max. C	240

Material Info

Reference - Drawing Numbers



EU RoHS

**ELV and RoHS
Compliant**
REACH SVHC
 Not Reviewed
**Halogen-Free
Status**

China RoHS



**Need more information on product
environmental compliance?**

Email productcompliance@molex.com
 For a multiple part number RoHS Certificate of Compliance, [click here](#)

Please visit the [Contact Us](#) section for any non-product compliance questions.

Search Parts in this Series

[87645Series](#)

Mates With

JEDEC MO-172 modules

This document was generated on 04/09/2010

PLEASE CHECK WWW.MOLEX.COM FOR LATEST PART INFORMATION

10 9 8 7 6 5 4 3 2 1

F

E

D

C

B

A

F

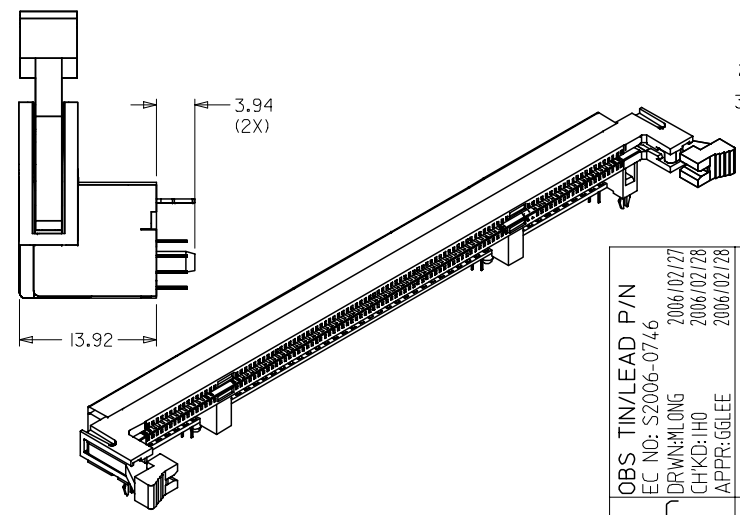
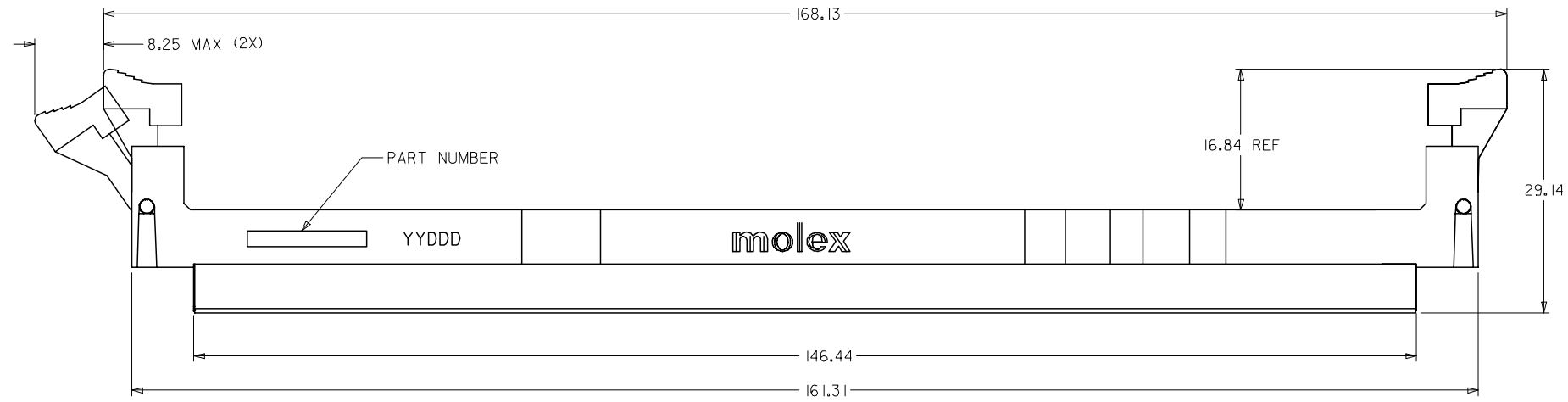
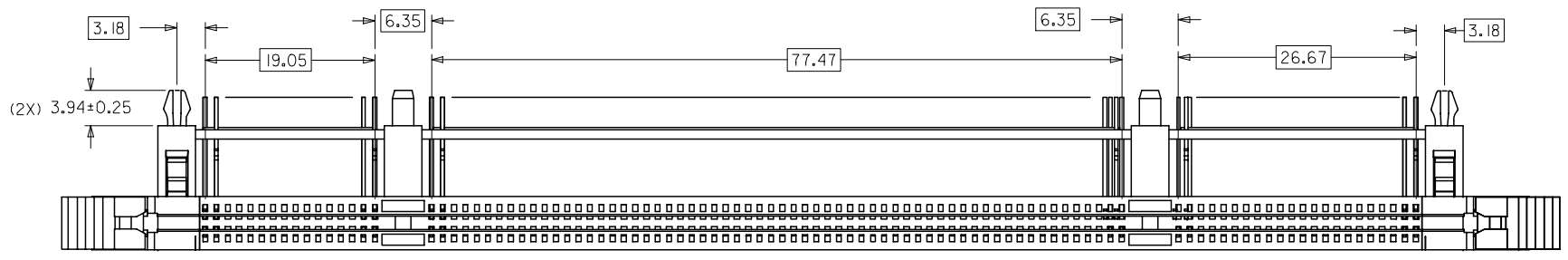
E

D

C

B

A



NOTES:

1. PRODUCT SPEC PS-87645-002 APPLIES.
2. PRODUCT IS PACKAGED IN TRAYS.
3. MATERIALS:
HOUSING-LCP, GLASS FILLED, UL 94V-0, COLOR: BLACK
TERMINAL-COPPER ALLOY
LATCHES - HIGH-TEMP NYLON, GLASS FILLED, UL94V-0
FORKLOCKS - COPPER ALLOY OR STEEL ALLOY

4. PLATING:

- CONTACT AREA:
15uIN./(.038uM) MIN GOLD
- ALTERNATE -
2-10uIN./(.05-0.25uM) GOLD FLASH
OVER 15uIN./(.038uM) MIN. Pd-NI
- SOLDER TAILS: 75uIN./(.191uM) MIN. TIN
- UNDERPLATE: 50uIN./(.127uM) MIN. NICKEL

OBS	TIN/LEAD P/N	DESCRIPTION
	EC NO: S2006-0746	
	DRWN:MLONG	
	CHKD:HO	
APP:GGLLEE	2006/02/28	2006/02/28
REV		

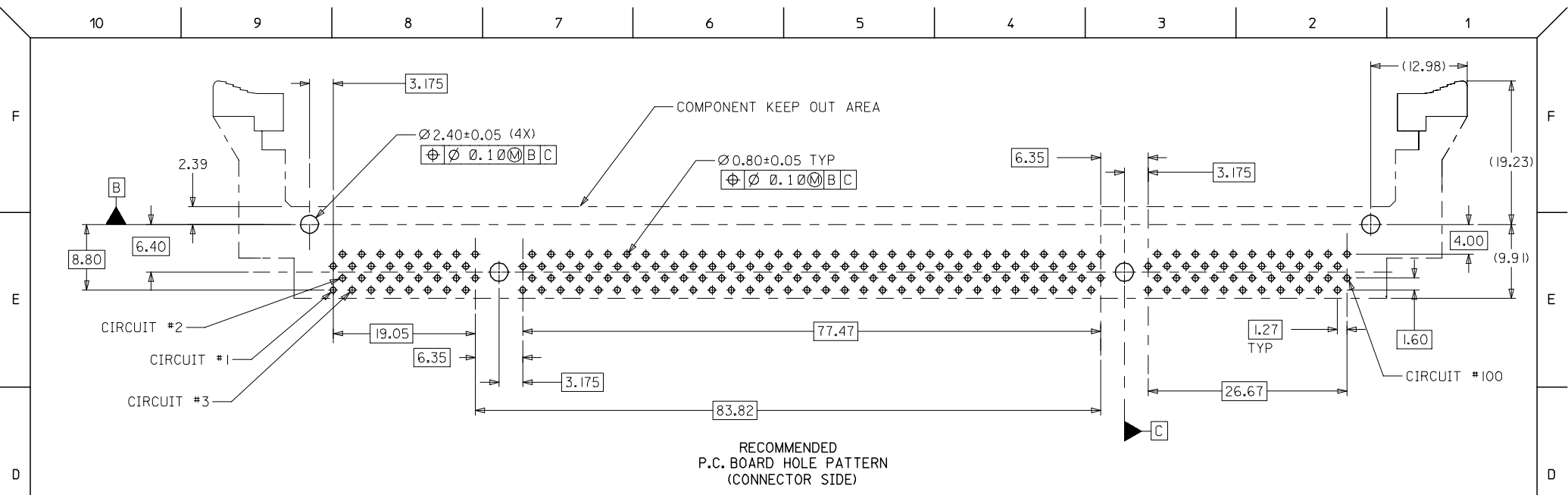
QUALITY SYMBOLS	▽=0
	∇=0

GENERAL TOLERANCES (UNLESS SPECIFIED)		
	mm	INCH
4 PLACES	± ---	± ---
3 PLACES	± ---	± ---
2 PLACES	± 0.25	± ---
1 PLACE	± ---	± ---
ANGULAR ± 3 °		
DRAFT WHERE APPLICABLE MUST REMAIN WITHIN DIMENSIONS		

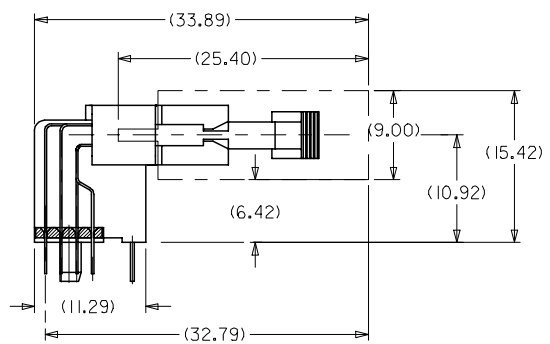
DIMENSION STYLE	
MM ONLY	
DRAWN BY	DATE
SQUEK	2000/08/22
CHECKED BY	DATE
DSOH	2000/01/03
APPROVED BY	DATE
SKTOH	2000/01/04
MATERIAL NO.	
SEE TABLE	
SIZE	A3

SCALE	NTS	DESIGN UNITS	METRIC	THIRD ANGLE PROJECTION
TITLE				
DDR DIMM, 1.27MM PITCH				
200 CKTS, MULTI-KEY, R/A				
MOLEX INCORPORATED			SHEET NO.	
DOCUMENT NO.			1 OF 3	
THIS DRAWING CONTAINS INFORMATION THAT IS PROPRIETARY TO MOLEX INCORPORATED AND SHOULD NOT BE USED WITHOUT WRITTEN PERMISSION				

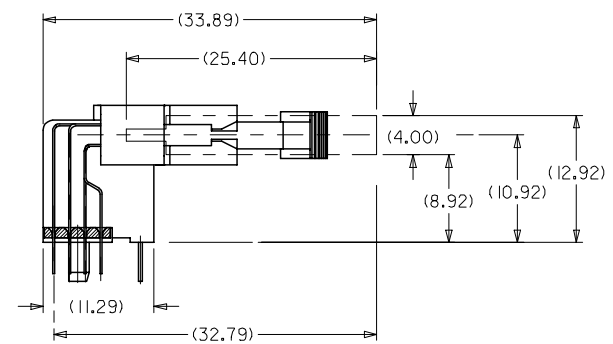
9 8 7 6 5 4 3 2 1



RECOMMENDED
P.C. BOARD HOLE PATTERN
(CONNECTOR SIDE)



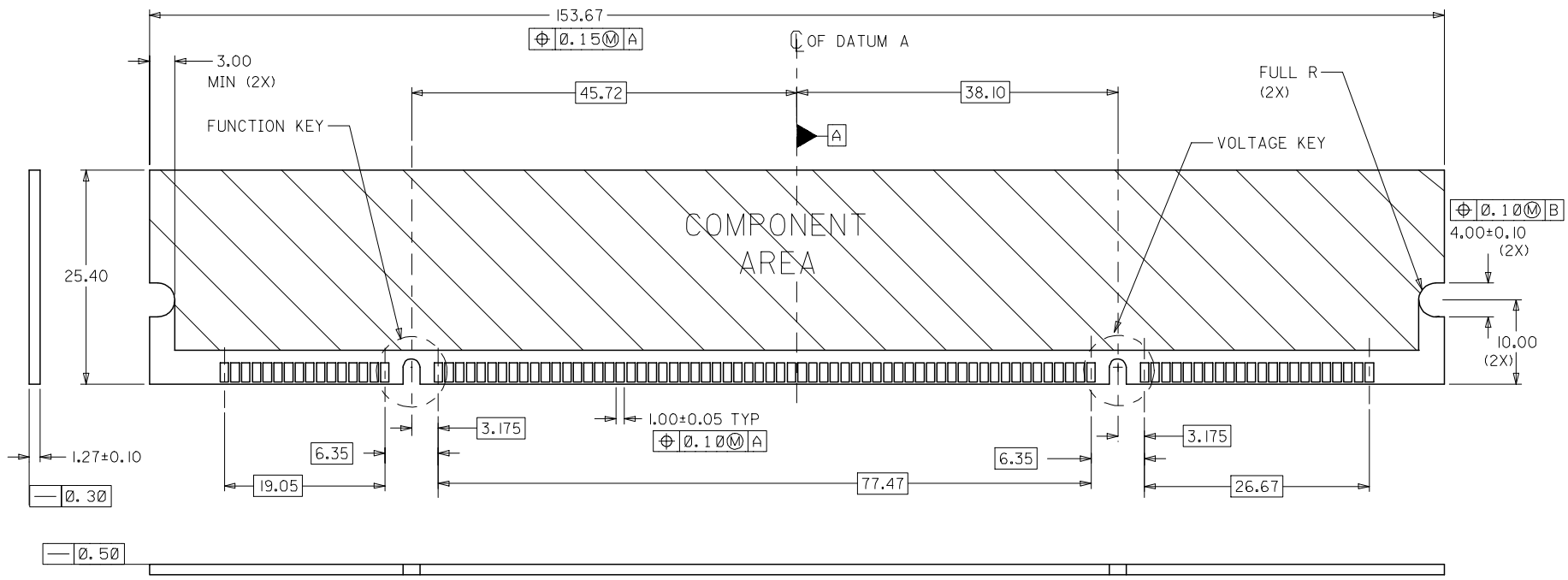
ACTUAL MODULE HEIGHT AND CLEARANCE
WHEN USING A 9.00 MM THICK
MODULE (TYPICAL SOJ PACKAGING)



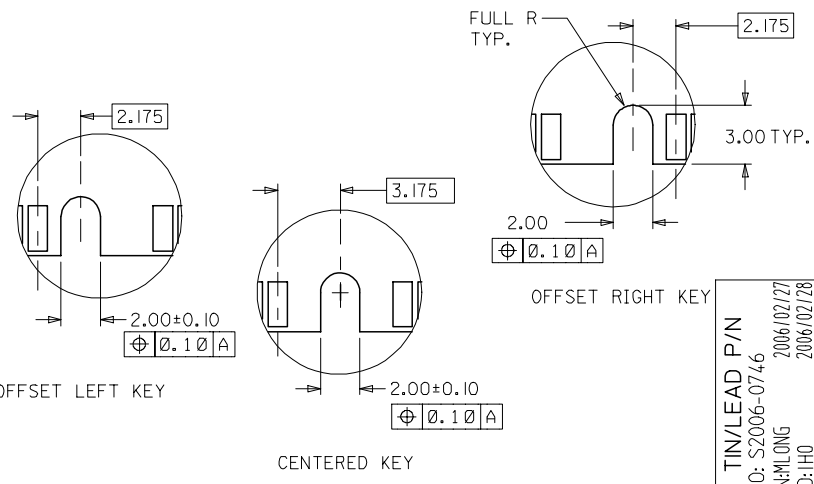
ACTUAL MODULE HEIGHT AND CLEARANCE
WHEN USING A 4.00 MM THICK
MODULE (TYPICAL SOJ PACKAGING)

OBS TIN/LEAD P/N EC NO: S2006-0746 DRWN:MLONG CHKD:HO APPR:GJLEE	2006/02/27 2006/02/28 2006/02/28	DESCRIPTION REV	QUALITY SYMBOLS	GENERAL TOLERANCES (UNLESS SPECIFIED)		DIMENSION STYLE MM ONLY		SCALE NTS	DESIGN UNITS METRIC	THIRD ANGLE PROJECTION
			▽=0 ▽C=0	mm	INCH	DRAWN BY SQUEK	DATE 2000/08/22	TITLE DDR DIMM, 1.27MM PITCH 200 CKTS, MULTI-KEY, R/A		
				4 PLACES ± ---	± ---	CHECKED BY DSOH	DATE 2000/01/03	MOLEX INCORPORATED		
				3 PLACES ± ---	± ---	APPROVED BY SKTOH	DATE 2000/01/04			
	2 PLACES ± 0.25	± ---	MATERIAL NO.	DOCUMENT NO. SD-87645-001	SHEET NO. 2 OF 3					
	1 PLACE ± ---	± ---	DRAFT WHERE APPLICABLE MUST REMAIN WITHIN DIMENSIONS		SEE TABLE		THIS DRAWING CONTAINS INFORMATION THAT IS PROPRIETARY TO MOLEX INCORPORATED AND SHOULD NOT BE USED WITHOUT WRITTEN PERMISSION			

PART NUMBER	FUNCTION KEY	DATUM VOLTAGE KEY	TAIL LENGTH P±0.25
87645-0097	CENTRE	CENTER (3.3V)	2.79



RECOMMENDED MODULE LAYOUT
(PER JEDEC STANDARD MO-172
200 CKT. 3.3V SHOWN)



- NOTES:
1. STRAIGHTNESS OF MODULE APPLIES TO THE AREA FROM THE BOTTOM OF THE CARD UP 4.00(.157)
 2. RECOMMENDED PLATING ON MODULE PADS:
0.76 MICROMETER(30 MICROINCH) MINIMUM HARD GOLD OVER 2.0 MICROMETER(79 MICROINCH) MINIMUM NICKEL.

OBS TIN/LEAD P/N EC NO: S2006-0746 DRWN:MLONG CHKD:HO APPR:GJLEE	2006/02/27 2006/02/28 2006/02/28	QUALITY SYMBOLS ▽=0 ∇=0	GENERAL TOLERANCES (UNLESS SPECIFIED)		DIMENSION STYLE MM ONLY		SCALE NTS	DESIGN UNITS METRIC	THIRD ANGLE PROJECTION	
			mm	INCH	DRAWN BY SQUEK	DATE 2000/08/22	TITLE DDR DIMM, 1.27MM PITCH 200 CKTS, MULTI-KEY, R/A	MOLEX INCORPORATED		
DRAWING DESCRIPTION			4 PLACES ± --- ± ---		CHECKED BY DSOH		DATE 2000/01/03		APPROVED BY SKTOH	
REV			3 PLACES ± --- ± ---		DATE 2000/01/04		MATERIAL NO.		DOCUMENT NO. SD-87645-001	
C			2 PLACES ± 0.25 ± ---		SIZE A3		SHEET NO. 3 OF 3		THIS DRAWING CONTAINS INFORMATION THAT IS PROPRIETARY TO MOLEX INCORPORATED AND SHOULD NOT BE USED WITHOUT WRITTEN PERMISSION	
			1 PLACE ± --- ± ---		DRAFT WHERE APPLICABLE MUST REMAIN WITHIN DIMENSIONS					
			ANGULAR ± 3 °							