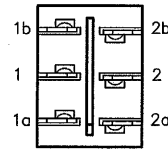
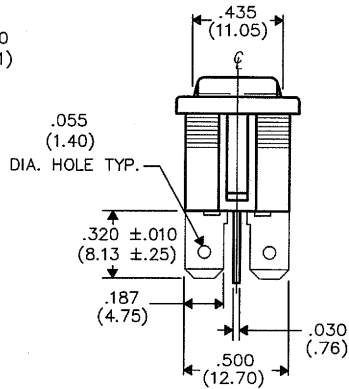
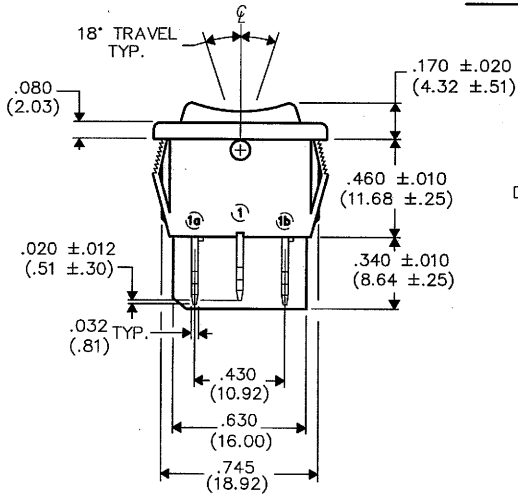


PANEL PIERCING



BOTTOM VIEW



E
D
C
B
A

1 2 3 4 5 6 7 8 9 10

FORM-B4
REVISIONS
RELEASED: DGW 8-13-2008
AUG 15 2008

CW INDUSTRIES
Southampton, Pa. 18966

| TOLERANCES UNLESS OTHERWISE SPECIFIED | |
|---------------------------------------|---------------------|
| 2 Place Decimal ±.010 | METRIC |
| 3 Place Decimal ±.005 | 1 Place Dec. ±.25mm |
| Angles ±1° | 2 Place Dec. ±.13mm |

Made for: CW IND.
Drawn by: DGW 8-13-2008
Checked by: *G. Guld 8-14-08*
Approval: *G. Guld 8-14-08*

Title: **ASSEMBLY
ROCKER SWIDGET
D.P.- CENTER OFF
(ON-OFF-ON)**

Division: **SWITCH**

Dwg. No. **GRS-4023A-0009**

MASTER