

**PLEASE CHECK WWW.MOLEX.COM FOR LATEST PART INFORMATION**

**Part Number:** [5002541941](#)  
**Status:** **Active**  
**Overview:** high definition multimedia interface hdmi  
**Description:** HDMI\* Receptacle, Right Angle with Screw Flange, SMT Solder Tails and Through Hole Shell Tabs, Use With No.4-40 UNC Screw

**Documents:**

[3D Model](#) [Product Specification PS-501194-001 \(PDF\)](#)  
[Drawing \(PDF\)](#) [RoHS Certificate of Compliance \(PDF\)](#)

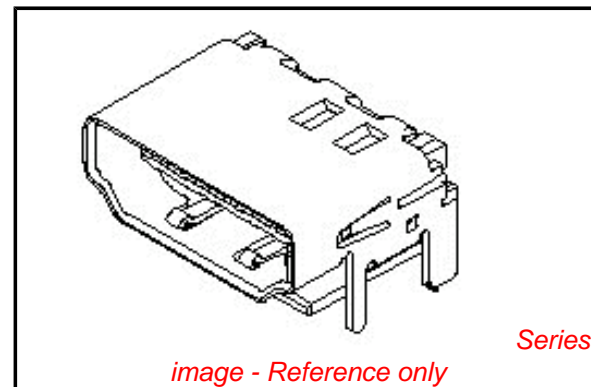
**General**

Product Family	I/O Connectors
Series	<a href="#">500254</a>
Application	Wire-to-Board
Component Type	Receptacle
Overview	<u>high definition multimedia interface hdmi</u>
Product Name	HDMI
Type	N/A

**Physical**

Boot Color	N/A
Circuits (Loaded)	19
Circuits (maximum)	19
Color - Resin	Black
Gender	Male
Lock to Mating Part	Yes
Material - Metal	Brass
Material - Plating Mating	Gold
Material - Plating Termination	Tin
Material - Resin	High Temperature Thermoplastic
Number of Rows	2
Orientation	Right Angle
PCB Locator	Yes
PCB Retention	Yes
PCB Thickness Recommended (in)	0.063 In
PCB Thickness Recommended (mm)	1.60 mm
Packaging Type	Tray
Panel Mount	Yes
Pitch - Mating Interface (in)	0.020 In
Pitch - Mating Interface (mm)	0.50 mm
Pitch - Term. Interface (in)	0.020 In
Pitch - Term. Interface (mm)	0.50 mm
Plating min: Mating (µin)	30.4
Plating min: Mating (µm)	0.76
Plating min: Termination (µin)	40
Plating min: Termination (µm)	1
Polarized to Mating Part	Yes
Polarized to PCB	Yes
Ports	1
Surface Mount Compatible (SMC)	Yes
Temperature Range - Operating	-20°C to +85°C
Termination Interface: Style	Surface Mount
Waterproof / Dustproof	No
Wire Size AWG	N/A

**Electrical**



**EU RoHS**

**ELV and RoHS  
Compliant**  
**REACH SVHC**  
 Not Reviewed  
**Halogen-Free  
Status**

**China RoHS**



**Need more information on product  
environmental compliance?**

Email [productcompliance@molex.com](mailto:productcompliance@molex.com)  
 For a multiple part number RoHS Certificate of Compliance, [click here](#)

Please visit the [Contact Us](#) section for any non-product compliance questions.

**Search Parts in this Series**

[500254Series](#)

**Mates With**

[501194 HDMI Cable Assemblies,](#)  
[Link:88768](#)

**Use With**

No.4-40 UNC Screw

Current - Maximum per Contact	0.5A
Shield Type	Full Shield
Shielded	Yes
Voltage - Maximum	40V AC (RMS)/DC

### **Material Info**

### **Reference - Drawing Numbers**

Packaging Specification	SPK-500254-001
Product Specification	PS-501194-001
Sales Drawing	SD-500254-004, SD-500254-006

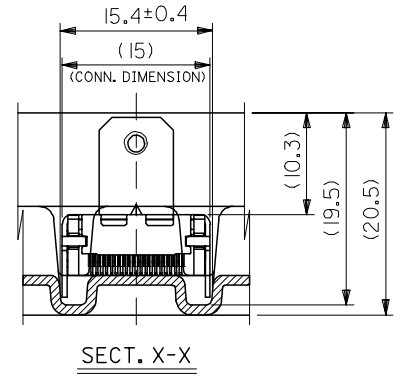
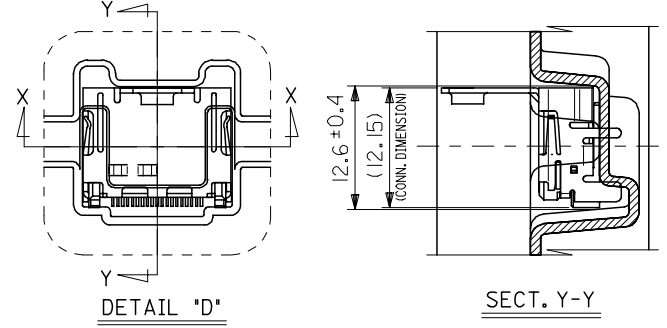
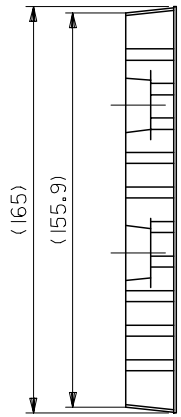
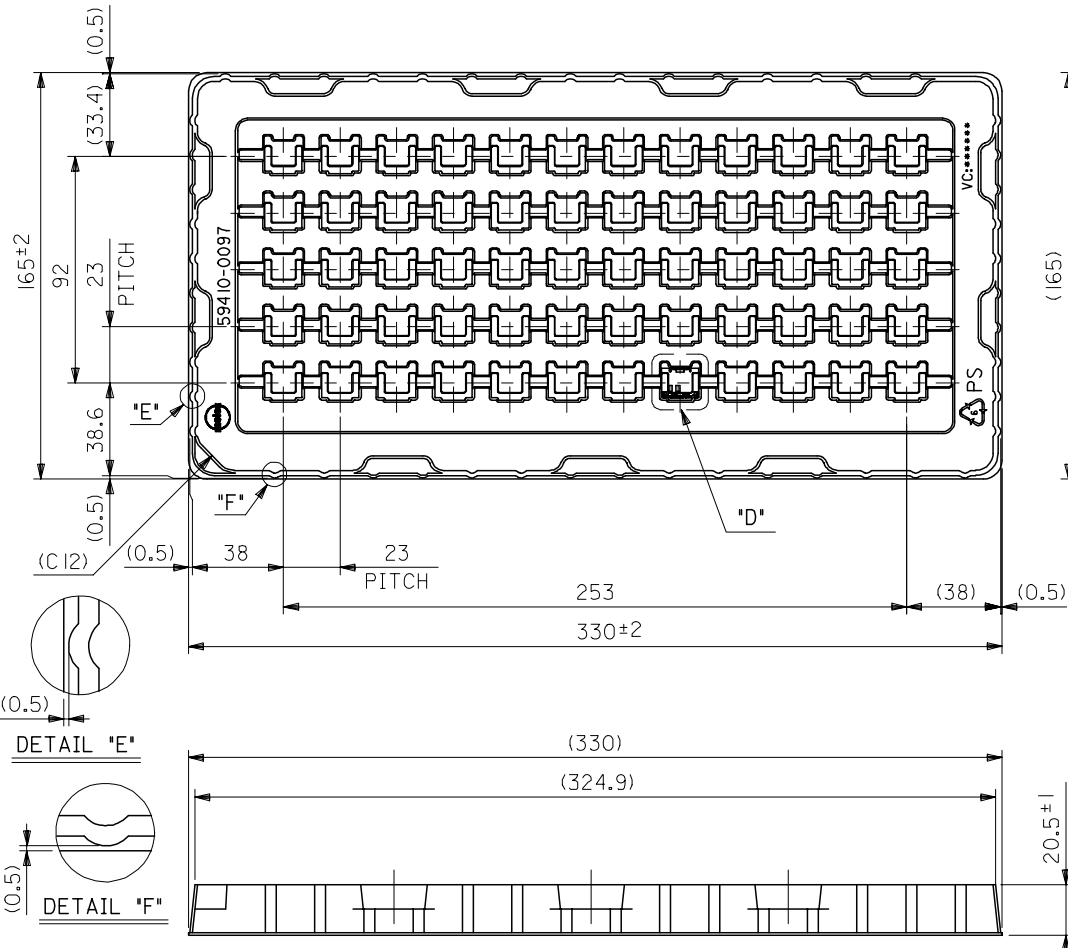
\* High Definition Multimedia Interface and HDMI are trademarks of HDMI Licensing, LLC.

This document was generated on 06/07/2010

**PLEASE CHECK [WWW.MOLEX.COM](http://WWW.MOLEX.COM) FOR LATEST PART INFORMATION**

10 9 8 7 6 5 4 3 2 1

F  
E  
D  
C  
B  
A



NOTES

1. 一般公差: ±0.5  
GENERAL TOLERANCES: ±0.5
2. 反り: 2MAX.  
WARP: 2MAX.
3. 1トレイの梱包数: 60個  
QUANTITY IN ONE TRAY: 60 PCS.
4. 標準梱包数: 300個  
STANDARD PACKAGING QUANTITY: 300 PCS.
5. トレイは、180° 反転させ交互に重ねる。  
TRAYS SHOULD BE PILED ALTERNATELY.

500254-1941  
500254-1931  
適用製品番号  
APPLICABLE PART No.

MATERIAL  
POLYSTYRENE SHEET (t=1.0)  
WHITE

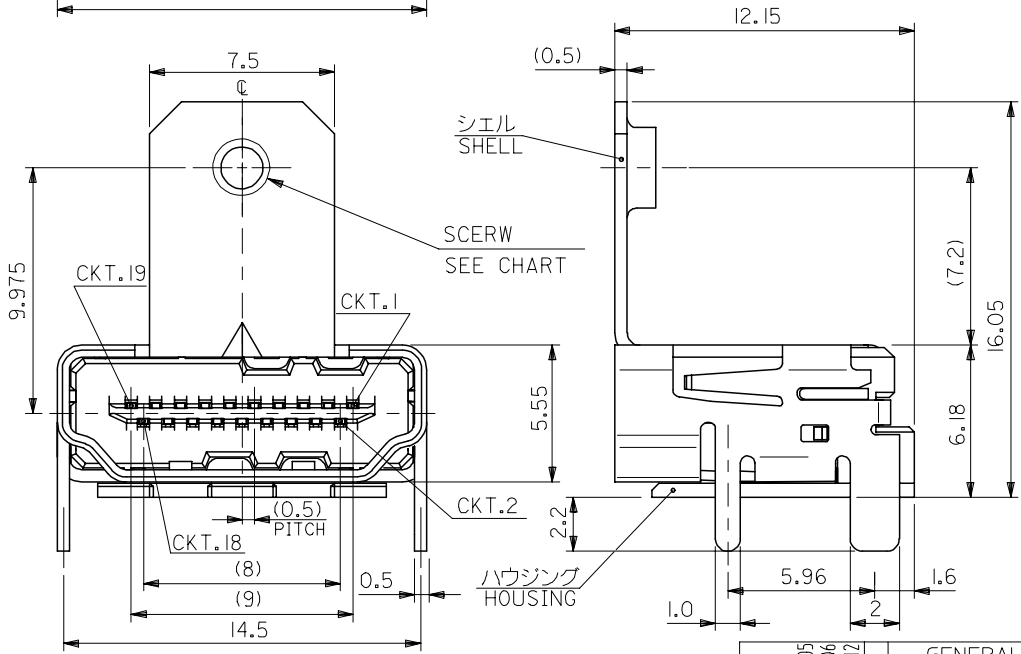
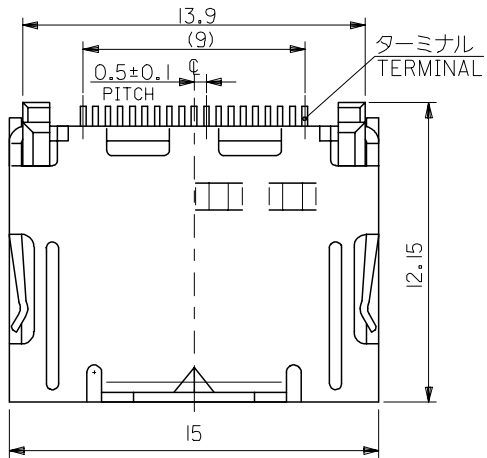
REVISED	DESCRIPTION
ECNO: J2005-1358	2004/11/30
DRWNG: KTOYODA	2004/11/30
CHKD: NUKITA	2004/11/30
APPR: NUKITA	2004/12/06

GENERAL TOLERANCES (UNLESS SPECIFIED)	
10 UNDER	± ---
10 OVER 30 UNDER	± ---
30 OVER	± ---
ANGULAR	± --- °
DRAFT WHERE APPLICABLE MUST REMAIN WITHIN DIMENSIONS	

DIMENSION STYLE	
MM ONLY	
DRAWN BY	DATE
T. HARUYAMA	'04/02/25
CHECKED BY	DATE
M. ENOMOTO	'04/02/25
APPROVED BY	DATE
M. ENOMOTO	'04/02/25
MATERIAL NO.	
59410-0097	
SIZE	
A3	

SCALE	DESIGN UNITS	THIRD ANGLE PROJECTION
2:1	METRIC	
TITLE		
TRAY FOR HDMI CONN. R/A WITH FLANGE -LEAD FREE-		
MOLEX INCORPORATED		
DOCUMENT NO.	SHEET NO.	
SD-500254-004	1 OF 1	

10 9 8 7 6 5 4 3 2 1



- 注記** 1. 材質  
**NOTE** MATERIAL  
 ハウジング: ガラス入り耐熱樹脂  
 HOUSING: GLASS FULLED HEAT-RESISTED RESIN, UL94V-0  
 ターミナル: 銅合金  
 TERMINAL: COPPER ALLOY  
 シェル: 銅合金  
 SHELL: COPPER ALLOY
2. めっき仕様  
 PLATING  
 ターミナル: <接点部>金めっき 0.76マイクロメートル以上  
 TERMINAL <CONTACT AREA> GOLD(Au) 0.76 MICROMETER MINIMUM.  
 <半田付け部>錫めっき 1.0マイクロメートル以上  
 <SOLDER TAIL AREA> TIN(Sn) 1.0 MICROMETER MINIMUM.  
 <下地>ニッケルめっき 2マイクロメートル以上  
 <UNDER-PLATING> NICKEL(Ni) 2 MICROMETER MINIMUM.
- シェル: 錫めっき 1.0マイクロメートル以上  
 SHELL: TIN(Sn) 1.0 MICROMETER MINIMUM.  
 下地ニッケルめっき 1.27マイクロメートル以上  
 UNDER-PLATING NICKEL (Ni) 1.27 MICROMETER MINIMUM.
3. ネジ締めトルク  
 SCREWING TORQUE

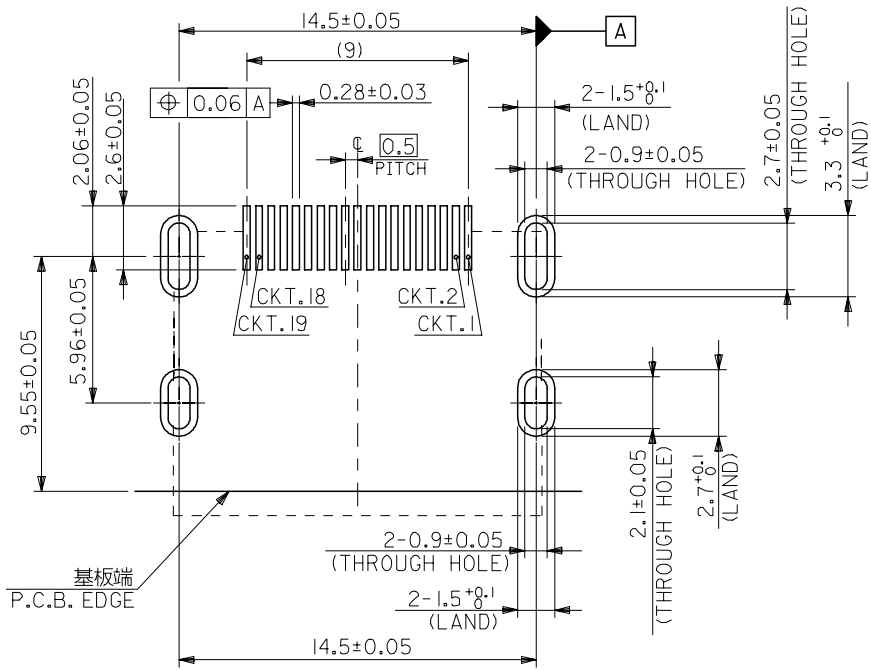
	推奨ネジ締めトルク RECOMMENDED SCREWING TORQUE	最大許容ネジ締めトルク TORQUE LIMIT
500254-1931	0.343N-m {3.5kgf-cm} MAXIMUM.	0.392N-m {4.0kgf-cm} MAXIMUM.
500254-1941	0.294N-m {3.0kgf-cm} MAXIMUM.	0.343N-m {3.5kgf-cm} MAXIMUM.

4. テール部の平坦度: 0.1 MAXIMUM.  
 COPLANALITY OF TAIL: 0.1 MAXIMUM.

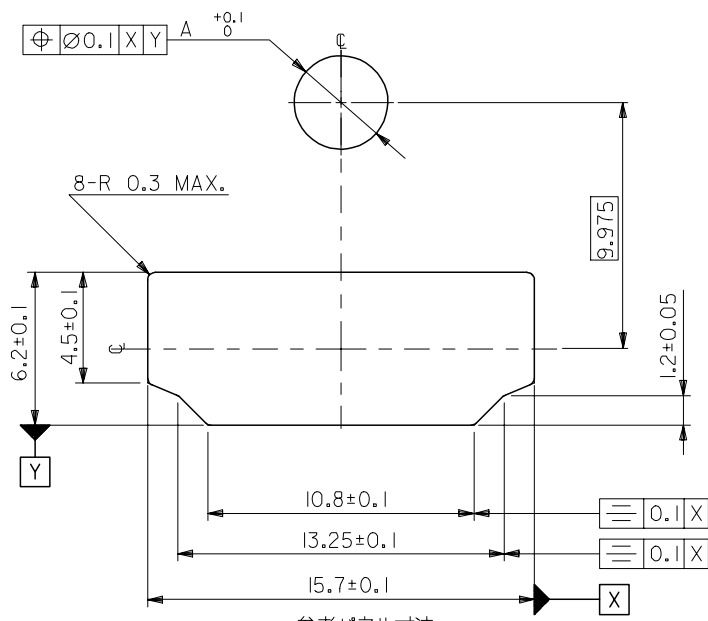
No.4-40UNC	500254-1941	19
M3x0.5	500254-1931	
SCERW	TRAY PACKAGING MATERIAL NO.	CURCUITS

REVISED EC NO: J2006-0032 DRWN: NABE 2005/07/05 CHKD: KTOYODA 2005/07/06 APPR: NUKITA 2005/07/12	GENERAL TOLERANCES (UNLESS SPECIFIED)		DIMENSION STYLE MM ONLY		SCALE 5:1	DESIGN UNITS METRIC	THIRD ANGLE PROJECTION
	10 UNDER	±0.2	DRAWN BY K. TOYODA	DATE '04/03/26	TITLE <b>HDMI RIGHT ANGLE HEADER          ASSY WITH FLANGE          -LEAD FREE-</b>  <b>MOLEX INCORPORATED</b>		
	10 OVER 30 UNDER	±0.25	CHECKED BY K. ASAKAWA	DATE '04/03/26			
	30 OVER	±0.3	APPROVED BY S. ICHIKAWA	DATE '04/03/26			
	ANGULAR ±3 °	DRAFT WHERE APPLICABLE MUST REMAIN WITHIN DIMENSIONS		MATERIAL NO. SEE CHART	DOCUMENT NO. SD-500254-006	SHEET NO. 1 OF 2	

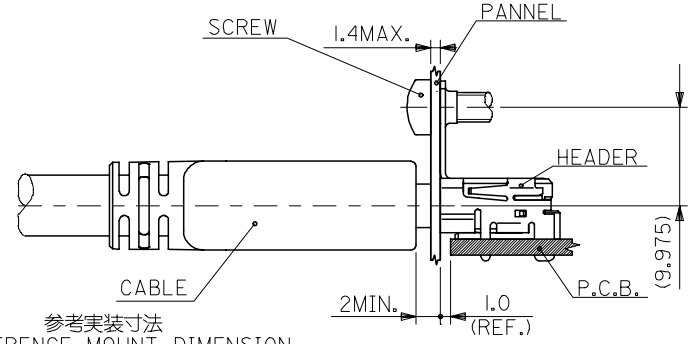
SIZE A3 THIS DRAWING CONTAINS INFORMATION THAT IS PROPRIETARY TO MOLEX INCORPORATED AND SHOULD NOT BE USED WITHOUT WRITTEN PERMISSION



推奨基板寸法  
 RECOMMENDED P.C.B. PATTERN LAYOUT (+/-1.6±0.15)  
 (COMPONENT SIDE)



参考パネル寸法  
 REFERENCE PANEL CUT OUT DIMENSION.



参考実装寸法  
 REFERENCE MOUNT DIMENSION.  
 (SCALE 2:1)

3.45	500254-1941
3.6	500254-1931
"A"	TRAY PACKAGE

REVISED EC NO: J2006-0032 DRW: NABEI 2005/07/05 CHK: K. TOYODA 2005/07/06 APPR: NUKITA 2005/07/12	GENERAL TOLERANCES (UNLESS SPECIFIED)		DIMENSION STYLE MM ONLY		SCALE 5:1	DESIGN UNITS METRIC	THIRD ANGLE PROJECTION	
	10 UNDER ±0.2 10 OVER 30 UNDER ±0.25 30 OVER ±0.3	ANGULAR ±3 °	DRAFT WHERE APPLICABLE MUST REMAIN WITHIN DIMENSIONS	DRAWN BY K. TOYODA '04/03/26	DATE '04/03/26	TITLE HDMI RIGHT ANGLE HEADER ASSY WITH FLANGE -LEAD FREE-		
				CHECKED BY K. ASAKAWA '04/03/26	DATE '04/03/26	MOLEX INCORPORATED		
				APPROVED BY S. ICHIKAWA '04/03/26	DATE '04/03/26	DOCUMENT NO. SD-500254-006	SHEET NO. 2 OF 2	