

PLEASE CHECK WWW.MOLEX.COM FOR LATEST PART INFORMATION

Part Number: **0751171118**
Status: **Active**
Overview: vhdm
Description: 2.00mm (.079") Pitch VHDM® Board-to-Board Stacker Receptacle, Vertical, 8-Row, 80 Circuits, 1.27µm (50µ") Gold (Au)

Documents:

[Packaging Specification \(PDF\)](#) [Product Specification PS-74031-999 \(PDF\)](#)
[Drawing \(PDF\)](#) [RoHS Certificate of Compliance \(PDF\)](#)

General

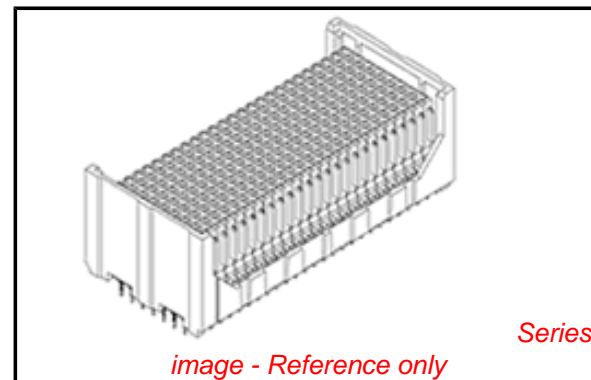
Product Family	Backplane Connectors
Series	75117
Application	Daughtercard
Application Tooling Documents	Tooling Manual
Comments	Stack Height 18mm (.708"), Lead Free
Component Type	PCB Receptacle
Overview	vhdm
Product Name	VHDM®
Style	N/A

Physical

Circuits (Loaded)	80
Circuits (maximum)	80
Color - Resin	Black
Durability (mating cycles max)	200
First Mate / Last Break	No
Guide to Mating Part	No
Keying to Mating Part	None
Material - Metal	Copper-Nickel-Silicon, High Performance Alloy (HPA)
Material - Plating Mating	Gold
Material - Plating Termination	Tin-Lead
Material - Resin	High Temperature Thermoplastic
Number of Columns	N/A
Number of Pairs	Open Pin Field
Number of Rows	8
Orientation	Vertical
PCB Retention	None
PCB Thickness Recommended (in)	0.070 In
PCB Thickness Recommended (mm)	1.80 mm
Packaging Type	Tube
Pitch - Mating Interface (in)	0.079 In
Pitch - Mating Interface (mm)	2.00 mm
Plating min: Mating (µin)	50
Plating min: Mating (µm)	1.25
Plating min: Termination (µin)	30
Plating min: Termination (µm)	0.75
Polarized to PCB	No
Surface Mount Compatible (SMC)	Yes
Temperature Range - Operating	-55°C to +105°C
Termination Interface: Style	Through Hole - Compliant Pin

Electrical

Current - Maximum per Contact	1A
Data Rate	3.125 Gbps



<p>EU RoHS RoHS Compliant by Exemption REACH SVHC Not Reviewed Halogen-Free Status Not Reviewed</p>	<p>China RoHS</p> <p>Pb</p>
-------------------------------------------------------------------------------------------------------------------------------------------------------------------------------------	------------------------------------

Need more information on product environmental compliance?

Email productcompliance@molex.com
 For a multiple part number RoHS Certificate of Compliance, [click here](#)

Please visit the [Contact Us](#) section for any non-product compliance questions.

Search Parts in this Series

75117Series

Mates With

[74060](#) VHDM® Board-to-Board Backplane Header

Application Tooling | FAQ

Tooling specifications and manuals are found by selecting the products below. Crimp Height Specifications are then contained in the Application Tooling Specification document.

Global

Description	Product #
VHDM® Single Wafer Removal Tool, 8 Row	0622021450

Real Signals (per 25mm)
Voltage - Maximum

100
120V AC (RMS)/DC

Material Info

Reference - Drawing Numbers

Product Specification
Sales Drawing

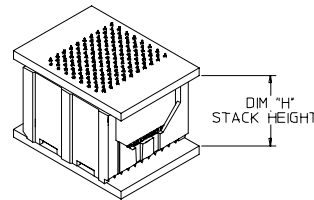
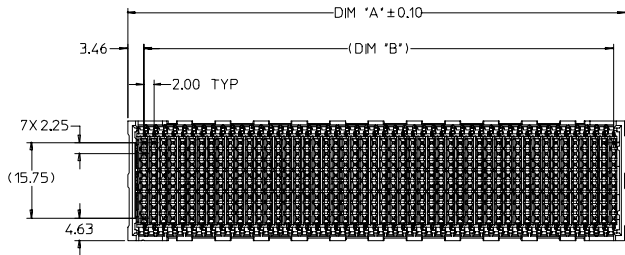
PS-74031-999
SD-75117-001

VHDM and Very High Density Metric are trademarks of Amphenol Corporation

This document was generated on 05/17/2010

PLEASE CHECK WWW.MOLEX.COM FOR LATEST PART INFORMATION

20 19 18 17 16 15 14 13 12 11 75117 9 8 7 6 5 4 3 2 1

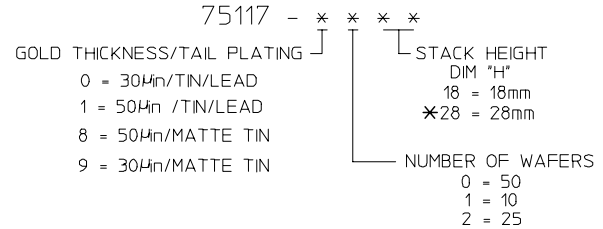


MATED VIEW
10-WAFER CONNECTOR SHOWN

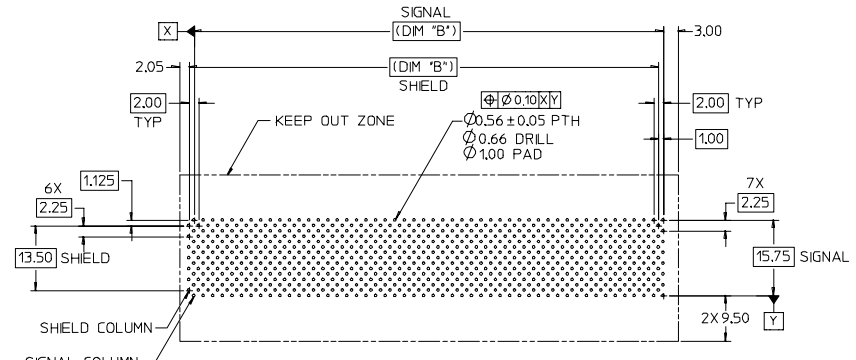
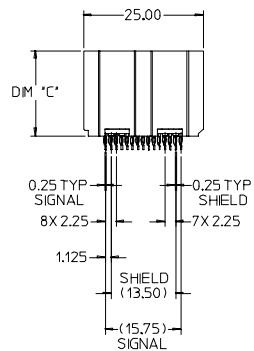
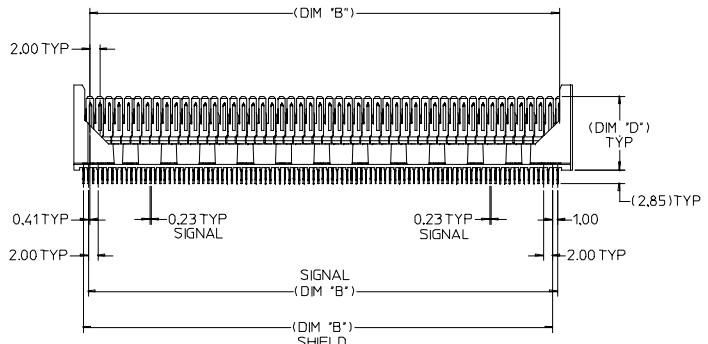
NOTES:

- MATERIALS:
RETAINER HOUSING/WAFER PLASTIC - LIQUID CRYSTAL POLYMER (LCP),
GLASS FILLED, UL94 V-0, COLOR: BLACK (30µin Au) OR GRAY (50µin Au)
TERMINALS - HIGH PERFORMANCE COPPER ALLOY
- FINISHES:
TERMINAL - SELECTIVE GOLD (Au) IN CONTACT AREA, 0.00076mm OR
0.00127mm MIN THICKNESS, SELECTIVE TIN/LEAD (Sn/Pb) OR MATTE TIN (Sn)
ON PCB TAILS,
NICKEL (Ni) UNDERPLATE OVERALL
- PRODUCT SPECIFICATION: PS-74031-999
- PACKAGING SPECIFICATION: PK-70873-0750
- MATES WITH VHDM 8-ROW BACKPLANE HEADER SERIES NO. 74060
- THESE PARTS CONFORM TO MOLEX COSMETIC SPECIFICATION PS-45499-002 CLASS B.

MATERIAL NUMBER ASSIGNMENT



* CONSULT FACTORY FOR AVAILABILITY



PCB LAYOUT: COMPONENT SIDE
RECOMMENDED PCB THICKNESS: 1.80 MM

* CONSULT FACTORY FOR AVAILABILITY

MATERIAL NUMBER	NUMBER OF WAFERS	DIM 'A'	DIM 'B'	DIM 'C'	DIM 'D'	DIM 'H' STACK HEIGHT
*75117-228	25	54.05	48.00	27.74	25.36	28
*75117-x128	10	24.05	18.00			
*75117-x028	50	104.05	98.00			
75117-x218	25	54.05	48.00	17.74	15.36	18
75117-x118	10	24.05	18.00			
75117-x018	50	104.05	98.00			

MODIFIED NOTES EC NO: UCP 2008-067 DRW:MSANDBER007/07/25 CHKD:JBINGHAM 2007/07/25 APPR:JBINGHAM 2007/07/25 REV C2	QUALITY SYMBOLS	GENERAL TOLERANCES (UNLESS SPECIFIED)	SCALE 2:1	DESIGN UNITS METRIC	THIRD ANGLE PROJECTION	REVISE ON CAD ONLY
	4 PLACES	± ---	mm	DIMENSION STYLE MM ONLY	TITLE	
	3 PLACES	± ---	INCH	DRAWN BY	DATE	
	2 PLACES	± 0.05		SREED	2003/02/27	
1 PLACE	± 0.10		CHECKED BY	DATE		
		ANGULAR ± 2 °	JBINGHAM	2003/02/27		
		DRAFT WHERE APPLICABLE MUST REMAIN WITHIN DIMENSIONS	APPROVED BY	DATE	MATERIAL NO.	DOCUMENT NO.
			CBIXLER	2003/02/27	SEE CHART	SD-75117-001
			THIS DRAWING CONTAINS INFORMATION THAT IS PROPRIETARY TO MOLEX INCORPORATED AND SHOULD NOT BE USED WITHOUT WRITTEN PERMISSION			

VHDM 8-ROW DAUGHTERCARD STACKER CONNECTOR SALES DRAWING

MOLEX INCORPORATED

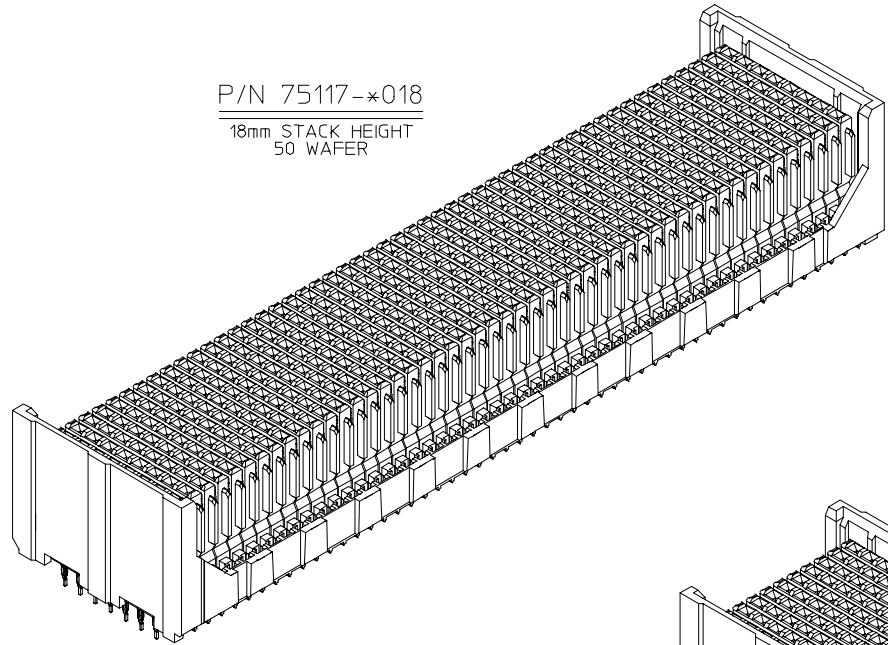
MATERIAL NO. SD-75117-001 DOCUMENT NO. SHEET NO. 1 OF 2

19 18 17 16 15 14 13 12 11 10 9 8 7 6 5 4 3 2 1

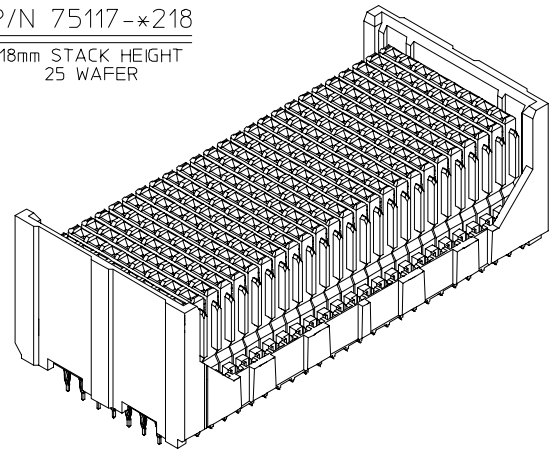
20 19 18 17 16 15 14 13 12 11 10 9 8 7 6 5 4 3 2 1

L
K
J
I
H
G
F
E
D
C
B
A

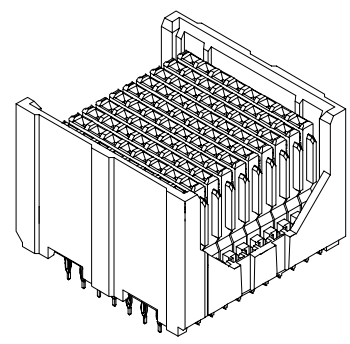
L
K
J
I
H
G
F
E
D
C
B
A



P/N 75117-*018
18mm STACK HEIGHT
50 WAFER



P/N 75117-*218
18mm STACK HEIGHT
25 WAFER



P/N 75117-*118
18mm STACK HEIGHT
10 WAFER

SEE SHEET 1 EC NO: UCP2008-067 DRW:MSANDBER007/07/25 CHKD:JBINGHAM 2007/07/25 APPR:JBINGHAM 2007/07/25	QUALITY SYMBOLS	GENERAL TOLERANCES (UNLESS SPECIFIED)	SCALE 4:1	DESIGN UNITS METRIC	THIRD ANGLE PROJECTION	REVISE ON CAD ONLY	
	▽.0	mm INCH	DIMENSION STYLE MM ONLY	TITLE	VHDM 8-ROW DAUGHTERCARD STACKER CONNECTOR SALES DRAWING		
	▽.0	4 PLACES ±.000 ±.000 3 PLACES ±.005 ±.005 2 PLACES ±0.05 ±.005 1 PLACE ±0.10 ±.005	DRAWN BY SREED DATE 2003/02/27	CHECKED BY JBINGHAM DATE 2003/02/27	MOLEX INCORPORATED		
	C2	ANGULAR ± 2 ° DRAFT WHERE APPLICABLE MUST REMAIN WITHIN DIMENSIONS	APPROVED BY CBIXLER DATE 2003/02/27	MATERIAL NO. SEE CHART	DOCUMENT NO. SD-75117-001	SHEET NO. 2 OF 2	
THIS DRAWING CONTAINS INFORMATION THAT IS PROPRIETARY TO MOLEX INCORPORATED AND SHOULD NOT BE USED WITHOUT WRITTEN PERMISSION							

19 18 17 16 15 14 13 12 11 10 9 8 7 6 5 4 3 2 1