

**PLEASE CHECK WWW.MOLEX.COM FOR LATEST PART INFORMATION**

**Part Number:** [0194190017](#)  
**Status:** **Active**  
**Overview:** [mx150l sealed connector system](#)  
**Description:** MX150L™ 12 Circuit Plug for 18-22 AWG Wire

**Documents:**

[3D Model](#) [Product Specification PS-19417-001 \(PDF\)](#)  
[Drawing \(PDF\)](#) [RoHS Certificate of Compliance \(PDF\)](#)

**Agency Certification**

CSA LR18689  
 UL E152602

**General**

Product Family Crimp Housings  
 Series [19419](#)  
 Overview [mx150l sealed connector system](#)  
 Product Literature Order No 987650-2181  
 Product Name MX150L™

**Physical**

Circuits (maximum) 12  
 Flammability 94V-0  
 Gender Male  
 Glow-Wire Compliant No  
 Lock to Mating Part Yes  
 Number of Rows 2  
 Packaging Type Bag  
 Panel Mount No  
 Pitch - Mating Interface (in) 0.230 In  
 Pitch - Mating Interface (mm) 5.84 mm  
 Polarized to Mating Part Yes  
 Stackable No  
 Temperature Range - Operating -40°C to +125°C

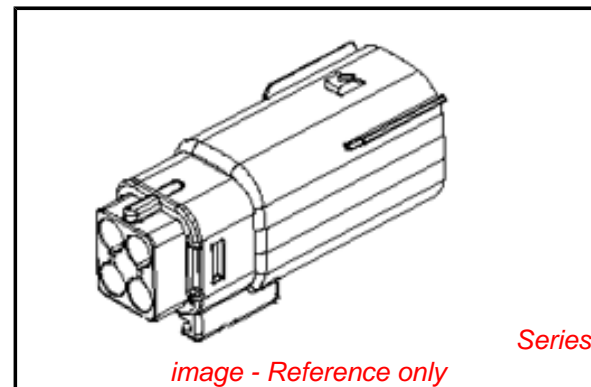
**Electrical**

Current - Maximum per Contact 18A

**Material Info**

**Reference - Drawing Numbers**

Application Specification AS-19417-001  
 Packaging Specification PK-19419-001  
 Product Specification PS-19417-001  
 Sales Drawing SD-19419-006



*image - Reference only*

**EU RoHS**

**ELV and RoHS  
 Compliant**  
**REACH SVHC**  
 Not Reviewed  
**Halogen-Free  
 Status**  
 Not Reviewed

**China RoHS**



**Need more information on product  
 environmental compliance?**

Email [productcompliance@molex.com](mailto:productcompliance@molex.com)  
 For a multiple part number RoHS Certificate of  
 Compliance, [click here](#)

Please visit the [Contact Us](#) section for any  
 non-product compliance questions.

**Search Parts in this Series**

[19419Series](#)

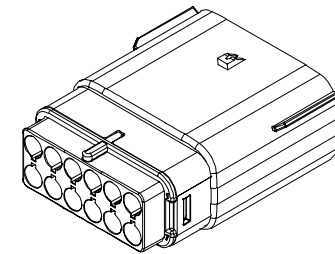
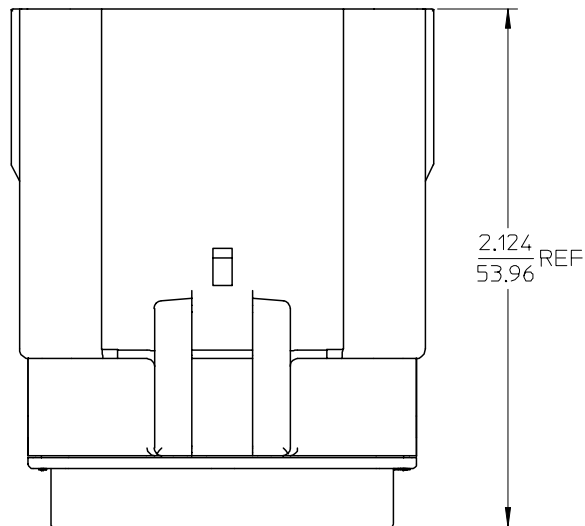
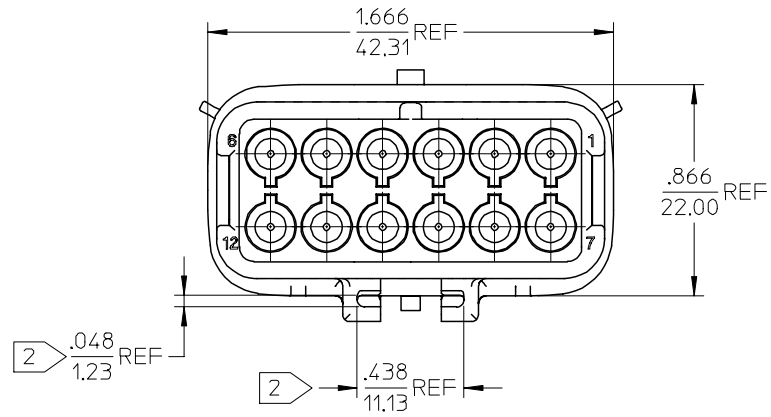
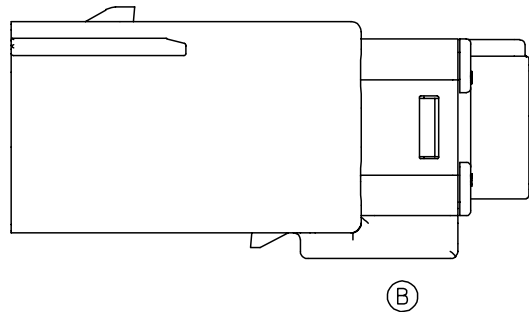
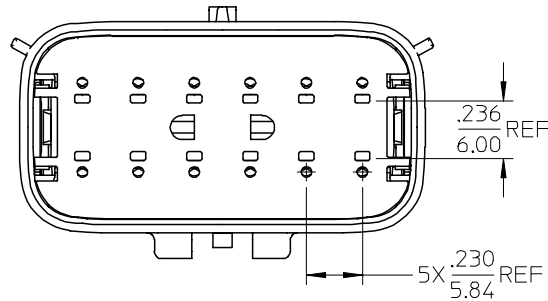
**Mates With**

[19418 Receptacle Assemblies](#)

**Use With**

[19417 Male Crimp Terminals](#)

10 9 8 7 6 5 4 3 2 19419



ASSEMBLED VIEW  
SCALE 1:1

194190018	12	16-14
194190017	12	22-18
MATERIAL NUMBER	CIRCUIT SIZE	UL WIRE AWG

NOTES:

1. ASSEMBLY PACKAGED PER PK-19419-001.
2. MOUNTING SLOT DIMENSIONS.
3. USE CONNECTOR WITH MALE CRIMP TERMINAL: SERIES 19417.

EC NO: ETC2004-0202 DRWN: DMYRICK 2004/06/03 CHKD: JPAWLICK 2004/06/03 APPR: JPAWLICK 2004/06/03	QUALITY SYMBOLS	GENERAL TOLERANCES (UNLESS SPECIFIED)		SCALE 2:1	DESIGN UNITS INCH	THIRD ANGLE PROJECTION	REVISE ON CAD ONLY	
	DESCRIPTION ▼ = 0 ∇ = 0	4 PLACES	mm	INCH	DIMENSION STYLE IN/MM		TITLE 12 WAY PLUG ASSEMBLY	
		3 PLACES	± ---	± ---	DRAWN BY DMYRICK	DATE 03/11/20	MATERIAL NO. SEE CHART	
		2 PLACES	± 0.38	± ---	CHECKED BY JPAWLICK	DATE 03/11/20	DOCUMENT NO. SD-19419-006	SHEET NO. 1 OF 1
	1 PLACE	± ---	± ---	ANGULAR ± 1 °		MATERIAL NO. SEE CHART		
		DRAFT WHERE APPLICABLE		APPROVED BY RDEROSS		DATE 03/11/20		
		MUST REMAIN WITHIN DIMENSIONS		THIS DRAWING CONTAINS INFORMATION THAT IS PROPRIETARY TO MOLEX INCORPORATED AND SHOULD NOT BE USED WITHOUT WRITTEN PERMISSION				

A

A

B

C

F

F

E

E

D

D

B

B

6

5

4

3

2

1

8

7