

PLEASE CHECK WWW.MOLEX.COM FOR LATEST PART INFORMATION

Part Number: [5018645090](#)
Status: **Active**
Overview: [ffc_fpc_smt](#)
Description: 0.50mm (.020") Pitch FFC-to-Board Connector, Receptacle Housing Assy, Right Angle, SMT, without Grounding terminals, 50 Circuits

Documents:

[3D Model](#) [Product Specification PS-501864-001 \(PDF\)](#)
[Drawing \(PDF\)](#) [RoHS Certificate of Compliance \(PDF\)](#)

General

Product Family FFC/FPC Connectors
 Series [501864](#)
 Comments without Grounding terminals
 Overview [ffc_fpc_smt](#)
 Product Name N/A

Physical

Circuits (Loaded) 50
 Color - Resin Black
 Contact Position Bottom
 Durability (mating cycles max) 20
 Entry Angle 90° Angle
 Mated Height (in) 0.191 In
 Mated Height (mm) 4.85 mm
 Material - Metal Copper Alloy
 Material - Plating Mating Gold
 Material - Plating Termination Gold
 Number of Rows 1
 Orientation Right Angle
 PCB Locator Yes
 PCB Retention Yes
 Packaging Type Embossed Tape on Reel
 Pitch - Mating Interface (in) 0.020 In
 Pitch - Mating Interface (mm) 0.50 mm
 Polarized to PCB Yes
 Stackable No
 Temperature Range - Operating -40°C to +85°C
 Termination Interface: Style Surface Mount
 Wire/Cable Type FFC only

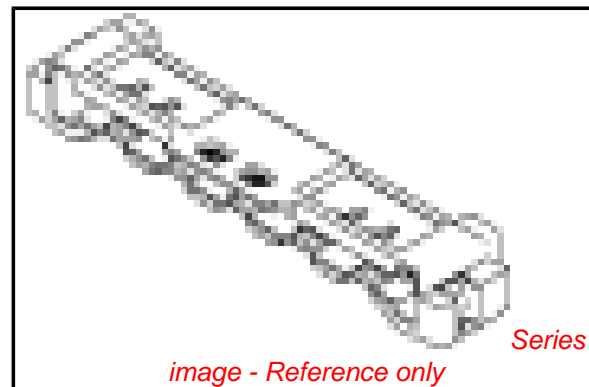
Electrical

Current - Maximum per Contact 0.5A
 Voltage - Maximum 50V AC (RMS)/DC

Material Info

Reference - Drawing Numbers

Packaging Specification SPK-501864-001
 Product Specification PS-501864-001, RPS-501864-006
 Sales Drawing SD-501864-001, SD-501864-003



EU RoHS

**ELV and RoHS
 Compliant**
**REACH SVHC
 Contains SVHC: No**
**Halogen-Free
 Status
 Not Reviewed**

China RoHS



**Need more information on product
 environmental compliance?**

Email productcompliance@molex.com
 For a multiple part number RoHS Certificate of
 Compliance, [click here](#)

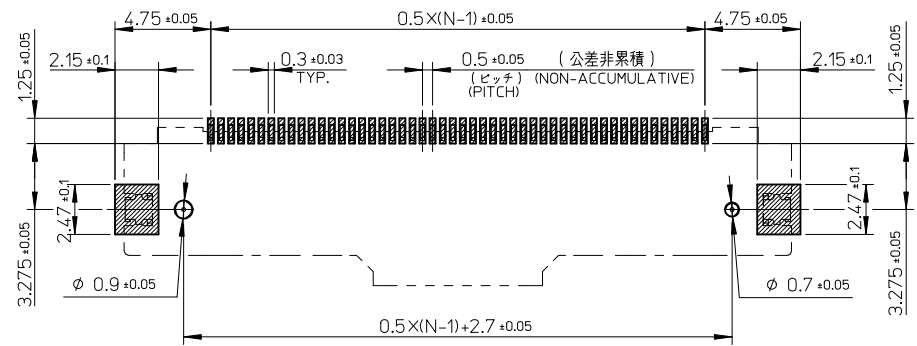
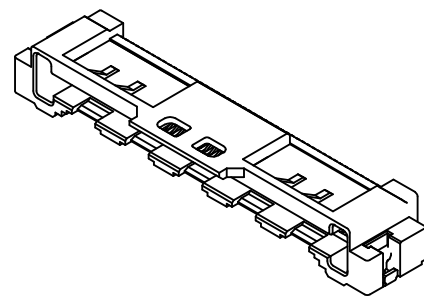
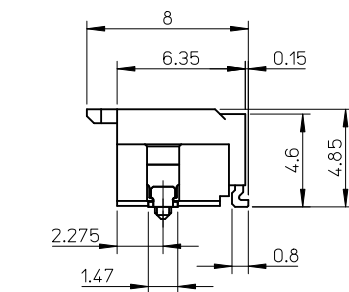
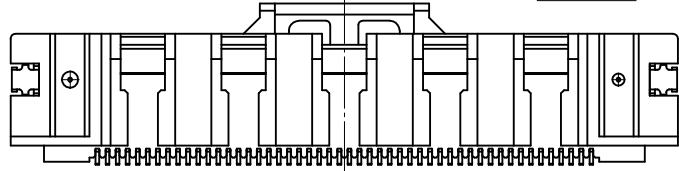
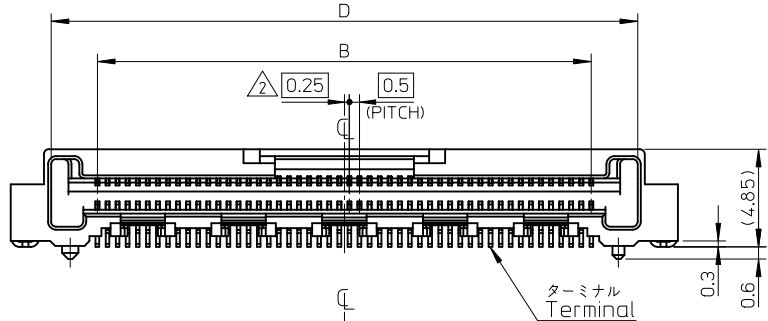
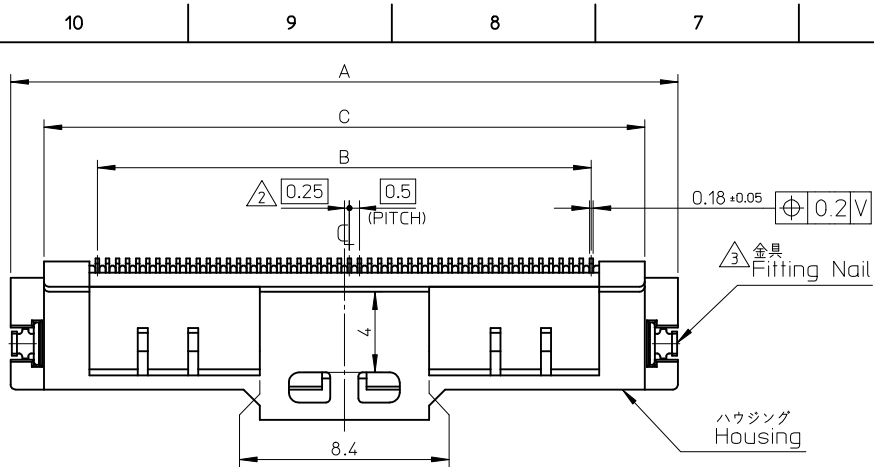
Please visit the [Contact Us](#) section for any
 non-product compliance questions.

Search Parts in this Series

[501864Series](#)

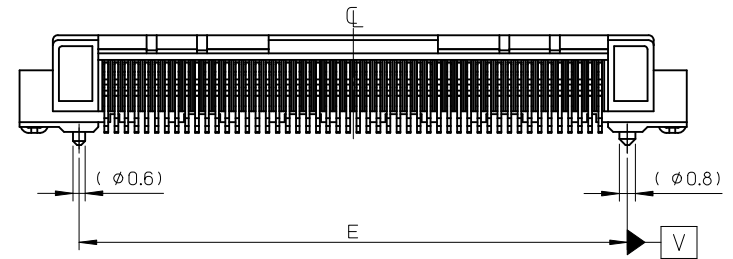
Use With

[501783-5009 Plug Jacket](#) . [501784-5009
 Plug Jacket Cover](#)



参考基板レイアウト
P.C. BOARD PATTERN
DIMENSION (REF.)

(マウント面)
(MOUNTING SIDE)



注記 1. 使用材料
NOTE MATERIAL

ハウジング
HOUSING

: 液晶ポリマー (LCP), ガラス充填,
UL94V-0 色: 黒色
LIQUID CRYSTAL POLYMER (LCP),
GLASS FILLED, UL94V-0 COLOR: BLACK

ターミナル
TERMINAL

: 銅合金 (t=0.18)
ニッケル下地 金メッキ (コンタクト、テール部)
COPPER ALLOY (t=0.18)
GOLD PLATING (CONTACT, TAIL AREA) OVER NICKEL PLATING.

金具
FITTING NAIL

: 銅合金 (t=0.25)
ニッケル下地 錫メッキ
COPPER ALLOY (t=0.25)
TIN OVER NICKEL PLATING.

△ N=偶数に通用 (N: 極数)
APPLY FOR N=EVEN (CIRCUIT)

△ 3 パターン剥離止め用金具
FITTING NAIL FOR PREVENTION OF PEELING OF P.C.B. PATTERN.

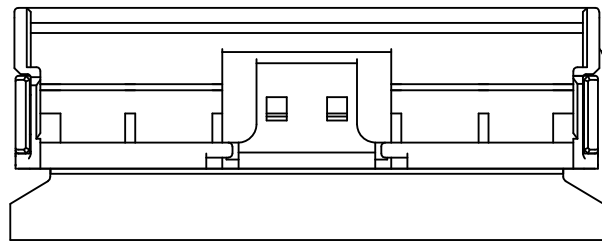
△ 適合ジャケット: 501783-**09
製品詳細寸法は SD-501783-001 を参照下さい。
APPLICABLE JACKET: 501783-**09. RE DETAILED DIMENSION, SEE SD-501783-001.

△ 5 適合ジャケットカバー: 501784-**09
製品詳細寸法は SD-501784-001 を参照下さい。
APPLICABLE JACKET: 501784-**09. RE DETAILED DIMENSION, SEE SD-501784-001.

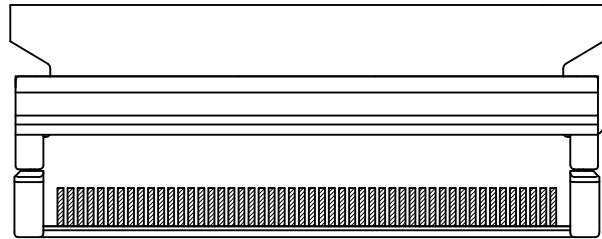
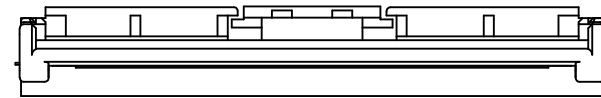
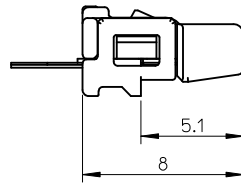
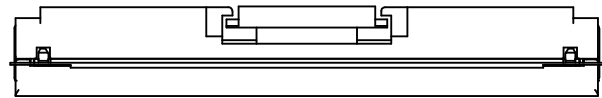
6. ELV及びRoHS適合品
ELV AND RoHS COMPLIANT

42.2	44.1	44.8	39.5	48.1	501864-8090	80
27.2	29.1	29.8	24.5	33.1	501864-5090	50
E	D	C	B	A	EMBOSSED PACKAGE	極数
オ_ORDER番号 ORDER NO.						CIRCUITS
CONNECTOR SERIES NO. 501864-**11						

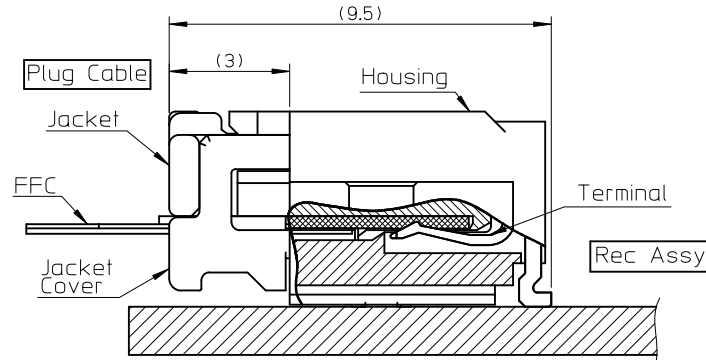
REVISED EC NO: J2010-1937 DRWN: YMORI CHKD: MATSUURA APPR: KMORIKAWA 2010/03/25 2010/03/25 2010/05/10	DESCRIPTION	GENERAL TOLERANCES (UNLESS SPECIFIED)		DIMENSION STYLE MM ONLY		SCALE //	DESIGN UNITS METRIC		THIRD ANGLE PROJECTION	
		10 UNDER	± 0.2	DRAWN BY H. IJIMA	DATE 06/01/13	TITLE 0.5 FFC TO BOARD CONN REC. HSG ASSY (RA)				
		10 OVER 30 UNDER	± 0.25	CHECKED BY K. TAKAHASHI	DATE 06/01/13	MOLEX INCORPORATED				
		30 OVER	± 0.3	APPROVED BY H. HIRATA	DATE 06/01/13					
A	REV	ANGULAR ± 1 ° DRAFT WHERE APPLICABLE MUST REMAIN WITHIN DIMENSIONS		MATERIAL NO. 501864-**11		DOCUMENT NO. SD-501864-001		SHEET NO. 1 OF 2		



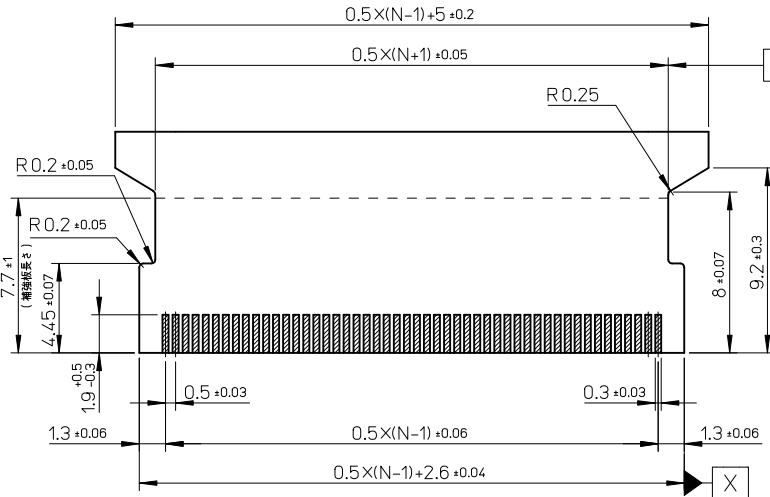
△ ジャケット
4 JACKET



△ ジャケットカバー
5 JACKET COVER



嵌合断面図



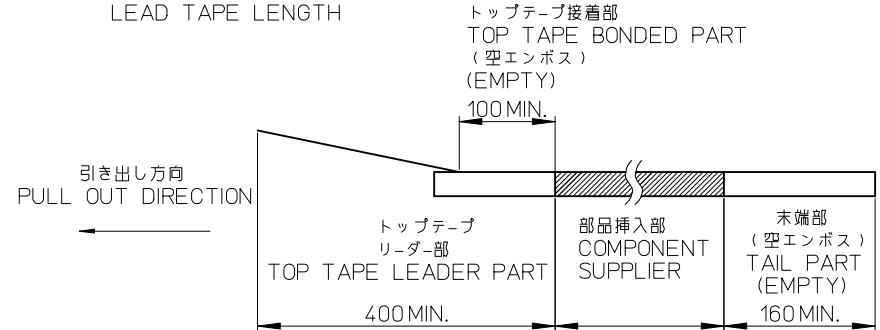
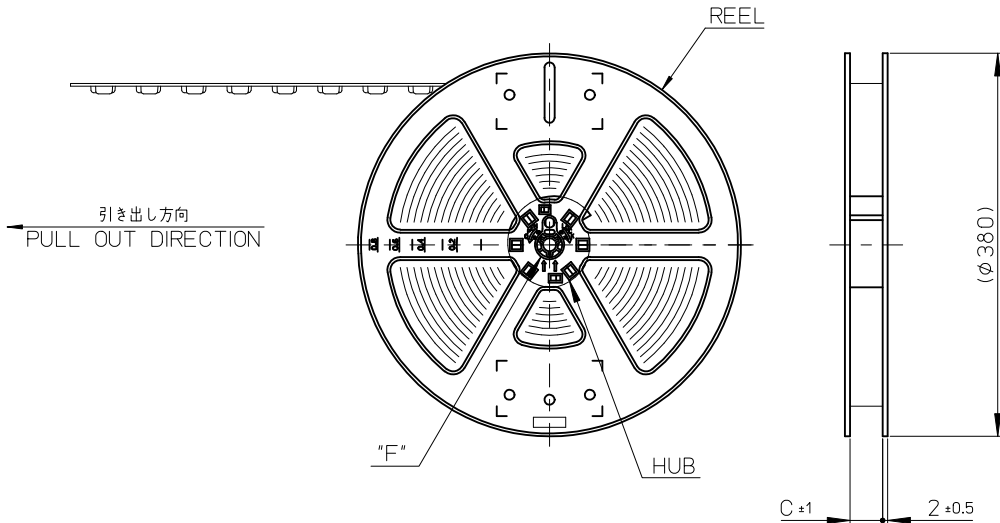
コネクタ接点部

適合FFC寸法
APPLICABLE FFC
RECOMMENDED DIMENSION
(仕上がり厚さ: 接点部 0.3 ± 0.03)

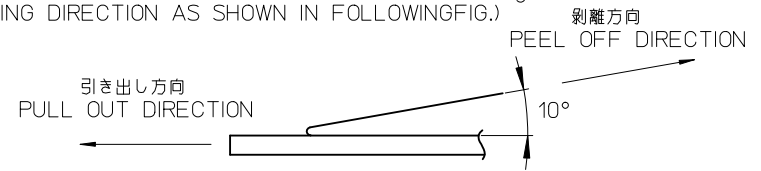
SEE SHEET 1 OF 2 EC NO: J2010-1937 DRAWN: YMORI CHKD: N. MATSUURA 2010/03/25 APPR: K. MORIKAWA 2010/05/10	GENERAL TOLERANCES (UNLESS SPECIFIED)		DIMENSION STYLE MM ONLY	SCALE //	DESIGN UNITS METRIC	THIRD ANGLE PROJECTION
	10 UNDER	± 0.2	DRAWN BY H. IJIMA	DATE 06/01/13	TITLE 0.5 FFC TO BOARD CONN REC. HSG ASSY(RA)	
	10 OVER 30 UNDER	± 0.25	CHECKED BY K. TAKAHASHI	DATE 06/01/13	MOLEX INCORPORATED	
	30 OVER	± 0.3	APPROVED BY H. HIRATA	DATE 06/01/13	MATERIAL NO. 501864-***11	DOCUMENT NO. SD-501864-001
ANGULAR $\pm 1^\circ$		DRAFT WHERE APPLICABLE MUST REMAIN WITHIN DIMENSIONS		THIS DRAWING CONTAINS INFORMATION THAT IS PROPRIETARY TO MOLEX INCORPORATED AND SHOULD NOT BE USED WITHOUT WRITTEN PERMISSION		

NOTES

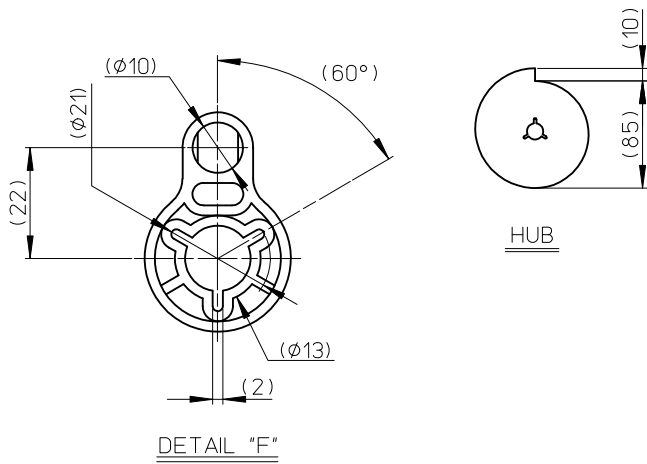
- 極包数量：900 個/リール
NUMBER OF CONNECTORS:900 PCS/REEL
- リードテープ長さ
LEAD TAPE LENGTH



- トップテープの剥離強度：0.1~1.47N(10~150gf)
(剥離方向は下図参照)
剥離速度：300mm/MIN.(参考)
PEEL-OFF FORCE OF TOP TAPE : 0.1~1.47N(10~150gf)
(PEELING DIRECTION AS SHOWN IN FOLLOWINGFIG.)



- 製品詳細寸法については図面 SD-501864-001を参照下さい。
RE DETAILED DIMENSION, SEE SD-501864-001.
- 材料(MATERIAL)
キャリアテープ(CARRIER TAPE)：ポリスチレン(POLYSTYRENE)
トップテープ(TOP TAPE)：PET, PE, PE
リール(REEL)：ポリスチレン(POLYSTYRENE)
- ELV及びRoHS適合品
ELV AND RoHS COMPLIANT

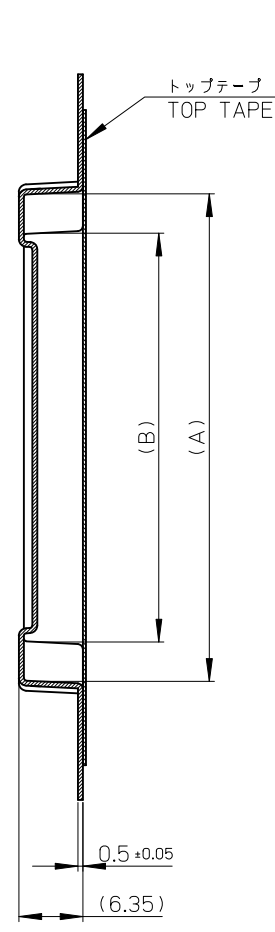


DETAIL "F"

REVISED EC NO: J2010-1937 DRWN: YMORI 2010/03/25 CHKD: MATSUURA 2010/03/25 APPR: KMORIKAWA 2010/05/10	DESCRIPTION REV	GENERAL TOLERANCES (UNLESS SPECIFIED)		DIMENSION STYLE MM ONLY		SCALE ---	DESIGN UNITS METRIC	THIRD ANGLE PROJECTION		
		10 UNDER	±0.2	DRAWN BY H. IJIMA	DATE 06/01/17	TITLE EMBSTP PKG FOR 0.5 FFC TO BOARD CONN RA TYPE				
		10 OVER 30 UNDER	±0.25	CHECKED BY K. TAKAHASHI	DATE 06/01/17	MOLEX INCORPORATED				
		30 OVER	±0.3	APPROVED BY H. HIRATA	DATE 06/01/17					
ANGULAR ±1 °		DRAFT WHERE APPLICABLE MUST REMAIN WITHIN DIMENSIONS		MATERIAL NO. 501864-***90	DOCUMENT NO. SD-501864-002	SHEET NO. 1 OF 2				

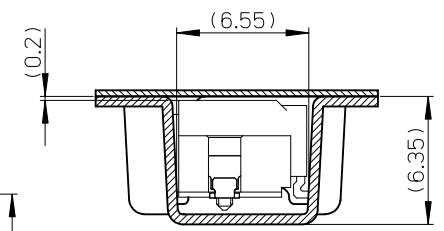
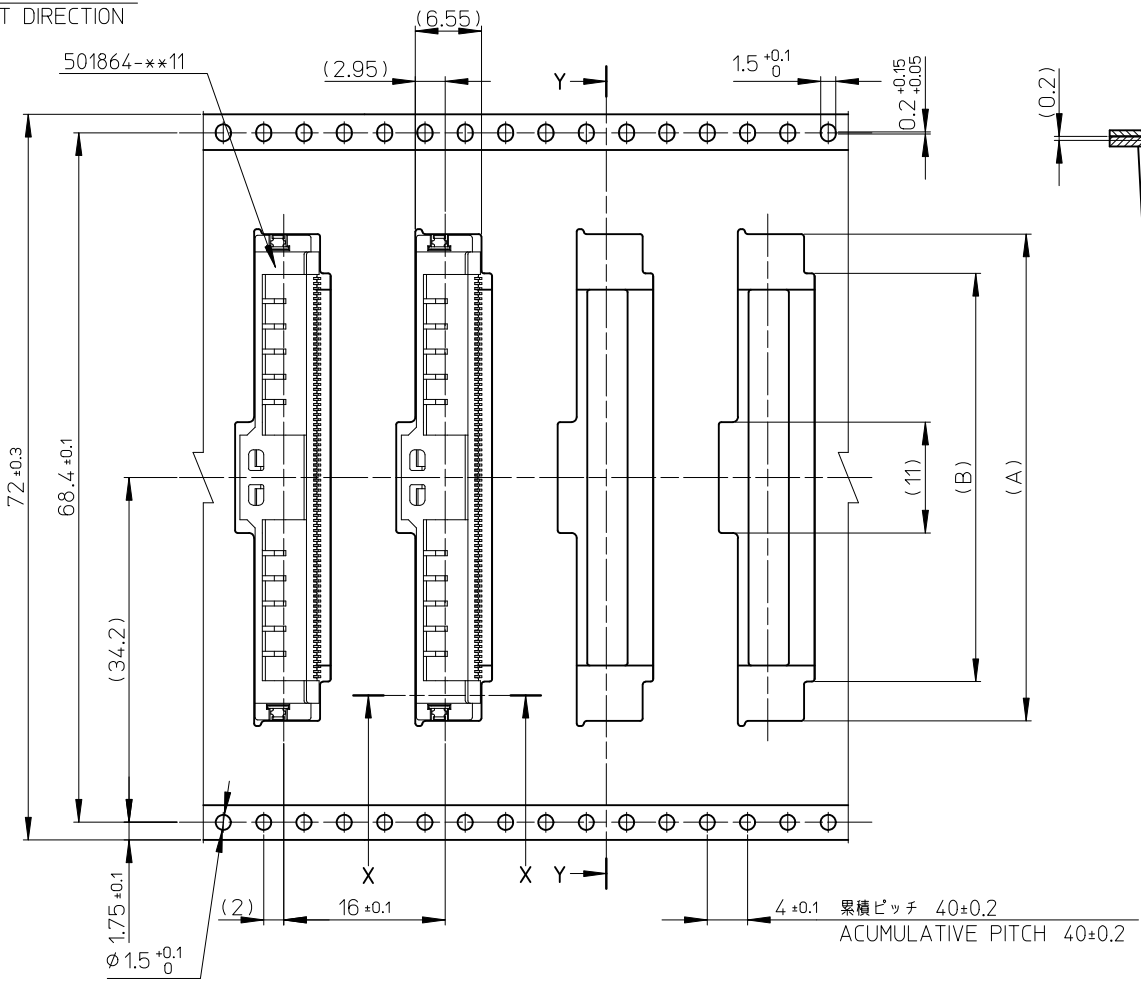
10 9 8 7 6 5 4 3 2 1

引き出し方向
PULL OUT DIRECTION



SECT. Y-Y

72mm幅キャリアテープ
72mm WIDTH CARRIER TAPE



SECT. X-X

72	73.5	40.5	48.3	501864-8090	80
キャリアテープ幅 CARRIER TAPE WIDTH			C	B	A
				オーダー番号 ORDER NO.	極数 CKT

SEE SHEET 1 OF 2 EC NO.: J2010-1937 DRWN: Y.MORI 2010/03/25 CHKD: MATSUURA 2010/03/25 APPR: KMORIKAWA 2010/05/10	DESCRIPTION REV: A	GENERAL TOLERANCES (UNLESS SPECIFIED)		DIMENSION STYLE MM ONLY		SCALE ---	DESIGN UNITS METRIC	THIRD ANGLE PROJECTION	
		10 UNDER	±0.2	DRAWN BY H. IJIMA	DATE 06/01/17	TITLE EMBSTP PKG FOR 0.5 FFC TO BOARD CONN RA TYPE			
		10 OVER 30 UNDER	±0.25	CHECKED BY K. TAKAHASHI	DATE 06/01/17	MOLEX INCORPORATED			
		30 OVER	±0.3	APPROVED BY H. HIRATA	DATE 06/01/17				
ANGULAR ±1 °		DRAFT WHERE APPLICABLE MUST REMAIN WITHIN DIMENSIONS		MATERIAL NO. 501864-**90	DOCUMENT NO. SD-501864-002	SHEET NO. 2 OF 2			