

**PLEASE CHECK WWW.MOLEX.COM FOR LATEST PART INFORMATION**

**Part Number:** [0746421002](#)  
**Status:** **Active**  
**Overview:** [ganged\\_rf](#)  
**Description:** 6.25mm (.246") Pitch Ganged RF Receptacle, Right Angle, 4 Circuits

**Documents:**

[Drawing \(PDF\)](#) [RoHS Certificate of Compliance \(PDF\)](#)  
[Product Specification PS-74854-001 \(PDF\)](#)

**Agency Certification**

CSA LR19980  
 UL E107635

**General**

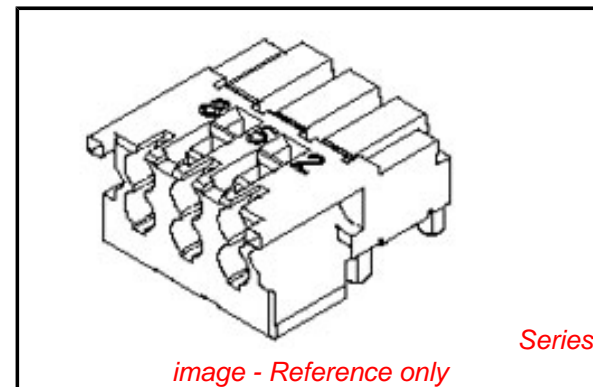
Product Family Backplane Connectors  
 Series [74642](#)  
 Application Daughtercard  
 Comments Ports Numbered 2 and 8 Loaded  
 Component Type PCB Receptacle  
 Overview [ganged\\_rf](#)  
 Product Name Ganged RF  
 Style N/A

**Physical**

Circuits (Loaded) 4  
 Circuits (maximum) 6  
 Color - Resin Natural  
 Durability (mating cycles max) 500  
 First Mate / Last Break No  
 Flammability 94V-0  
 Guide to Mating Part No  
 Keying to Mating Part None  
 Material - Metal High Performance Alloy (HPA)  
 Material - Resin High Temperature Thermoplastic  
 Number of Columns 3  
 Number of Pairs N/A  
 Number of Rows 2  
 Orientation Right Angle  
 PC Tail Length (in) 0.093 In  
 PC Tail Length (mm) 2.36 mm  
 PCB Locator Yes  
 PCB Retention None  
 PCB Thickness Recommended (in) 0.125 In  
 PCB Thickness Recommended (mm) 3.20 mm  
 Packaging Type Tray  
 Pitch - Mating Interface (in) 0.246 In  
 Pitch - Mating Interface (mm) 6.25 mm  
 Polarized to PCB Yes  
 Stackable Yes  
 Surface Mount Compatible (SMC) Yes  
 Temperature Range - Operating -40°C to +85°C  
 Termination Interface: Style Through Hole - Compliant Pin

**Electrical**

Current - Maximum per Contact 1A  
 Data Rate 3.0 Gbps



*image - Reference only*

**EU RoHS**

**RoHS Compliant by Exemption**

**REACH SVHC**

Not Reviewed

**Halogen-Free**

**Status**

**Not Halogen-Free**

**China RoHS**



Pb

**Need more information on product environmental compliance?**

Email [productcompliance@molex.com](mailto:productcompliance@molex.com)  
 For a multiple part number RoHS Certificate of Compliance, [click here](#)

Please visit the [Contact Us](#) section for any non-product compliance questions.

**Search Parts in this Series**

[74642Series](#)

**Mates With**

[74712 Ganged RF Header](#)

Shielded  
Voltage - Maximum

No  
50V AC

**Material Info**

**Reference - Drawing Numbers**

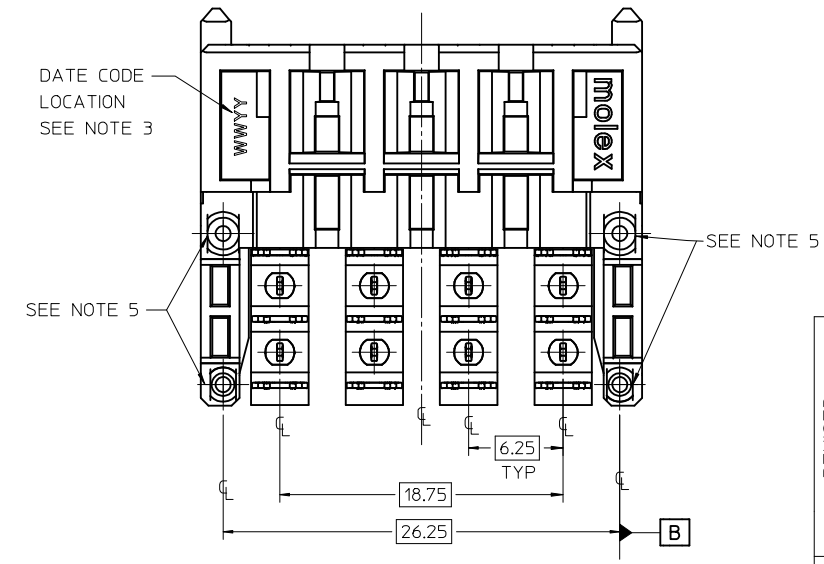
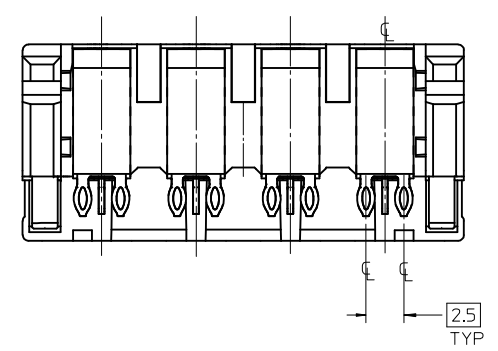
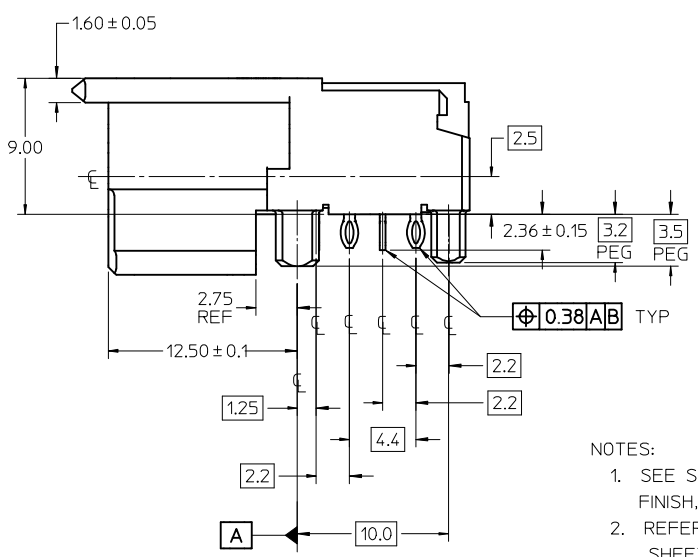
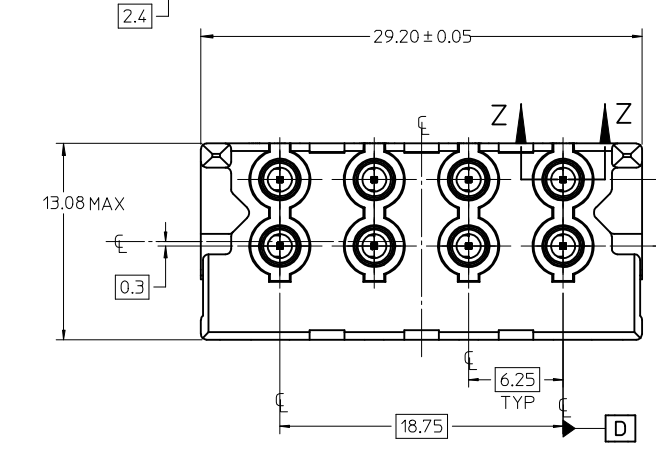
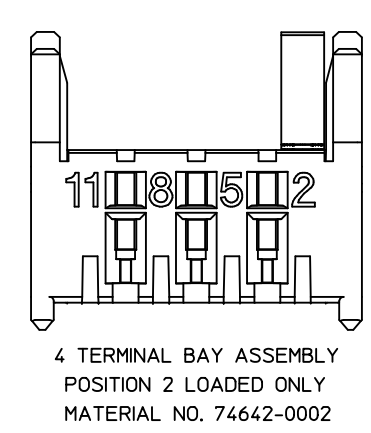
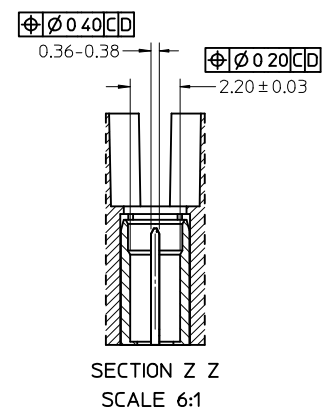
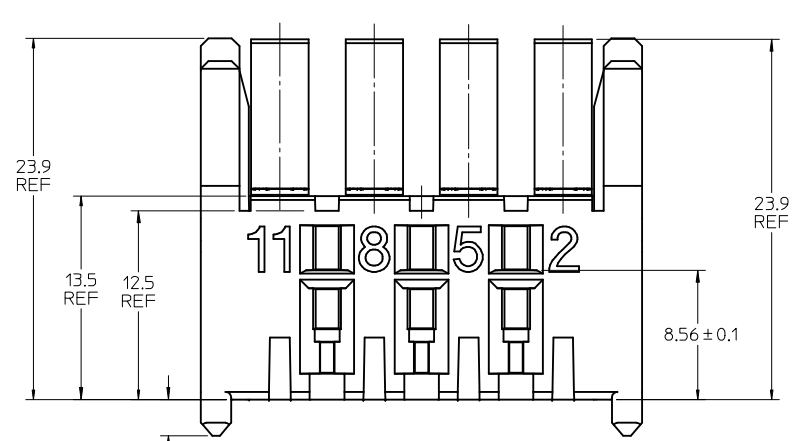
Packaging Specification  
Product Specification  
Sales Drawing

PK-74642-001  
PS-74854-001  
SD-74642-001

This document was generated on 05/15/2010

**PLEASE CHECK [WWW.MOLEX.COM](http://WWW.MOLEX.COM) FOR LATEST PART INFORMATION**

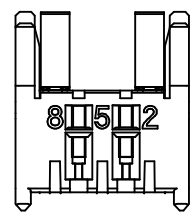
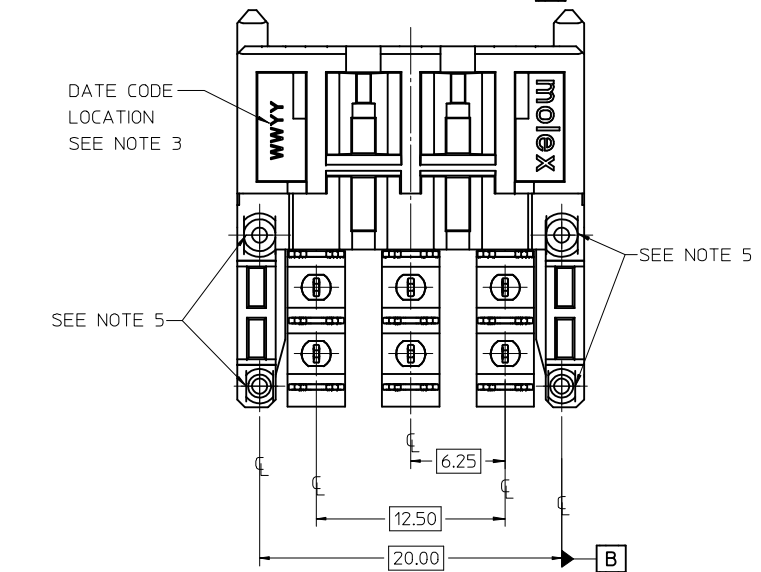
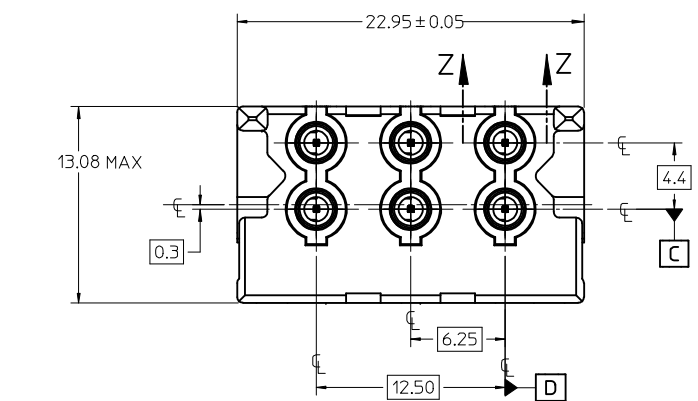
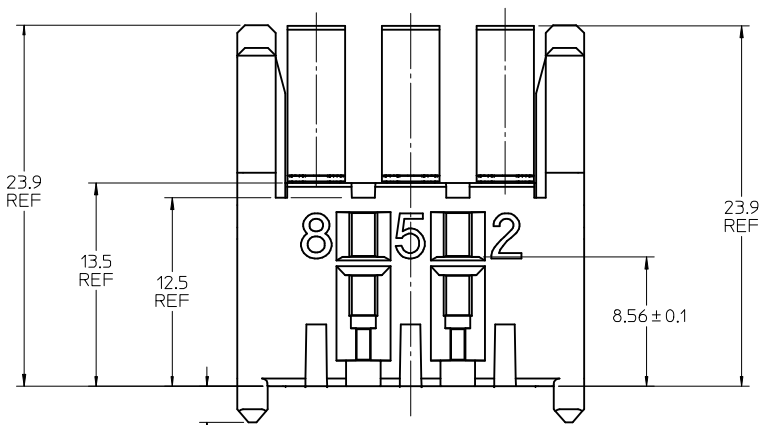
74642	
MATERIAL NO.	TERMINAL LOADING BY POSITION
74642-0001	2, 5, 8, 11
74642-0002	2



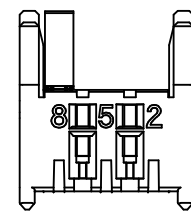
4 TERMINAL BAY ASSEMBLY  
POSITION 2,5,8,11 SHOWN  
MATERIAL NO. 74642-0001

- NOTES:
- SEE SHEET 4 FOR ALL NOTES PERTAINING TO MATERIAL, FINISH, PRODUCT SPECIFICATIONS AND PACKAGING.
  - REFER TO SHEET 2 FOR THE 3 TERMINAL BAY ASSEMBLY, SHEET 3 FOR THE 5 TERMINAL BAY ASSEMBLY AND SHEET 4 THEIR RELATED MATERIAL NUMBERS
  - DATE CODE TO BE LASER MARKED ON BOTTOM OF ASSEMBLY IN THE RECESSED POCKET LOCATION SHOWN.

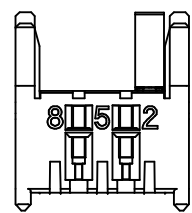
REVISED EC NO: UCP2009-0995 DRWN: JMENDOZA 2008/10/21 CHKD: 2008/10/21 APPR: BINGHAM 2008/10/21	QUALITY SYMBOLS	GENERAL TOLERANCES (UNLESS SPECIFIED)		SCALE 4:1	DESIGN UNITS METRIC	THIRD ANGLE PROJECTION	REVISE ON CAD ONLY
	-0 c.0	4 PLACES	mm	INCH	DIMENSION STYLE MM ONLY		TITLE SALES DRAWING FOR R/A GANGED RF CONNECTOR ASSEMBLIES
		3 PLACES	± ---	± ---	DRAWN BY J. LONG	DATE 01-02-08	
		2 PLACES	± 0.13	± ---	CHECKED BY J. LONG	DATE 01-02-08	MATERIAL NO. SEE CHART
	1 PLACE	± 0.25	± ---	APPROVED BY REGNIER	DATE 01-03-20	SHEET NO. 1 OF 4	
J2	DESCRIPTION	DRAFT WHERE APPLICABLE MUST REMAIN WITHIN DIMENSIONS		THIS DRAWING CONTAINS INFORMATION THAT IS PROPRIETARY TO MOLEX INCORPORATED AND SHOULD NOT BE USED WITHOUT WRITTEN PERMISSION			



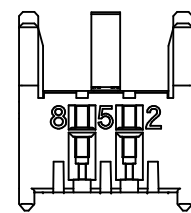
3 TERMINAL BAY ASSEMBLY  
POSITIONS 2 & 8 LOADED  
MATERIAL NO. 74642-1002



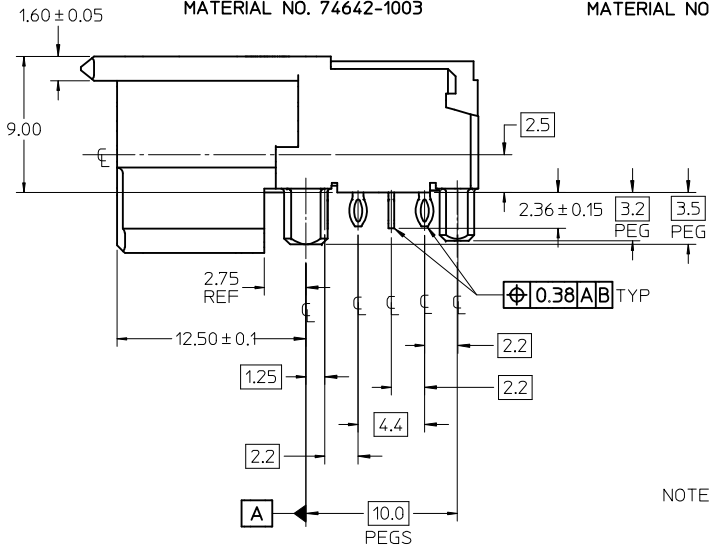
3 TERMINAL BAY ASSEMBLY  
POSITION 8 LOADED  
MATERIAL NO. 74642-1004



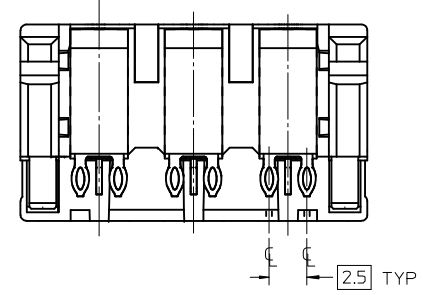
3 TERMINAL BAY ASSEMBLY  
POSITION 2 LOADED  
MATERIAL NO. 74642-1003



3 TERMINAL BAY ASSEMBLY  
POSITION 5 LOADED  
MATERIAL NO. 74642-1005



3 TERMINAL BAY ASSEMBLY  
POSITION 2,5,8 SHOWN  
MATERIAL NO. 74642-1001

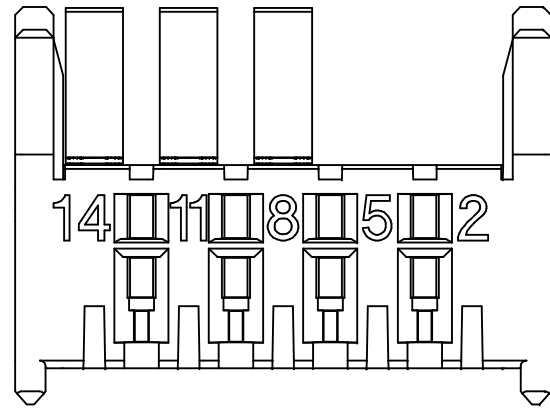
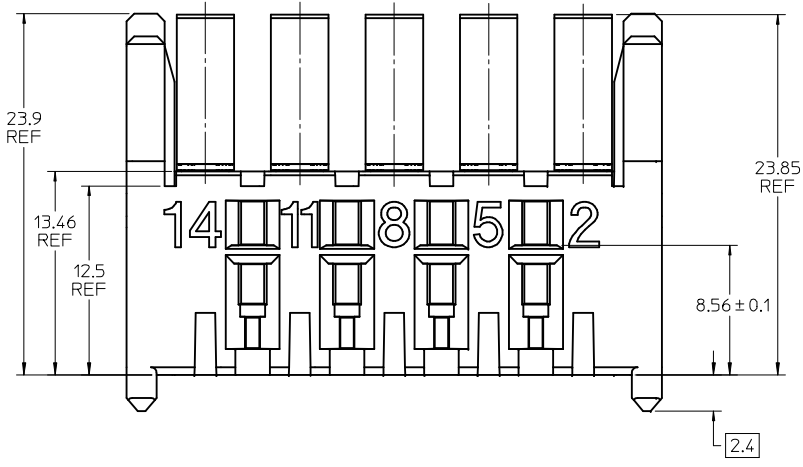


NOTE: REFER TO SHEET 1 FOR ALL DIMENSIONS,  
SECTION VIEW AND NOTES NOT SHOWN.

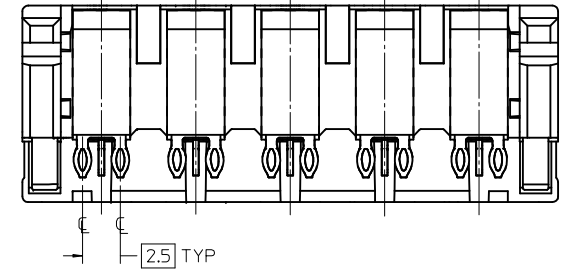
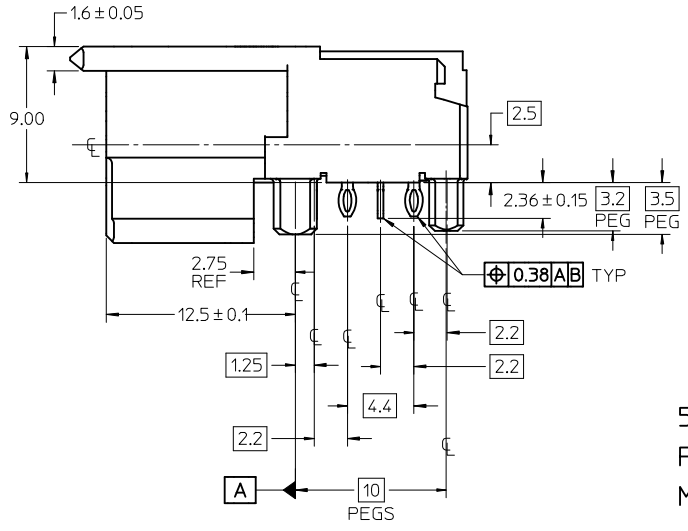
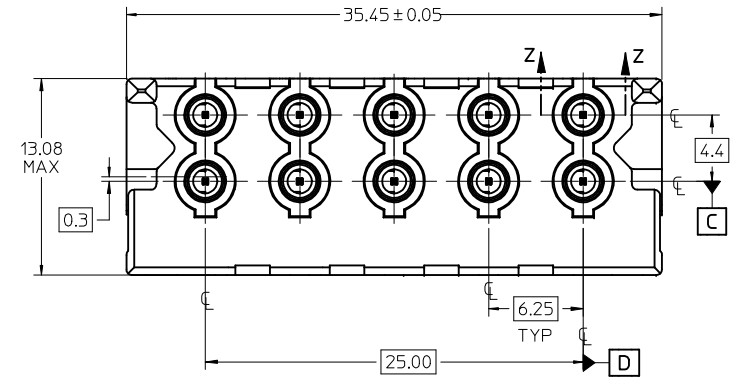
74642	
MATERIAL NO.	TERMINAL LOADING BY POSITION
74642-1001	2, 5, 8
74642-1002	2, 8
74642-1003	2
74642-1004	8
74642-1005	5

SEE SHEET 1 EC NO: UCP2009-0995 DRWN: JMENDOZA 2008/10/21 CHKD: 2008/10/21 APPR: BINGHAM 2008/10/21	QUALITY SYMBOLS	GENERAL TOLERANCES (UNLESS SPECIFIED)		SCALE 4:1	DESIGN UNITS METRIC	THIRD ANGLE PROJECTION	REVISE ON CAD ONLY
	▼ -0 ∇ -0		mm	INCH	DIMENSION STYLE MM ONLY		TITLE SALES DRAWING FOR R/A GANGED RF CONNECTOR ASSEMBLIES MOLEX INCORPORATED
		4 PLACES	± ---	± ---	DRAWN BY DATE	J. LONG 01-02-08	
		3 PLACES	± ---	± ---	CHECKED BY DATE	J. LONG 01-02-08	
	2 PLACES	± 0.13	± ---	APPROVED BY DATE	REGNIER 01-03-20	MATERIAL NO. SEE CHART	DOCUMENT NO. SD-74642-001
	1 PLACE	± 0.25	± ---	DRAFT WHERE APPLICABLE MUST REMAIN WITHIN DIMENSIONS		SHEET NO. 2 OF 4	
		ANGULAR ± 2 °		THIS DRAWING CONTAINS INFORMATION THAT IS PROPRIETARY TO MOLEX INCORPORATED AND SHOULD NOT BE USED WITHOUT WRITTEN PERMISSION			

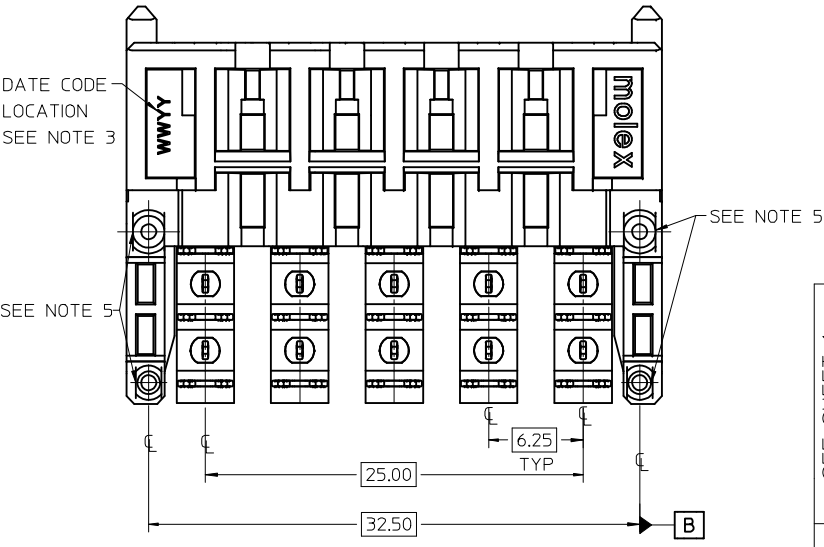
MATERIAL NO.	74642
74642-2001	2, 5, 8, 11, 14
74642-2002	8, 11, 14



5 TERMINAL BAY ASSEMBLY  
POSITION 8,11,14 SHOWN  
MATERIAL NO. 74642-2002

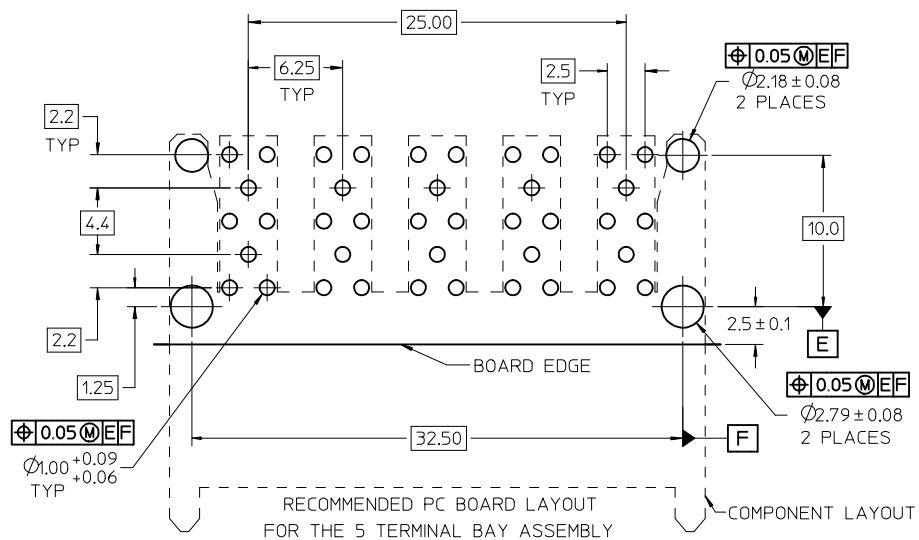
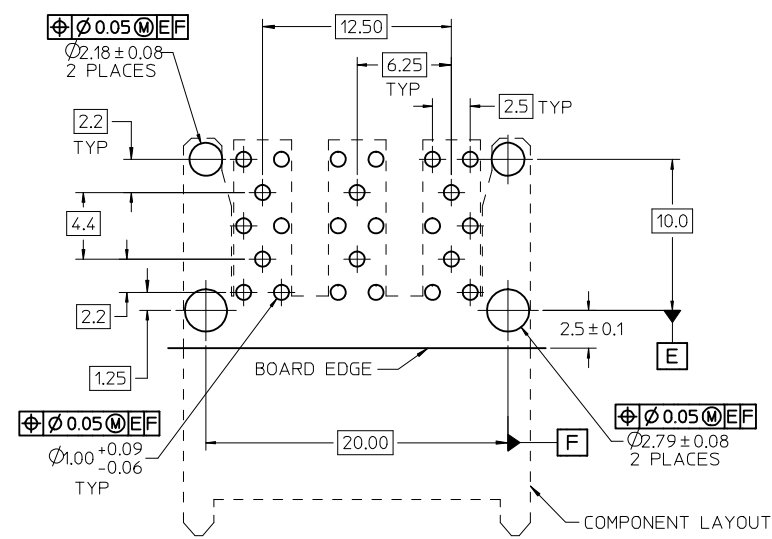
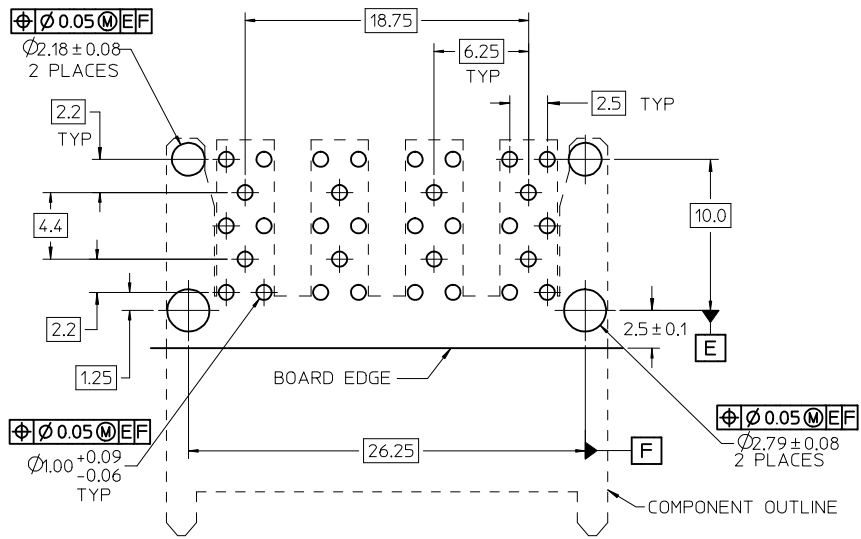


5 TERMINAL BAY ASSEMBLY  
POSITION 2,5,8,11,14 SHOWN  
MATERIAL NO. 74642-2001



NOTE: REFER TO SHEET 1 FOR ALL DIMENSIONS,  
SECTION VIEW AND NOTES NOT SHOWN.

SEE SHEET 1 EC NO: UCP2009-0995 DRWN: J.MENDOZA 2008/10/21 CHKD: 2008/10/21 APPR: J.BINGHAM 2008/10/21	QUALITY SYMBOLS	GENERAL TOLERANCES (UNLESS SPECIFIED)	SCALE 4:1	DESIGN UNITS METRIC	THIRD ANGLE PROJECTION	REVISE ON CAD ONLY															
	▼ - 0 ∇ - 0	<table border="1"> <tr> <th></th> <th>mm</th> <th>INCH</th> </tr> <tr> <td>4 PLACES</td> <td>± ---</td> <td>± ---</td> </tr> <tr> <td>3 PLACES</td> <td>± ---</td> <td>± ---</td> </tr> <tr> <td>2 PLACES</td> <td>± 0.13</td> <td>± ---</td> </tr> <tr> <td>1 PLACE</td> <td>± 0.25</td> <td>± ---</td> </tr> </table> ANGULAR ± 2 °		mm	INCH	4 PLACES	± ---	± ---	3 PLACES	± ---	± ---	2 PLACES	± 0.13	± ---	1 PLACE	± 0.25	± ---	DIMENSION STYLE MM ONLY		TITLE	
				mm	INCH																
	4 PLACES	± ---	± ---																		
3 PLACES	± ---	± ---																			
2 PLACES	± 0.13	± ---																			
1 PLACE	± 0.25	± ---																			
DRAFT WHERE APPLICABLE MUST REMAIN WITHIN DIMENSIONS	APPROVED BY REGNIER	DATE 01-03-20	MATERIAL NO. SEE CHART		DOCUMENT NO. SD-74642-001	SHEET NO. 3 OF 4															
THIS DRAWING CONTAINS INFORMATION THAT IS PROPRIETARY TO MOLEX INCORPORATED AND SHOULD NOT BE USED WITHOUT WRITTEN PERMISSION																					



- NOTES:
- MATERIAL:
    - R/A HSG: GLASS FILLED LIQUID CRYSTAL POLYMER, COLOR: NATURAL
    - OVERMOLDED TERMINAL ASSEMBLY: GLASS FILLED HIGH TEMP PLASTIC
    - INSERT MOLDED TERMINAL: GLASS FILLED LIQUID CRYSTAL POLYMER, COLOR NATURAL (ALL ABOVE HOUSINGS ARE UL 94V-0)
    - SLEEVE: BRASS
    - TERMINALS AND GROUNDS: TIN BRASS
    - DIE-CAST SHELLS: ZINC
  - FINISH:
    - TERMINALS:
      - SELECTIVE 0.76 MICRONS MIN. GOLD (Au) IN CONTACT AREA
      - SELECTIVE 0.88 MICRONS MIN. TIN (Sn) ALLOY IN THE PC TAIL AREA
      - BOTH OVER 1.27 MICRONS MIN. NICKEL (Ni) UNDERPLATE.
    - GROUNDS:
      - 0.88 MICRONS MIN. TIN (Sn) ALLOY OVERALL
      - OVER 1.27 MICRONS MIN. NICKEL (Ni) UNDERPLATE.
    - DIE-CAST SHIELDS:
      - 3.05 MICRONS MIN. BRIGHT TIN (Sn) ALLOY OVER
      - 1.27 MICRONS MIN. NICKEL (Ni) ALLOY OVER:
      - BOTH OVER 8.13 MICRONS MIN. COPPER (Cu) UNDERPLATE.
  - REFER TO PS-74854-001 PRODUCT SPEC FOR ALL ELECTRICAL, MECHANICAL AND ENVIRONMENTAL SPECIFICATIONS.
  - REFER TO PK-74642-001 FOR ALL PACKAGING SPECIFICATIONS.
  - THESE PARTS CONFORM TO MOLEX COSMETIC SPECIFICATION PS-45499-002 CLASS B, EXCEPT ON THE PLASTIC PEGS, CLASS C

ADD NOTE 5 EC NO: JCP2009-0995 DRWN: JMENDOZA 2008/10/21 CHKD: 2008/10/21 APPR: JBINGHAM 2008/10/21	QUALITY SYMBOLS	GENERAL TOLERANCES (UNLESS SPECIFIED)	SCALE 4:1	DESIGN UNITS METRIC	THIRD ANGLE PROJECTION	REVISE ON CAD ONLY
	▼ -0 ∇ ±0	mm	INCH	DIMENSION STYLE		TITLE
		4 PLACES ± ---	± ---	MM ONLY		
	REV	DRAFT WHERE APPLICABLE	MUST REMAIN WITHIN DIMENSIONS	APPROVED BY DATE		MATERIAL NO. DOCUMENT NO.
J2			REGNIER 01-03-20		SEE CHARTS SD-74642-001	
			THIS DRAWING CONTAINS INFORMATION THAT IS PROPRIETARY TO MOLEX INCORPORATED AND SHOULD NOT BE USED WITHOUT WRITTEN PERMISSION		SHEET NO. 4 OF 4	