

PLEASE CHECK WWW.MOLEX.COM FOR LATEST PART INFORMATION

Part Number: [0678005025](#)

Status: **Active**

Overview: [serial_ata_products](#)

Description: 1.27mm (.050") Pitch Serial ATA High Speed Header, Vertical, Surface Mount, with Locking Latch, 7 Circuits, 0.38µm (15µ") Gold (Au) Plating, for 2.40mm (.094") PCB, with PCB Locator Pegs, Lead-free

Documents:

[3D Model](#)

[Drawing \(PDF\)](#)

[RoHS Certificate of Compliance \(PDF\)](#)

Agency Certification

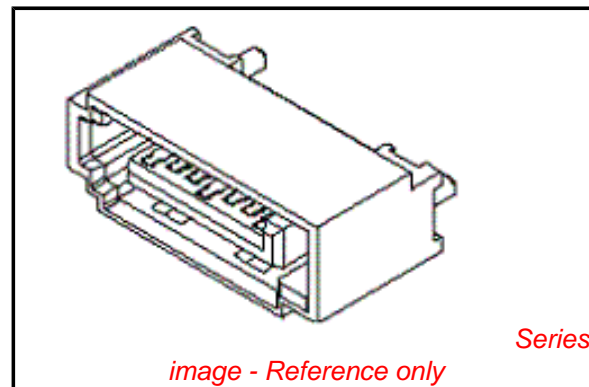
CSA LR 19980
UL E29179

General

Product Family PCB Headers
Series [67800](#)
Application Board-to-Board, Wire-to-Board
Comments Staggered Solder Pin|Metal Post Length 3.45mm (.136")
Overview [serial_ata_products](#)
Product Name Serial ATA

Physical

Breakaway No
Circuits (Loaded) 7
Circuits (maximum) 7
Color - Resin Black
Durability (mating cycles max) 50
First Mate / Last Break Yes
Flammability 94V-0
Glow-Wire Compliant No
Guide to Mating Part No
Keying to Mating Part Yes
Lock to Mating Part Yes
Material - Metal Brass
Material - Plating Mating Gold
Material - Plating Termination Tin
Material - Resin High Temperature Thermoplastic
Number of Rows 1
Orientation Vertical
PCB Locator Yes
PCB Retention Yes
Packaging Type Tray
Pitch - Mating Interface (in) 0.050 In
Pitch - Mating Interface (mm) 1.27 mm
Pitch - Term. Interface (in) 0.050 In
Pitch - Term. Interface (mm) 1.27 mm
Plating min: Mating (µin) 15
Plating min: Mating (µm) 0.38
Plating min: Termination (µin) 75
Plating min: Termination (µm) 1.9
Polarized to Mating Part Yes
Polarized to PCB Yes
Shrouded Fully
Stackable No



EU RoHS

**ELV and RoHS
Compliant**
REACH SVHC
Not Reviewed
**Halogen-Free
Status**

China RoHS



Not Reviewed

**Need more information on product
environmental compliance?**

Email productcompliance@molex.com
For a multiple part number RoHS Certificate of Compliance, [click here](#)

Please visit the [Contact Us](#) section for any non-product compliance questions.

Search Parts in this Series

[67800Series](#)

Temperature Range - Operating -35°C to +85°C
Termination Interface: Style Surface Mount

Electrical

Current - Maximum per Contact 1.5A
Voltage - Maximum 15V DC

Solder Process Data

Lead-free Process Capability Reflow Capable (SMT only)

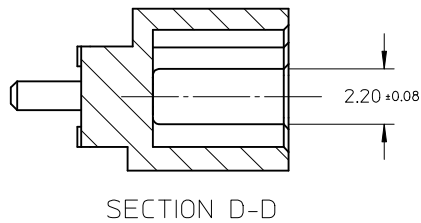
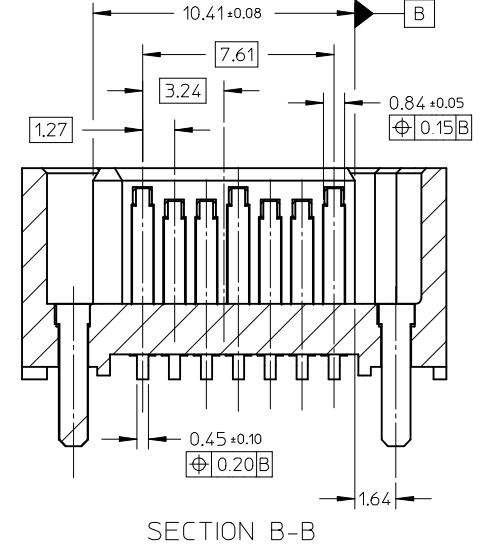
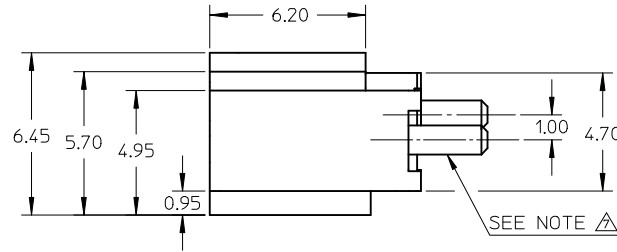
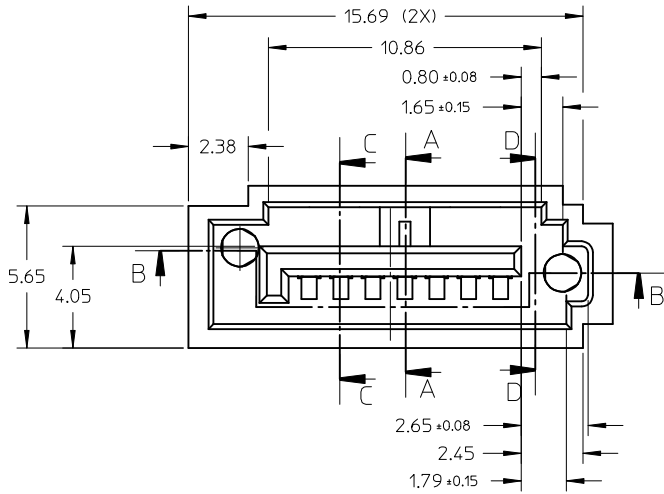
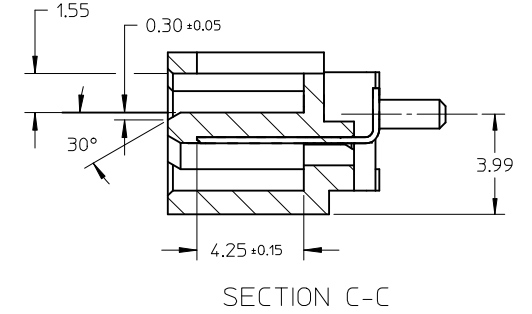
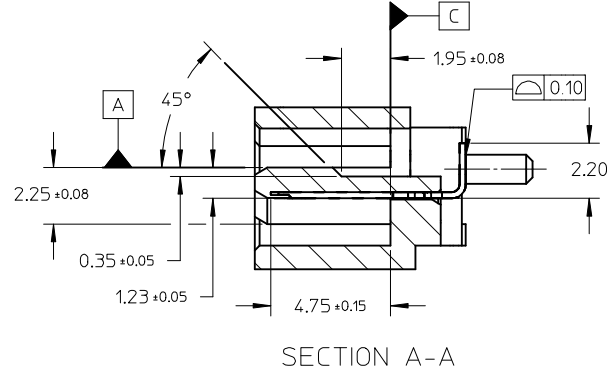
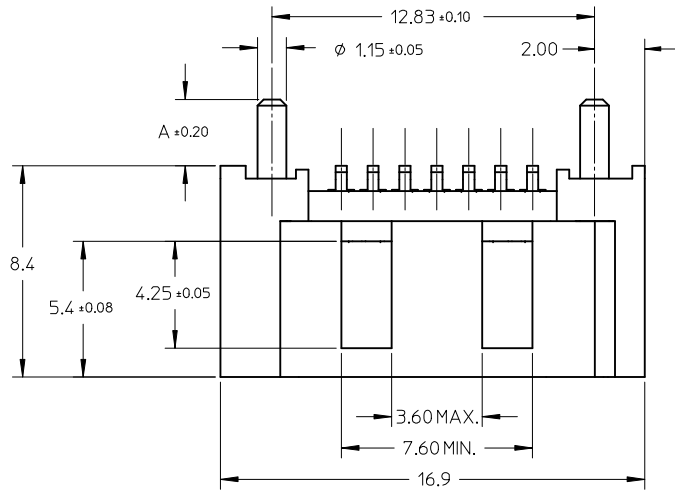
Material Info

Reference - Drawing Numbers

Packaging Specification PK-67800-001
Sales Drawing SD-67800-005

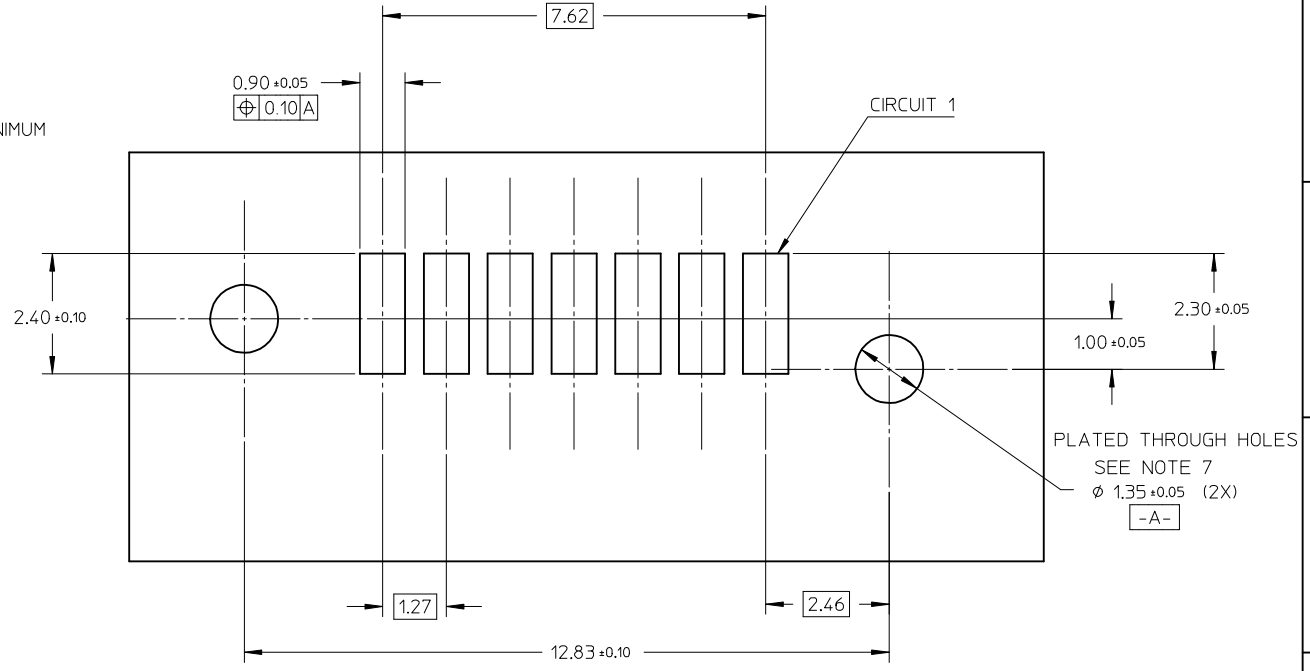
This document was generated on 05/26/2010

PLEASE CHECK WWW.MOLEX.COM FOR LATEST PART INFORMATION



REVISED EC NO: SH2010-0043 DRAWING: 2009/08/07 CHKD: XJSONG 2009/08/10 APPR: RZHANG 2009/09/13	QUALITY SYMBOLS ▽=0 C=0	GENERAL TOLERANCES (UNLESS SPECIFIED)		DIMENSION STYLE MM ONLY		SCALE 5:1	DESIGN UNITS METRIC	THIRD ANGLE PROJECTION		
			mm	INCH	DRAWN BY GRATE MA	DATE 2004/02/02	TITLE HIGH SPEED CONNECTOR 1.27MM PITCH VERTICAL SMT SOLDER TAIL			
		4 PLACES	± ---	± ---	CHECKED BY YA JUN	DATE 2004/02/02	MOLEX INCORPORATED			
		3 PLACES	± ---	± ---	APPROVED BY SAM	DATE 2004/02/02				
2 PLACES	± 0.15	± ---	MATERIAL NO.		DOCUMENT NO.		SHEET NO.			
1 PLACE	± 0.25	± ---	ANGULAR ± 1 °		SEE SHEET 2		SD-67800-005			
DRAFT WHERE APPLICABLE MUST REMAIN WITHIN DIMENSIONS		SIZE A3		THIS DRAWING CONTAINS INFORMATION THAT IS PROPRIETARY TO MOLEX INCORPORATED AND SHOULD NOT BE USED WITHOUT WRITTEN PERMISSION						

- NOTES:
- MATERIAL:
 - HOUSING: HIGH TEMPERATURE THERMAL PLASTIC, GLASS FILLED, UL94V-0, COLOR: REFER TO CHART.
 - TERMINAL: BRASS
 - POST: BRASS
 - TERMINAL PLATING:
 - CONTACT AREA: (a) GOLD FLASH
 - (b) GOLD, THICKNESS=0.76 MICRON MINIMUM
 - (c) GOLD, THICKNESS=0.38 MICRON MINIMUM
 - SOLDER TAIL: TIN, THICKNESS=1.27 MICRON MINIMUM
 - UNDER PLATE: NICKEL PLATED, THICKNESS=1.27 MICRON MINIMUM
 - POST PLATING: UNDER PLATE: NICKEL, THICKNESS=1.25 MICRON MINIMUM
TIN, THICKNESS=1.9 MICRON MINIMUM OVER ALL
 - PACKAGING: PK-67800-001
 - PRODUCT SPECIFICATION REFER TO PS-67491-001
 - RECOMMENDED SOLDERING PROCESS: IR PROCESS
- △ METAL POSTS TO BE SOLDERED TO PCB



RECOMMENDED P.C.B LAYOUT
CONNECTOR SIDE

678005025	SEE NOTE2(c)			PURE TIN
678005022	SEE NOTE2(b)	BLACK	3.45	
678005021	SEE NOTE2(a)			
678005015	SEE NOTE2(c)			
678005012	SEE NOTE2(b)	BLACK	3.05	PURE TIN
678005011	SEE NOTE2(a)			
678005005	SEE NOTE2(c)	BLACK		
678005004	SEE NOTE2(c)	YELLOW	2.65	PURE TIN
678005003	SEE NOTE2(c)	BLUE		
678005002	SEE NOTE2(b)	BLACK		
678005001	SEE NOTE2(a)			
MATERIAL NO	PLATING TYPE	HOUSING COLOR	DIM A	REMARK

REVISED EC NO: SH2010-0043 2009/08/07 TDRWIN@LLI 2009/08/10 CHKD:XJSONG 2009/09/13 APPR:RZHANG	QUALITY SYMBOLS ▽=0 ◻=0	GENERAL TOLERANCES (UNLESS SPECIFIED)		DIMENSION STYLE MM ONLY		SCALE 5:1	DESIGN UNITS METRIC	THIRD ANGLE PROJECTION		
			mm	INCH	DRAWN BY	DATE	TITLE			
		4 PLACES	± ---	± ---	GRATE MA	2004/02/02	HIGH SPEED CONNECTOR 1.27MM PITCH VERTICAL SMT SOLDER TAIL			
		3 PLACES	± ---	± ---	CHECKED BY	DATE				
2 PLACES	± 0.15	± ---	YA JUN	2004/02/02	MOLEX INCORPORATED					
1 PLACE	± 0.25	± ---	APPROVED BY	DATE						
ANGULAR ± 1 °			SAM	2004/02/02	MATERIAL NO.		DOCUMENT NO.		SHEET NO.	
DRAFT WHERE APPLICABLE MUST REMAIN WITHIN DIMENSIONS			SEE CHART		SD-67800-005		2 OF 2			
THIS DRAWING CONTAINS INFORMATION THAT IS PROPRIETARY TO MOLEX INCORPORATED AND SHOULD NOT BE USED WITHOUT WRITTEN PERMISSION										