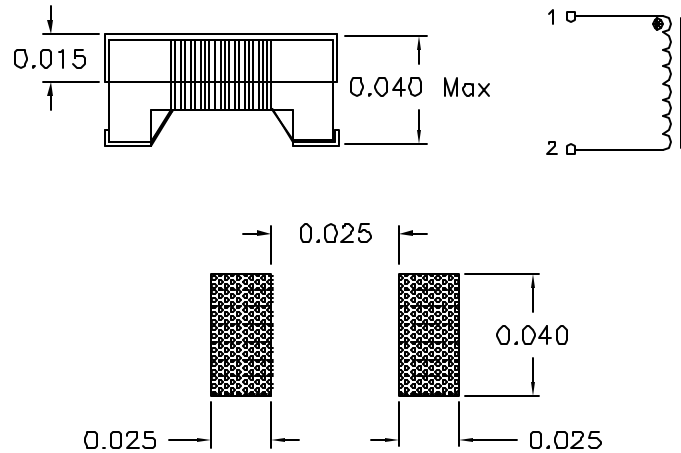
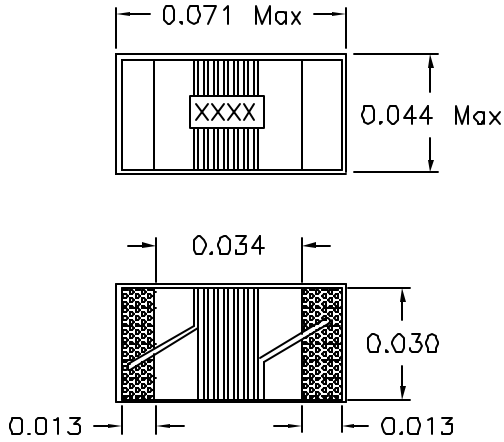


XFWIHC0603 SERIES INDUCTORS

- * TAPE AND REEL PACKAGING FOR HIGH VOLUME MANUFACTURING
2000 PCS PER 7" REEL
- * FOR DC/DC CONVERTERS, DC/AC INVERTERS, VRM APPLICATIONS
- * TEMP. RISE; 15°C TYPICAL ABOVE 60°C AMBIENT
- * OPERATING TEMP.: -40°C TO +125°C

Mechanical Dimensions:



Schematic:

Part Number	INDUCTANCE (nH)	Freq. (MHz)	Q Min	SRF Min. (MHz)	DCR Max (Ohms)	IDC Max (mA)	900MHz		1.7GHz	
							L Typ	Q Typ	L Typ	Q Typ
XFWIHC0603-1N6_	1.60	250	24	12500	0.030	2.4	1.67	49	1.65	63
XFWIHC0603-3N6_	3.60	250	24	5900	0.048	2.3	3.65	70	3.75	90
XFWIHC0603-3N9_	3.90	250	25	5900	0.054	2.2	3.74	70	3.90	90
XFWIHC0603-6N8_	6.80	250	35	5800	0.054	2.1	6.72	70	7.10	75
XFWIHC0603-7N5_	7.50	250	38	3700	0.059	2.1	7.33	70	7.90	68
XFWIHC0603-10N_	10.0	250	38	3700	0.071	2.0	9.70	73	10.5	57
XFWIHC0603-12N_	12.0	250	38	3000	0.075	2.0	12.3	68	14.5	41
XFWIHC0603-15N_	15.0	250	38	2800	0.080	1.9	15.5	65	17.6	40
XFWIHC0603-18N_	18.0	250	40	2800	0.099	1.9	19.5	62	25.0	40
XFWIHC0603-22N_	22.0	250	42	2400	0.099	1.8	24.0	61	31.5	26
XFWIHC0603-24N_	24.0	250	42	2400	0.105	1.8	25.8	55	35.0	21

Inductance Tolerance: (J: ±5%, K: ±10%, M: ±20%)

Notes:

1. Solderability: Leads shall meet MIL-STD-202, Method 208D for solderability.
2. Flammability: UL94V-0
3. ASTM oxygen index: > 28%
4. Insulation System: Class F 155°C. UL file E151556
5. Operating Temperature Range: All listed parameters are to be within tolerance from -40°C to +85°C
6. Storage Temperature Range: -55°C to +125°C
7. Aqueous wash compatible
8. SMD Lead Coplanarity: ±0.004" (0.102mm)
9. Moisture Sensitivity: Level 2
10. Electrical and mechanical specifications 100% tested
11. RoHS Compliant Component