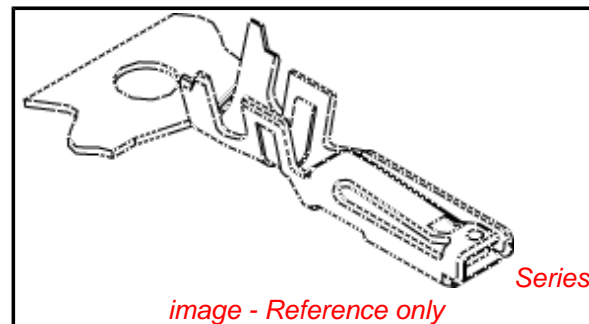


**PLEASE CHECK WWW.MOLEX.COM FOR LATEST PART INFORMATION**

**Part Number:** **0501488100**  
**Status:** **Active**  
**Overview:** [splash\\_proof](#)  
**Description:** Splash Proof Crimp Terminal 50148, Bag

**Documents:**

<a href="#">3D Model</a>	<a href="#">Product Specification PS-52213-002 (PDF)</a>
<a href="#">Drawing (PDF)</a>	<a href="#">RoHS Certificate of Compliance (PDF)</a>
<a href="#">Product Specification PS-52213-001 (PDF)</a>	



**General**

Product Family	Crimp Terminals
Series	<a href="#">50148</a>
Crimp Quality Equipment	Yes
MolexKits	Yes
Overview	<a href="#">splash_proof</a>
Product Name	Splash Proof

**Physical**

Gender	Female
Material - Metal	Phosphor Bronze
Material - Plating Mating	Tin
Material - Plating Termination	Tin
Packaging Type	Bag
Termination Interface: Style	Crimp or Compression
Wire Insulation Diameter	1.40-1.70mm (.055-.067")
Wire Size AWG	20, 22
Wire Size mm <sup>2</sup>	N/A

**Material Info**

**Reference - Drawing Numbers**

Product Specification	PS-52213-001, PS-52213-002, RPS-501202-001, RPS-52213-001, RPS-52266-001, RPS-55870-005
Sales Drawing	SD-50148-8*00

**EU RoHS**

**ELV and RoHS Compliant**  
**REACH SVHC Contains SVHC: No**  
**Halogen-Free Status**

**China RoHS**



**Need more information on product environmental compliance?**

Email [productcompliance@molex.com](mailto:productcompliance@molex.com)  
 For a multiple part number RoHS Certificate of Compliance, [click here](#)

Please visit the [Contact Us](#) section for any non-product compliance questions.

**Search Parts in this Series**

[50148Series](#)

**Application Tooling | FAQ**

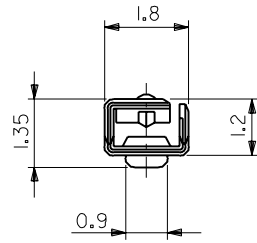
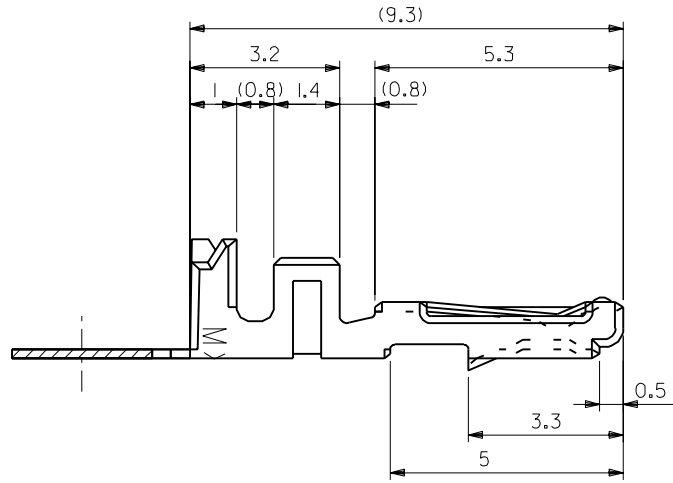
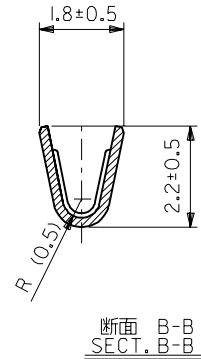
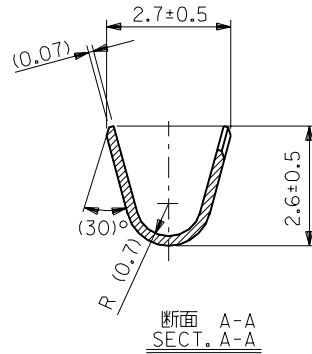
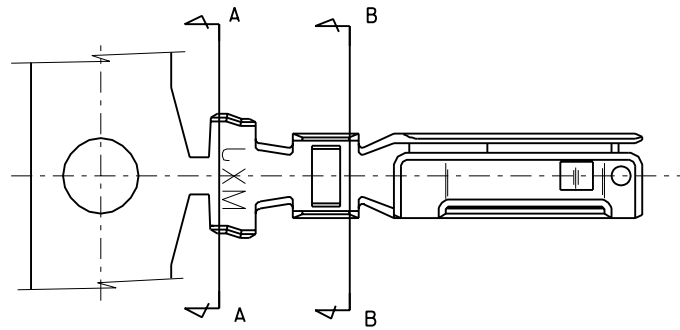
*Tooling specifications and manuals are found by selecting the products below. Crimp Height Specifications are then contained in the Application Tooling Specification document.*

**Global**

Description	Product #
Hand Crimp Tool	<a href="#">0638118600</a>
Extraction Tool	<a href="#">0638132700</a>

**Japan**

Description	Product #
Hand Crimper - AVSS .3	<a href="#">0571325000</a>



注記  
NOTES

- 適合ハウジング アッセンブリ; 52213-\*\*\*1  
APPLICABLE HS'G ASS'Y; 52213-\*\*\*1\*
- 嵌合相手; 50147-8\*00  
MATES WITH; 50147-8\*00

50148-8100	バラ状 LOOSE
50148-8000	連鎖状 CHAIN
製品番号 ENG.No.	端子形状 FORM

角度 ANGLE	±3°					材料 MATERIAL J11青銅 錫メッキ (±0.2) PHOSPHOR BRONZE TIN PLATING (±0.2)
30以上 OVER	+0.3	A	変更 REVISED (J20708)	92/8/6		仕上げ FINISH
10以上 30未満 OVER UNDER	+0.25	O	新規作成 PROPOSED (J10601)	91/8/20		適用電線範囲 WIRE RANGE AVSS-0.3 AVSS-0.5 CAVS-0.3 CAVS-0.5
10未満 UNDER	+0.2	記号 LTR	変更内容 REVISION RECORD	日付 DATE		被覆外径 INS. RANGE φ 1.4-1.7
一般公差 GENERAL TOLERANCES			DR. / CHK.			DRAWN BY '91/7/17 M.SANO CHK'D BY '92/8/6 M.SAKANO APP'D BY '92/8/6 M.ENOMOTO 尺度 10-1

MOLEX-JAPAN CO.,LTD. 日本モレックス株式会社	
EDP. NO.	
ENG. NO. SD-50148-8*00	REV A
TITLE 名称 2.5 MINI SPLASH PROOF CONN. CRIMP RECEPTACLE	