

PLEASE CHECK WWW.MOLEX.COM FOR LATEST PART INFORMATION

Part Number: [0191600047](#)
Status: **Active**
Description: Wing Lock Splice for 6-14 AWG Wire

Documents:

[Drawing \(PDF\)](#) [RoHS Certificate of Compliance \(PDF\)](#)

Agency Certification

CSA LR18689
 UL E32244

General

Product Family Splices
 Series [19160](#)
 Crimp Quality Equipment Yes
 Mil-Spec N/A
 Product Name Wing Lock

Physical

Barrel Type Closed
 Insulation Nylon (PA)
 Packaging Type Bag
 Temperature Range - Operating 105°C
 Wire Insulation Diameter 18.8mm (.74") max
 Wire Size AWG 10, 12, 14, 6, 8
 Wire Size mm² 2.00 - 13.5

Electrical

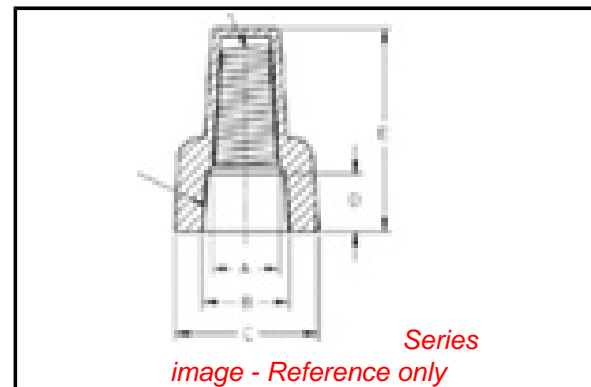
Voltage - Maximum 600V

Material Info

Old Part Number WL-B

Reference - Drawing Numbers

Sales Drawing SD-19160-003



EU RoHS

**ELV and RoHS
 Compliant**
REACH SVHC
 Not Reviewed
**Halogen-Free
 Status**

China RoHS



Not Reviewed

**Need more information on product
 environmental compliance?**

Email productcompliance@molex.com
 For a multiple part number RoHS Certificate of
 Compliance, [click here](#)

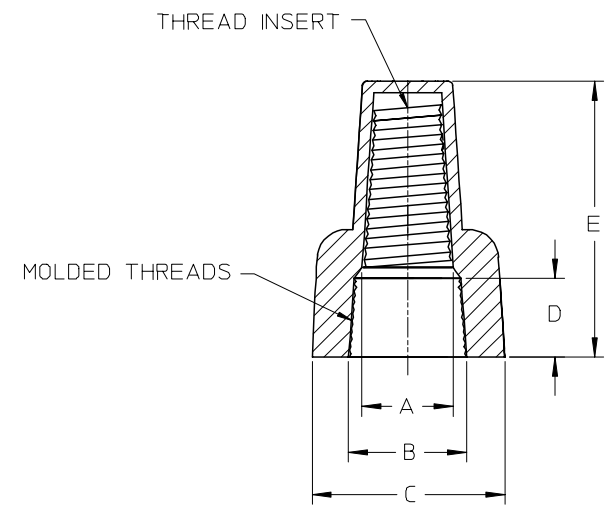
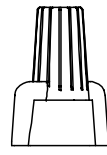
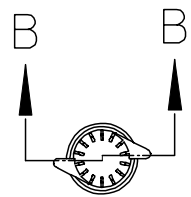
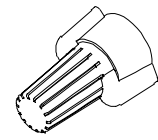
Please visit the [Contact Us](#) section for any
 non-product compliance questions.

Search Parts in this Series

[19160Series](#)

19160

MATERIAL NUMBER	ENGINEERING NUMBER	COLOR	WIRE RANGE	WIRE RANGE MIN.	WIRE RANGE MAX.	VOLTAGE MAX.	DIM A	DIM B	DIM C	DIM D	DIM E
191600044	WL-Y	YELLOW	18-10	2#18	3#12	600/300	.25/6.4	.39/9.9	.72/18.3	.35/8.9	1.02/25.9
191600045	WL-R	RED	18-8	5#12	3#16	600/300	.35/8.9	.53/13.5	.91/23.1	.38/9.7	1.25/31.8
191600046	WL-G	GREY	18-8	3#14 & 1#18	3#10	600/300	.39/9.9	.59/14.9	1.00/25.4	.39/9.9	1.31/33.3
191600047	WL-B	BLUE	14-6	2#10 & 1#12	1#8 & 3#10	600	.47/11.9	.74/18.8	1.26/32.0	.52/13.2	1.58/40.1
191600194	WL-T	TAN	22-8	3#22	3#10	600	.28/7.11	.46/11.7	.72/18.3	.36/9.1	1.14/28.9



SECTION B-B
SCALE 2:1

REF NOTES:

- 1.) WORKING TEMP. -105°C
- 2.) HOUSING MATERIAL: UL 94V-2 FLAME RETARDANT THERMOPLASTIC
- 3.) MOLEX UL FILE NO.: E32244
- 4.) MOLEX CSA FILE NO.: 073539



EC NO: DRWN: ASAYDEH 2005/10/20 CHKD: 2005/11/15 APPR: RDEROSS 2005/11/21 REV: B	QUALITY SYMBOLS ▽ - 0 ▽ - 0	GENERAL TOLERANCES (UNLESS SPECIFIED) DIMENSION STYLE: IN/MM	SCALE: 1:1 DESIGN UNITS: INCH THIRD ANGLE PROJECTION REVISE ON CAD ONLY	TITLE: WIRE CONNECTORS WINGED TYPE	
		4 PLACES ± --- ± --- 3 PLACES ± --- ± --- 2 PLACES ± --- ± .02 1 PLACE ± 0.5 ± --- ANGULAR ± 1 °	DRAWN BY: B.RUPERT DATE: 11/07/03 CHECKED BY: J.PAWLIC DATE: 11/07/03	MATERIAL NO.: SEE CHART DOCUMENT NO.: SD-19160-003 SHEET NO.: 1 OF 1	
		DRAFT WHERE APPLICABLE MUST REMAIN WITHIN DIMENSIONS	THIS DRAWING CONTAINS INFORMATION THAT IS PROPRIETARY TO MOLEX INCORPORATED AND SHOULD NOT BE USED WITHOUT WRITTEN PERMISSION		