

**PLEASE CHECK WWW.MOLEX.COM FOR LATEST PART INFORMATION**

**Part Number:** [5031505009](#)  
**Status:** **Active**  
**Description:** 0.50mm (.020") Pitch FFC-to-Board Connector, Plug Jacket, 50 Circuits

**Documents:**

<a href="#">Drawing (PDF)</a>	<a href="#">Product Specification PS-501864-003 (PDF)</a>
<a href="#">Product Specification PS-501786-003 (PDF)</a>	<a href="#">RoHS Certificate of Compliance (PDF)</a>

**General**

Product Family	Accessories
Series	<a href="#">503150</a>
Component Type	Jacket
Product Name	N/A

**Physical**

Circuits (Loaded)	N/A
Circuits (maximum)	50
Color - Resin	Black
Gender	Plug
Material - Resin	Polyester
Packaging Type	Bag
Polarized to Mating Part	Yes
Temperature Range - Operating	-40°C to +85°C

**Electrical**

Current - Maximum per Contact	0.5A
-------------------------------	------

**Material Info**

**Reference - Drawing Numbers**

Product Specification	PS-501786-003, PS-501864-003, RPS-501786-005, RPS-501864-005
Sales Drawing	SD-503150-001

**EU RoHS**

**ELV and RoHS  
Compliant**

**REACH SVHC**

**Contains SVHC: No**

**Halogen-Free  
Status**

**Not Reviewed**

**China RoHS**



**Need more information on product  
environmental compliance?**

Email [productcompliance@molex.com](mailto:productcompliance@molex.com)  
 For a multiple part number RoHS Certificate of  
 Compliance, [click here](#)

Please visit the [Contact Us](#) section for any  
 non-product compliance questions.

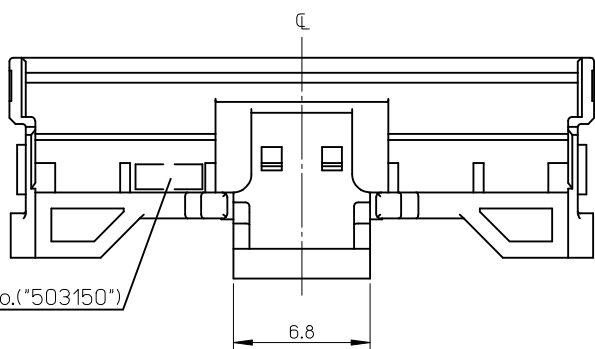
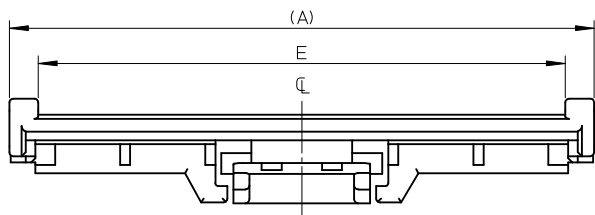
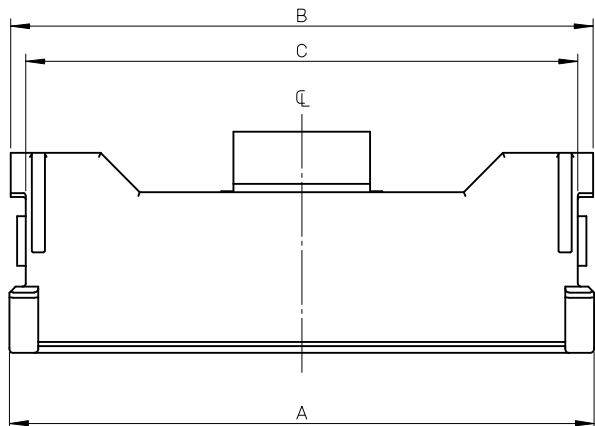
**Search Parts in this Series**

[503150Series](#)

**Use With**

[501786 FFC-to-Board Connector](#), [501864  
FFC-to-Board Connector](#), [503151 Plug  
Jacket Cover](#)

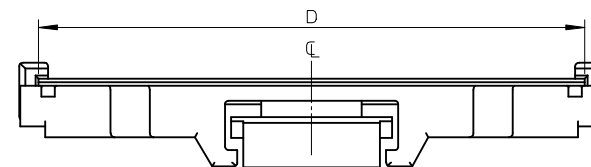
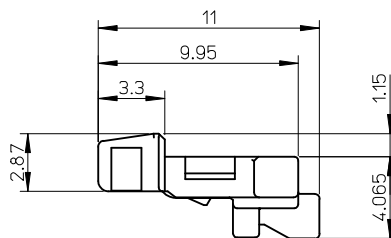
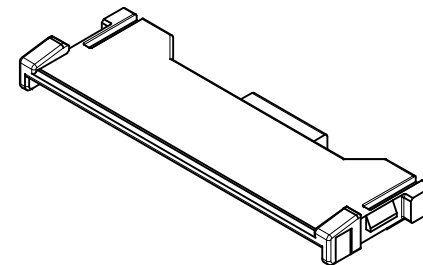
ELV AND RoHS COMPLIANT.



EGN. No.("503150")

注記 NOTE

- 適合プラグジャケットカバー: 503151-\*\*\*\*  
APPLICABLE PLUG JACKET COVER : 503151-\*\*\*\*
- 材質  
MATERIAL  
PBT, UL94V-0, 色: 黒色  
PBT, UL94V-0, COLOR: BLACK



26.2	27.16	27.46	28.96	29.08	503150-5009	50
E	D	C	B	A	PLASTIC BAG	CKTS.
					ORDER NO. オーダー番号	

REVISED EC NO: J2009-1709 DRWN: TNAGAWA01 2009/01/14 CHKD: HMATSUMOTO 2009/01/14 APPR: NUKITA 2009/01/14	DESCRIPTION	GENERAL TOLERANCES (UNLESS SPECIFIED)		DIMENSION STYLE	SCALE	DESIGN UNITS	THIRD ANGLE PROJECTION
		10 UNDER	± 0.2	MM ONLY	≠	METRIC	
		10 OVER 30 UNDER	± 0.25				
		30 OVER	± 0.3				
A	REV	ANGULAR ± 1 ° DRAFT WHERE APPLICABLE MUST REMAIN WITHIN DIMENSIONS		DRAWN BY M. NABEI	DATE '08/07/07	TITLE 0.5 FFC TO BOARD CONN. PLUG JACKET	
				CHECKED BY K. MORIKAWA	DATE '08/07/07	MOLEX INCORPORATED	
				APPROVED BY H. HIRATA	DATE '08/07/07	SD-503150-001	
				MATERIAL NO.	DOCUMENT NO.	SHEET NO. 1 OF 1	
				SIZE A3	THIS DRAWING CONTAINS INFORMATION THAT IS PROPRIETARY TO MOLEX INCORPORATED AND SHOULD NOT BE USED WITHOUT WRITTEN PERMISSION		