

PLEASE CHECK WWW.MOLEX.COM FOR LATEST PART INFORMATION

Part Number: [0940303891](#)
Status: **Active**
Description: Quick Disconnect, Female, for 0.50-1.00mm² (18-20 AWG) wire, Accepts 6.35mm (.250") x 0.81mm (.032") Tab

Documents:

[Drawing \(PDF\)](#) [Product Specification PS-94030-002 \(PDF\)](#)
[Product Specification PS-94030-001 \(PDF\)](#) [RoHS Certificate of Compliance \(PDF\)](#)

General

Product Family	Quick Disconnects
Series	94030
Crimp Quality Equipment	Yes
Product Name	N/A
Type	Quick Disconnect

Physical

Barrel Type	Open
Gender	Female
Glow-Wire Compliant	No
Insulation	None
Lock to Mating Part	None
Material - Metal	Brass
Material - Plating Mating	Tin
Orientation	Straight
Packaging Type	Reel
Plating min: Mating (µin)	80
Plating min: Mating (µm)	2
Polarized to Mating Part	Yes
Tab Thickness	0.81mm (.032")
Tab Width	6.35mm (.250")
Temperature Range - Operating	80°C
Wire Insulation Diameter	2.00-3.30mm (.079"-.130")
Wire Size AWG	18, 20
Wire Size mm ²	0.50-1.00

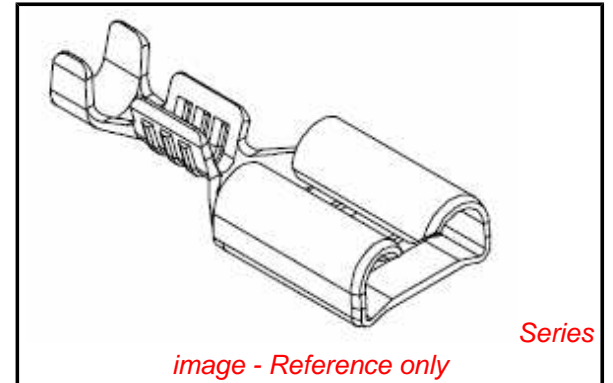
Electrical

Voltage - Maximum	250V
-------------------	------

Material Info

Reference - Drawing Numbers

Product Specification	PS-94030-001, PS-94030-002
Sales Drawing	94030-389X-SD



EU RoHS

ELV and RoHS Compliant
REACH SVHC
 Not Reviewed
Halogen-Free Status
 Not Reviewed

China RoHS



Need more information on product environmental compliance?

Email productcompliance@molex.com
 For a multiple part number RoHS Certificate of Compliance, [click here](#)

Please visit the [Contact Us](#) section for any non-product compliance questions.

Search Parts in this Series

[94030Series](#)

Use With

[94090-4080](#) , [94090-4100](#) , [94090-4120](#) ,
[94090-4140](#) , [94090-4150](#) , [94090-4170](#) ,
[94090-4180](#) , [94090-4200](#) , [94503-0200](#) ,
[94503-0210](#) , [94503-0800](#)

Application Tooling | FAQ

Tooling specifications and manuals are found by selecting the products below. Crimp Height Specifications are then contained in the Application Tooling Specification document.

Global

Description	Product #
Hand Crimp Tool for Quick Disconnect Female Terminals	0638199800
Extraction Tool for 6.35mm (.250") Heavy Tab	0638133100

This document was generated on 03/29/2010

PLEASE CHECK WWW.MOLEX.COM FOR LATEST PART INFORMATION

8 7 6 5 4 3 2 1

F

E

D

C

B

A

F

E

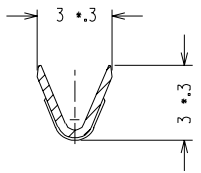
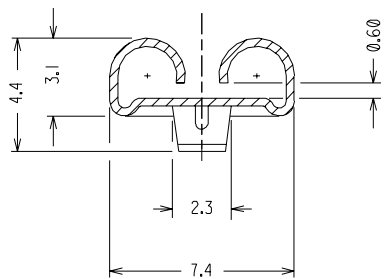
D

C

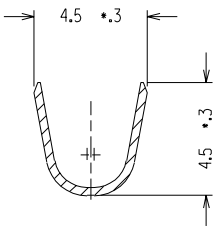
B

A

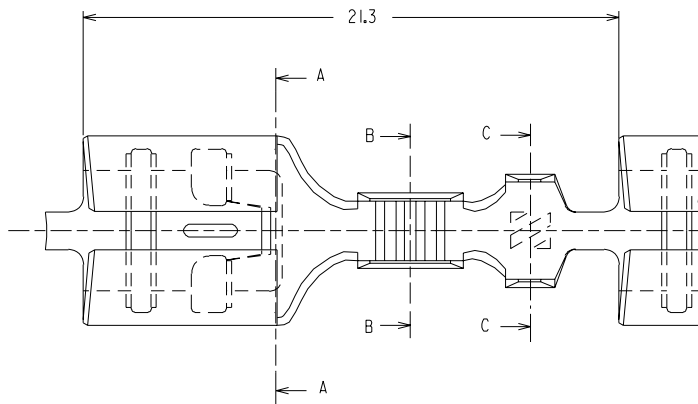
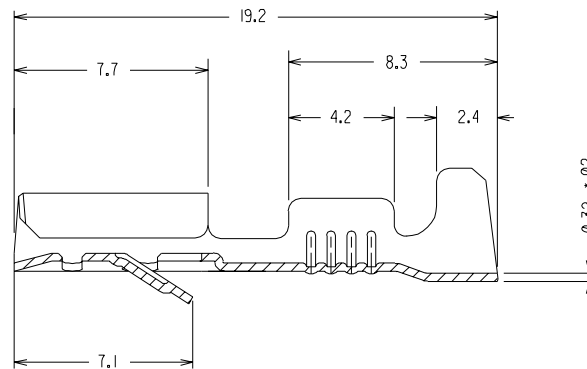
SECTION A - A



SECTION B - B



SECTION C - C



CODICE P/N	MATERIALE MATERIAL	FINITURA PLATING
94030-3890	OTTONE BRASS	GREGGIO/ PLAIN
94030-3891		STAGNATO/ TIN
94030-3892	BRONZO FOSF. PHOSPH. BRONZE	GREGGIO/ PLAIN
94030-3893		STAGNATO/ TIN

REVISE ONLY ON CAD SYSTEM

SH. REV.

A	EMESSO ECN Z9-0034 G.F.	REVISIONS	DIMENSIONS SHOWN (METRIC) INCH		DRWG BY
			UNLESS OTHERWISE SPECIFIED TOLERANCES ANGULAR ± 2°		Gottardo
			INCH (METRIC)		CHK'D BY
			3 PLACE ±		Previato
2 PLACE ± ± 0.1		APP'D BY			
1 PLACE ± ± 0.2		SCALE			
DESIGN DIMENSION (PRIMARY) <input checked="" type="checkbox"/> (MM) <input type="checkbox"/> (IN)		5 : 1			
EQUIVALENT DIMENSION (SECONDARY) <input type="checkbox"/> (MM) <input type="checkbox"/> (IN)					

CAD/CAM FILENAME	THIS DRAWING CONTAINS INFORMATION THAT IS PROPRIETARY TO MOLEX INC AND SHOULD NOT BE USED WITHOUT WRITTEN PERMISSION	
CAD FILE	Z303890S	
TITLE		
QIK KONNECT RECEPTACLE FOR 6.3 x 0.8 TABS		
SEZ. RAME/ WIRE RANGE: 0.5-1.0 mm ² — ISOLANTE/INS. RANGE: Ø 2.0-3.3 mm		
MOLEX MOLEX INCORPORATED		SHEET NO. DATE
		1 / 1 26-10-89
PART NO.	VEDI TABELLA SEE CHART	DWG NO. 94030-389X SD
		SIZE B

8 7