

**PLEASE CHECK WWW.MOLEX.COM FOR LATEST PART INFORMATION**

**Part Number:** **0738101218**  
**Status:** **Active**  
**Overview:** hdm  
**Description:** 2.00mm (.079") Pitch HDM® Board-to-Board Midplane Header, Vertical SMC, Press-Fit, Double End Option, Slide On Housing, 144 Circuits

**Documents:**

[Drawing \(PDF\)](#) [RoHS Certificate of Compliance \(PDF\)](#)

**Agency Certification**

CSA LR19980  
 UL E29179

**General**

Product Family Backplane Connectors  
 Series 73810  
 Application Midplane  
 Comments Polar/Guide Version  
 Component Type PCB Header  
 Overview hdm  
 Product Name HDM®  
 Style N/A

**Physical**

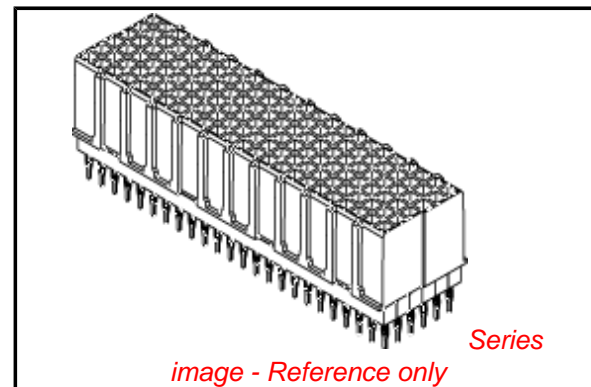
Circuits (Loaded) N/A  
 Circuits (maximum) 144  
 Color - Resin Black  
 Durability (mating cycles max) 250  
 First Mate / Last Break No  
 Flammability 94V-0  
 Guide to Mating Part Yes  
 Keying to Mating Part None  
 Material - Metal Stainless Steel  
 Material - Resin High Temperature Thermoplastic  
 Number of Columns 24  
 Number of Pairs Open Pin Field  
 Number of Rows 6  
 Orientation Vertical  
 PC Tail Length (in) 0.000 In  
 PC Tail Length (mm) 0.00 mm  
 PCB Locator No  
 PCB Retention None  
 Packaging Type Tube  
 Pitch - Mating Interface (in) 0.079 In  
 Pitch - Mating Interface (mm) 2.00 mm  
 Polarized to PCB N/A  
 Surface Mount Compatible (SMC) Yes  
 Temperature Range - Operating -55°C to +105°C

**Electrical**

Current - Maximum per Contact 1A  
 Data Rate 1.0 Gbps  
 Real Signals (per 25mm) 0  
 Voltage - Maximum 250V AC

**Solder Process Data**

Lead-free Process Capability Reflow Capable (SMT only)



**EU RoHS**

**ELV and RoHS  
 Compliant**  
**REACH SVHC  
 Contains SVHC: No**  
**Halogen-Free  
 Status**

**China RoHS**



**Need more information on product  
 environmental compliance?**

Email [productcompliance@molex.com](mailto:productcompliance@molex.com)  
 For a multiple part number RoHS Certificate of  
 Compliance, [click here](#)

Please visit the [Contact Us](#) section for any  
 non-product compliance questions.

**Search Parts in this Series**

[73810Series](#)

**Mates With**

[73632](#) HDM PLUS® Board-to-Board  
 Daughtercard Receptacle. [73780](#) HDM®  
 Board-to-Board Daughtercard Receptacle

Process Temperature max. C 260

**Material Info**

**Reference - Drawing Numbers**

Sales Drawing SD-73810-001

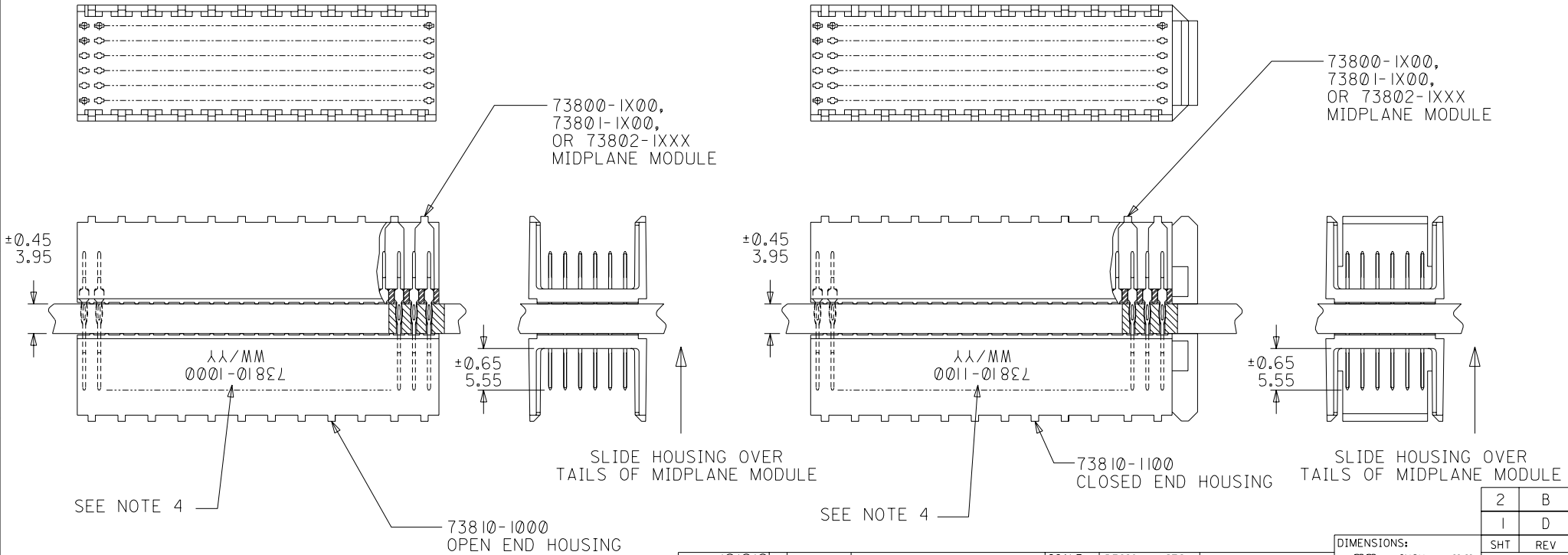
HDM and High Density Metric are trademarks of Amphenol Corporation

This document was generated on 05/14/2010

**PLEASE CHECK [WWW.MOLEX.COM](http://WWW.MOLEX.COM) FOR LATEST PART INFORMATION**

**NOTES:**

1. HOUSING MATERIALS: LIQUID CRYSTAL POLYMER (LCP), GLASS-FILLED, UL94V-0, COLOR: BLACK.
2. THIS PART CONFORMS TO MOLEX PRODUCT SPECIFICATION PS-73670-9999.
3. SEE DRAWINGS SD-73800-001, SD-73801-001, AND SD-73802-001 FOR DIMENSIONAL INFORMATION.
4. PARTS MARKED WITH PART NUMBER AND DATE CODE, ON EITHER SIDE, APPROXIMATELY WHERE SHOWN.
5. PARTS PACKAGED PER PK-70873-0818.



|   |   |   |  |   |  |                             |  |           |          |          |
|---|---|---|--|---|--|-----------------------------|--|-----------|----------|----------|
| REVISED<br>EC NO. LCP2003-2260<br>DRWN: THOMAS 03/04/25<br>CHK: BINGHAM 03/04/25<br>APPR: REED 03/04/25 | DESCRIPTION<br>MAJOR<br>CRITICAL<br>C=0 | GENERAL TOLERANCES:<br>(UNLESS SPECIFIED)               |  | SCALE<br>2 : 1  | DESIGN UNITS<br><input checked="" type="checkbox"/> mm <input type="checkbox"/> INCH | THIRD ANGLE<br>PROJECTION   | DIMENSIONS:<br><input type="checkbox"/> mm <input type="checkbox"/> INCH <input checked="" type="checkbox"/> mm ONLY |           | SHT<br>2 | REV<br>B |
|   |   | 4 PLACES ±0.     ±.                                     | DRAWN BY & DATE<br>JBINGHAM 97/06/19   | TITLE: SALES ASSEMBLY, HDM<br>DOUBLE-END MIDPLANE, 144 POS.<br>SLIDE-ON HOUSING   |  |                             |  |           |          |          |
|   |   | 3 PLACES ±0.     ±.                                     | CHECKED BY & DATE<br>SREED 97/06/19    | MOLEX INCORPORATED  |  |                             |  |           |          |          |
|   |   | 2 PLACES ±0.05     ±.                                   | APPROVED BY & DATE<br>CBIXLER 97/06/19 | CAD FILENAME<br>S73810X1.DGN  | MATERIAL NO.<br>SEE CHART  | DRAWING NO.<br>SD-73810-001 | SHEET NO.<br>1 OF 2  |           |          |          |
| 1 PLACE ±0.10     ±.  | ANGLAR: ± 1/2°                          | DRAFT WHERE APPLICABLE MUST<br>REMAIN WITHIN DIMENSIONS |  | THIS DRAWING CONTAINS INFORMATION THAT IS PROPRIETARY TO MOLEX<br>INCORPORATED AND SHOULD NOT BE USED WITHOUT WRITTEN PERMISSION. |  |                             |  | SIZE<br>B |          |          |

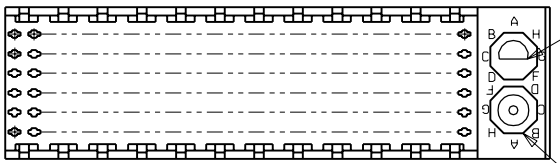
MATERIAL NUMBER ASSIGNMENT

73810- \* \* \* \*

1 = 144-CIRCUIT

0 = OPEN END VERSION  
 1 = CLOSED END VERSION  
 2 = POLAR/GUIDE VERSION

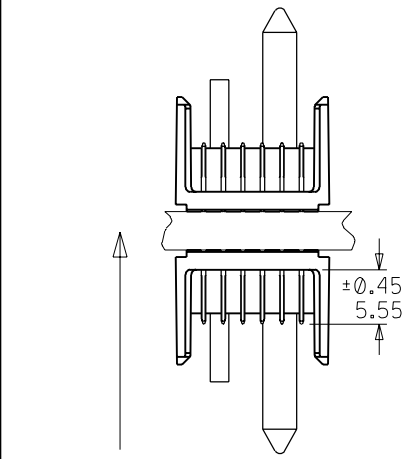
73800-1X00,  
 73801-1X00,  
 OR 73802-1XXX  
 MIDPLANE MODULE



LOCATION B

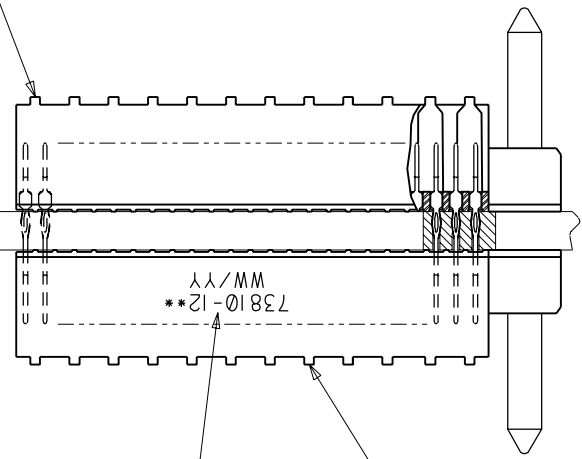
LOCATION A

| NUMBER | GUIDE POST LOCATION | POLAR KEY POSITION |
|--------|---------------------|--------------------|
| 00     | N/A                 | N/A                |
| 01     | B                   | A                  |
| 02     | A                   | A                  |
| 03     | B                   | B                  |
| 04     | A                   | B                  |
| 05     | B                   | C                  |
| 06     | A                   | C                  |
| 07     | B                   | D                  |
| 08     | A                   | D                  |
| 09     | B                   | E                  |
| 10     | A                   | E                  |
| 11     | B                   | F                  |
| 12     | A                   | F                  |
| 13     | B                   | G                  |
| 14     | A                   | G                  |
| 15     | B                   | H                  |
| 16     | A                   | H                  |
| 17     | B                   | N/A                |
| 18     | A                   | N/A                |



SLIDE HOUSING OVER  
 TAILS OF MIDPLANE MODULE

±0.65  
 3.95



SEE NOTE 5

73810-12XX  
 POLAR/GUIDE HOUSING

|  |  |   |   |  |   |                             |
|--|--|---|---|--|---|-----------------------------|
| SEE SHEET 1<br>EC NO. UDT2000-0443<br>DRWN: JBINGHAM 99/11/04<br>CHK: SREED 99/11/04<br>APPR: CBIXLER 99/11/04 | QUALITY SYMBOLS<br>MAJOR  = 0<br>CRITICAL  = 0 | GENERAL TOLERANCES:<br>(UNLESS SPECIFIED)   | SCALE 2 : 1<br>DESIGN UNITS <input checked="" type="checkbox"/> mm <input type="checkbox"/> INCH                                  | DIMENSIONS:<br><input type="checkbox"/> mm <input type="checkbox"/> INCH <input checked="" type="checkbox"/> mm ONLY | SHT REV<br>REVISION ON CAD ONLY   |                             |
|  | DESCRIPTION<br>MAJOR  = 0<br>CRITICAL  = 0     | 4 PLACES ±0.     ±.<br>3 PLACES ±0.     ±.<br>2 PLACES ±0.05     ±.<br>1 PLACE ±0.10     ±. | DRAWN BY & DATE<br>JBINGHAM 97/06/19  | CHECKED BY & DATE<br>SREED 97/06/19  | TITLE: SALES ASSEMBLY, HDM<br>DOUBLE-END MIDPLANE, 144 POS.<br>SLIDE-ON HOUSING |                             |
|  | REV B  | ANGULAR: ± 1/2°   | APPROVED BY & DATE<br>CBIXLER 97/06/19  | CAD FILENAME<br>S73810X2.DGN   | MATERIAL NO.<br>SEE CHART   | DRAWING NO.<br>SD-73810-001 |
|  |  | DRAFT WHERE APPLICABLE MUST<br>REMAIN WITHIN DIMENSIONS                                     | THIS DRAWING CONTAINS INFORMATION THAT IS PROPRIETARY TO MOLEX<br>INCORPORATED AND SHOULD NOT BE USED WITHOUT WRITTEN PERMISSION. |  | SHEET NO.<br>2  | SIZE<br>B                   |