

PLEASE CHECK WWW.MOLEX.COM FOR LATEST PART INFORMATION

Part Number: [0194031131](#)
Status: **Planned for Obsolescence**
Overview: selfcontained_power_connector_scpc
Description: Terminal for Self Contained Header for 12- 14 AWG Wire

Documents:

[Drawing \(PDF\)](#) [RoHS Certificate of Compliance \(PDF\)](#)

Agency Certification

UL E152602

General

Product Family Crimp Terminals
 Series [19403](#)
 Comments UL E152602
 Crimp Quality Equipment Yes
 Overview [selfcontained_power_connector_scpc](#)
 Product Literature Order No 987650-0531
 Product Name SCPC

Physical

Durability (mating cycles max) 25
 Gender Male
 Material - Metal High Copper
 Material - Plating Mating Tin
 Material - Plating Termination Tin
 Packaging Type Bag
 Plating min: Mating (µin) 40
 Plating min: Mating (µm) 1.00
 Plating min: Termination (µin) 40
 Plating min: Termination (µm) 1.00
 Wire Insulation Diameter 3.48mm-4.11mm (.137-.162")
 Wire Size AWG 12, 14
 Wire Size mm² 2.08 TO 3.31

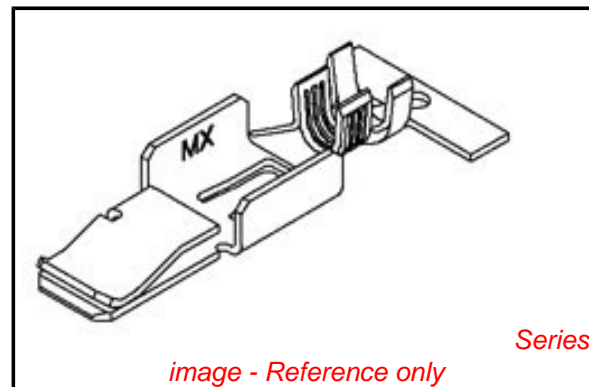
Electrical

Current - Maximum per Contact 20A

Material Info

Reference - Drawing Numbers

Sales Drawing SD-19403-117



EU RoHS

**ELV and RoHS
Compliant**
**REACH SVHC
Contains SVHC: No**
**Halogen-Free
Status
Not Reviewed**

China RoHS



**Need more information on product
environmental compliance?**

Email productcompliance@molex.com
 For a multiple part number RoHS Certificate of
 Compliance, [click here](#)

Please visit the [Contact Us](#) section for any
 non-product compliance questions.

Search Parts in this Series

[19403Series](#)

Mates With

[19403 Header](#)

Use With

[19403-1120 Housing](#)

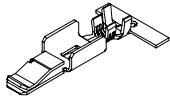
Application Tooling | FAQ

*Tooling specifications and manuals are
 found by selecting the products below.
 Crimp Height Specifications are then
 contained in the Application Tooling
 Specification document.*

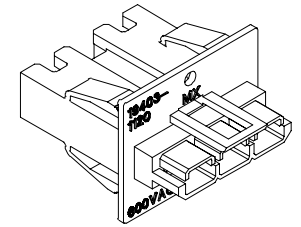
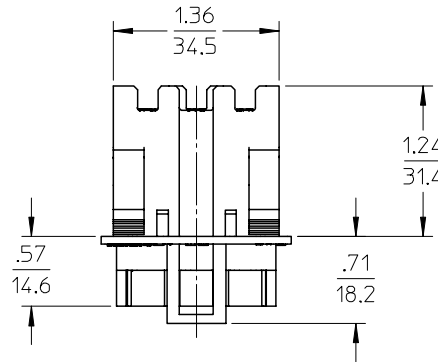
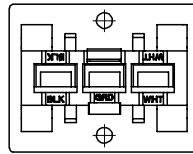
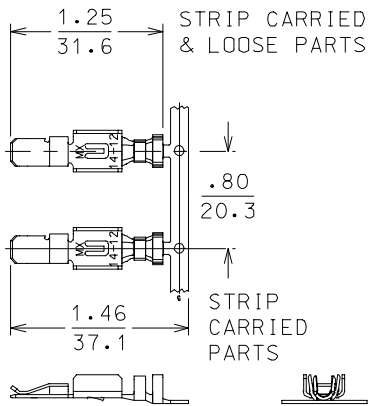
Global

Description	Product #
Hand Crimp Tool	0640033700

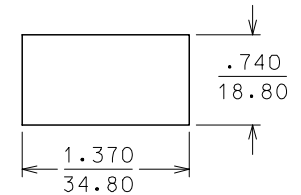
MATERIAL NUMBER	DESCRIPTION
194031120	SC HEADER
194031130	TERMINAL, STRIP CARRIED
194031131	TERMINAL, LOOSE PIECE



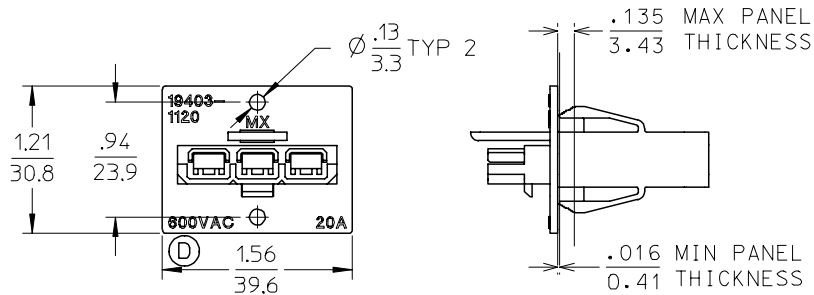
ISOMETRIC VIEW
TERMINAL, STRIP CARRIED



ISOMETRIC VIEW
SC HEADER



RECOMMENDED PANEL CUTOUT



SALES DRAWING

- NOTES:
- 1) TERMINAL MATERIAL: HIGH COPPER ALLOY
PLATING: TIN
 - 2) HOUSING MATERIAL: POLYESTER UL94-5VA

600VAC WAS 300VAC EC NO: ETC2005-0125 DRAWN: DMYRICK 2005/01/25 CHKD: RDEROSS 2005/01/26 APPR: RDEROSS 2005/01/26	DESCRIPTION	QUALITY SYMBOLS	GENERAL TOLERANCES (UNLESS SPECIFIED)		DIMENSION STYLE	SCALE	DESIGN UNITS	THIRD ANGLE PROJECTION
		▽=0	mm	INCH	IN/MM	1:1	INCH	
		▽=0	4 PLACES ± --- ± ---	3 PLACES ± --- ± .005	DRAWN BY DATE	TITLE		
		2 PLACES ± 0.13 ± .01	1 PLACE ± 0.3 ± ---	DYOUNG 00/01/18	CUSTOMER DRAWING			
		ANGULAR ± 1/2°	DRAFT WHERE APPLICABLE MUST REMAIN WITHIN DIMENSIONS		CHECKED BY DATE	SC PANEL MOUNT CONNECT		
					APPROVED BY DATE	14-12 AWG		
					RDEROSS 00/01/18	MOLEX INCORPORATED		
					MATERIAL NO.	DOCUMENT NO.	SHEET NO.	
					SEE CHART	SD-19403-117	1 OF 1	
					THIS DRAWING CONTAINS INFORMATION THAT IS PROPRIETARY TO MOLEX INCORPORATED AND SHOULD NOT BE USED WITHOUT WRITTEN PERMISSION			