

PLEASE CHECK WWW.MOLEX.COM FOR LATEST PART INFORMATION

Part Number: [0192040014](#)
Status: **Active**
Description: InsulKrimp™ 3 Way Splice for 14-16 AWG Wire

Documents:

[Drawing \(PDF\)](#) [RoHS Certificate of Compliance \(PDF\)](#)
[Product Specification PS-19902-009 \(PDF\)](#)

General

Product Family	Splices
Series	19204
Comments	3 Way Connector
Crimp Quality Equipment	Yes
Mil-Spec	N/A
Product Name	3 Way, InsulKrimp™

Physical

Barrel Type	Closed
Color - Resin	Natural
Insulation	PVC
Material - Metal	Copper
Material - Plating Mating	Tin
Material - Plating Termination	Tin
Material - Resin	PVC
Packaging Type	Bag
Plating min: Mating (µin)	100
Plating min: Mating (µm)	2.5
Plating min: Termination (µin)	100
Plating min: Termination (µm)	2.5
Temperature Range - Operating	-40°C to +105°C
Wire Insulation Diameter	4.45mm (.175") max
Wire Size AWG	14, 16
Wire Size mm²	1.30 - 2.00

Electrical

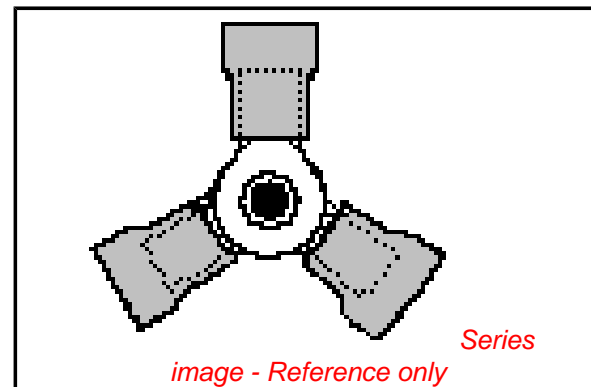
Voltage - Maximum	600V
-------------------	------

Material Info

Old Part Number	B-2YCX
-----------------	--------

Reference - Drawing Numbers

Product Specification	PS-19902-009
Sales Drawing	SD-19204-001



EU RoHS

ELV and RoHS Compliant
REACH SVHC
 Not Reviewed
Halogen-Free Status
 Not Reviewed

China RoHS



Need more information on product environmental compliance?

Email productcompliance@molex.com
 For a multiple part number RoHS Certificate of Compliance, [click here](#)

Please visit the [Contact Us](#) section for any non-product compliance questions.

Search Parts in this Series

19204Series

Application Tooling | FAQ

Tooling specifications and manuals are found by selecting the products below. Crimp Height Specifications are then contained in the Application Tooling Specification document.

Global

Description	Product #
Hand Crimp Tool	0640010100
Hand Crimp Tool	0640010300
Hand Crimp Tool	0640011400
Crimp Head for the AT-200™ Pneumatic Hand Tool	0640050100
Crimp Head for the AT-200™ Pneumatic Hand Tool	0640050300
Crimp Head for the AT-200™ Pneumatic Hand Tool	0640051400

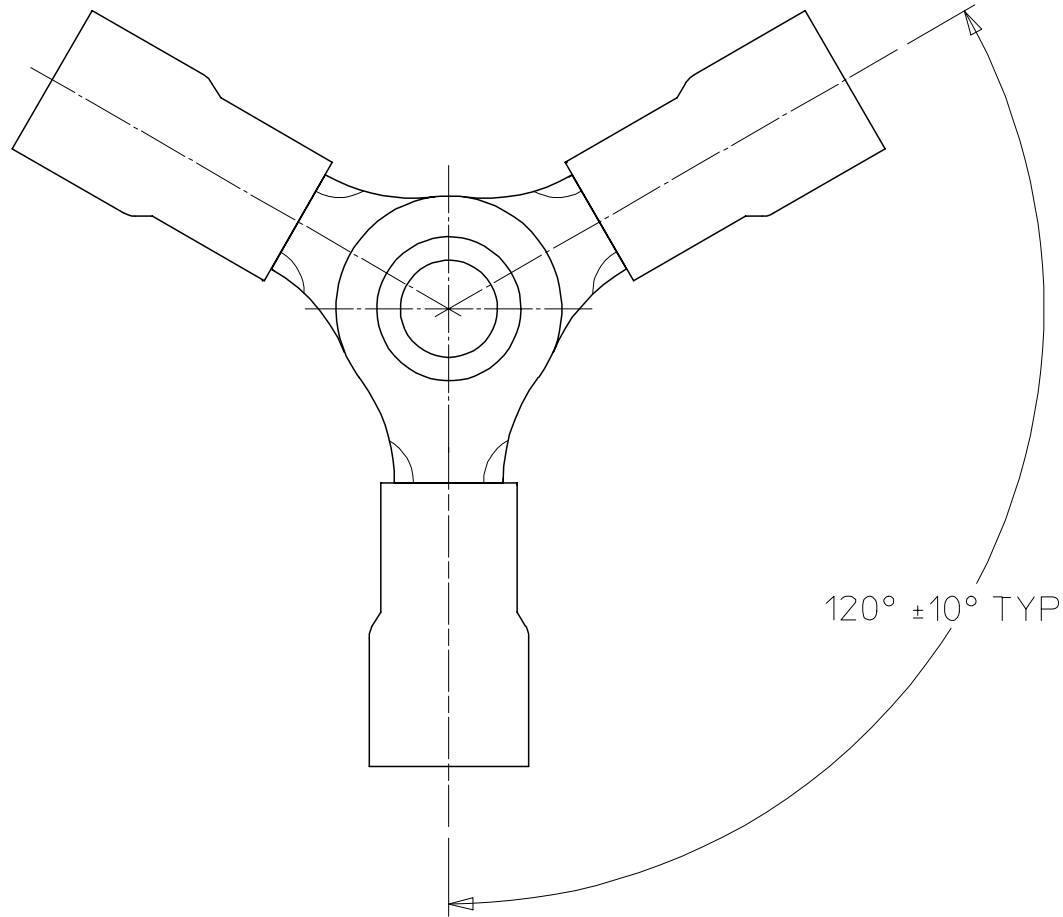
This document was generated on 03/05/2010

PLEASE CHECK WWW.MOLEX.COM FOR LATEST PART INFORMATION

19204

ASSEMBLY NUMBER

MATERIAL NUMBER	ENGINEERING NUMBER
192040002	A-1YC
192040004	A-2YCX
192040005	A-3YC
192040009	A-5YC
192040010	A-8YC
192040012	B-1YC
192040014	B-2YCX
192040016	B-3YC
192040018	B-5YC
192040022	B-8YC
192040024	C-1YC
192040026	C-2YCX
192040028	C-3YC
192040030	C-5YC
192040031	C-8YC
191640011	SA-2YCX
191640042	SB-2YCX
191640074	SC-2YCX



SALES DRAWING

WAS 65252-01C/-02C EC NO: ETC2003-0305 DRWN: DMYRICK 2003/05/16 CHK'D: RWD 2003/05/16 APPR: RDEROSS 2003/05/16	QUALITY SYMBOLS	GENERAL TOLERANCES (UNLESS SPECIFIED)		SCALE NTS	DESIGN UNITS INCH	THIRD ANGLE PROJECTION	REVISE ON CAD ONLY	
	▽ - 0	mm	INCH	DIMENSION STYLE IN/MM		TITLE 3-WAY CONNECTOR ASSEMBLY		
	∇ - 0	4 PLACES ± ---	± ---	DRAWN BY RWD	DATE 03/05/14	MOLEX INCORPORATED		
		3 PLACES ± ---	± .005	CHECKED BY RWD	DATE 03/05/14	MATERIAL NO. (SEE CHART)	DOCUMENT NO. SD-19204-001	SHEET NO. 1 OF 1
		2 PLACES ± 0.13	± .01	APPROVED BY RWD	DATE 03/05/14	THIS DRAWING CONTAINS INFORMATION THAT IS PROPRIETARY TO MOLEX INCORPORATED AND SHOULD NOT BE USED WITHOUT WRITTEN PERMISSION		
		1 PLACE ± 0.25	± ---					
		ANGULAR ± 1/2°						
		DRAFT WHERE APPLICABLE MUST REMAIN WITHIN DIMENSIONS						