

**PLEASE CHECK WWW.MOLEX.COM FOR LATEST PART INFORMATION**

**Part Number:** **0190170014**  
**Status:** **Active**  
**Description:** InsulKrimp™ Quick Disconnect, Female, for 18-22 (0.80-0.35) Wire, Box, Tab 6.35mm (.250") x 0.81mm (.032")

**Documents:**

[Drawing \(PDF\)](#) [RoHS Certificate of Compliance \(PDF\)](#)  
[Product Specification PS-19902-008 \(PDF\)](#)

**Agency Certification**

CSA LR18689  
 UL E79133

**General**

Product Family Quick Disconnects  
 Series 19017  
 Crimp Quality Equipment Yes  
 MolexKits Yes  
 Product Name InsulKrimp™  
 Type Quick Disconnect

**Physical**

Barrel Type Closed  
 Color - Resin Natural  
 Flammability 94V-2  
 Gender Female  
 Glow-Wire Compliant No  
 Insulation PVC  
 Lock to Mating Part None  
 Material - Metal Brass  
 Material - Resin PVC  
 Orientation Straight  
 Packaging Type Bag  
 Polarized to Mating Part No  
 Tab Thickness 0.81mm (.032")  
 Tab Width 6.35mm (.250")  
 Temperature Range - Operating -50°C to +105°C  
 Wire Insulation Diameter 3.40mm (.134") max.  
 Wire Size AWG 18, 20, 22  
 Wire Size mm<sup>2</sup> 0.35 - 0.80

**Electrical**

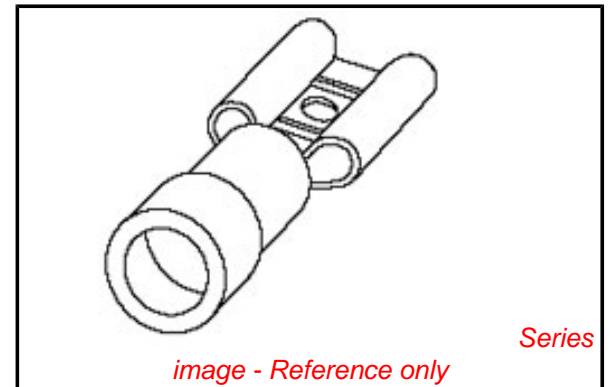
Voltage - Maximum 600V

**Material Info**

Old Part Number AA-2140

**Reference - Drawing Numbers**

Product Specification PS-19902-008  
 Sales Drawing CD2901



**EU RoHS**

**ELV and RoHS Compliant**  
**REACH SVHC**  
 Not Reviewed  
**Halogen-Free Status**  
**Not Reviewed**

**China RoHS**



**Need more information on product environmental compliance?**

Email [productcompliance@molex.com](mailto:productcompliance@molex.com)  
 For a multiple part number RoHS Certificate of Compliance, [click here](#)

Please visit the [Contact Us](#) section for any non-product compliance questions.

**Search Parts in this Series**

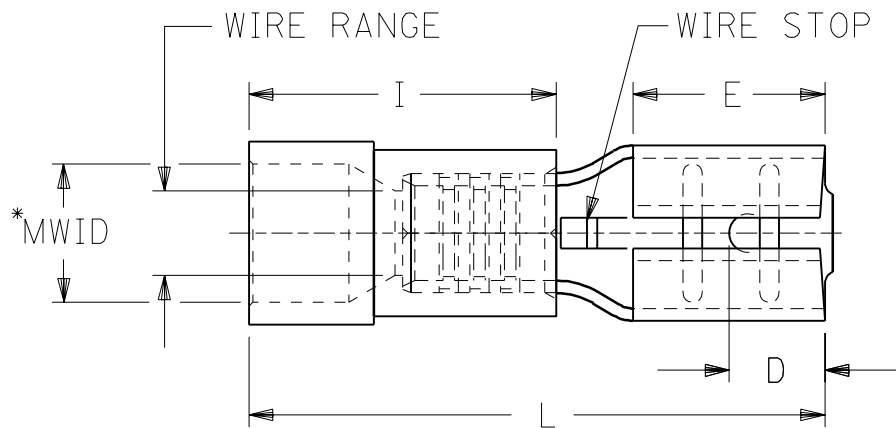
[19017Series](#)

**Application Tooling | FAQ**

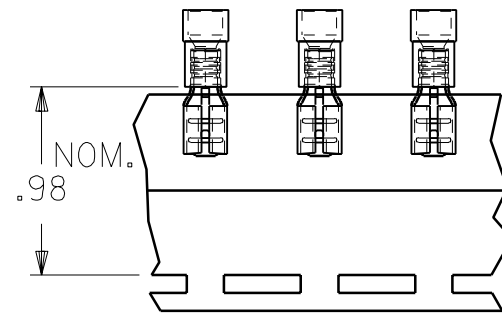
*Tooling specifications and manuals are found by selecting the products below. Crimp Height Specifications are then contained in the Application Tooling Specification document.*

**Global**

Description	Product #
Hand Crimp Tool	<a href="#">0640010200</a>
Hand Crimp Tool	<a href="#">0640011700</a>
Crimp Head for the AT-200™ Pneumatic Hand Tool	<a href="#">0640050200</a>



DRWG. NO. CD-2901



PARTS ON TAPE

PART NUMBERS ARE FOR LOOSE PIECE, TO ORDER PARTS ON TAPE ADD A "T" TO END OF PART NUMBER.

MATERIAL: BRASS  
FINISH: ELECTRO-TIN PLATING  
INSULATION: PVC

\* MWID=MAXIMUM WIRE INSULATION DIAMETER

PART NUMBER	INS. COLOR	WIRE RANGE AWG	MM <sup>2</sup>	FITS MALE TAB SIZE	STOCK THICK.	"L" MAX.	"I" MAX.	"W" MAX.	"D" ±.01	"H" ±.01	"E" NOM.	MWID
AA-2140	RED	22-18	0.25-1.3	.250x.032	.016	.88	.41	.30	.156	.103	.31	.13
BB-2141	BLUE	16-14	1.0-2.6	.250x.032	.016	.88	.41	.30	.156	.103	.31	.14
P-2142	YELLOW	14-12	1.65-4.2	.250x.032	.016	.88	.41	.30	.156	.103	.31	.17
C-2143	YELLOW	12-10	2.6-6.6	.250x.032	.018	1.00	.56	.30	.156	.110	.31	.22
AA-2190-032	RED	22-18	0.25-1.3	.205x.032	.016	.78	.41	.251	.125	.103	.25	.13
BB-2191-032	BLUE	16-14	1.0-2.6	.205x.032	.016	.78	.41	.251	.125	.103	.25	.14
AA-2190	RED	22-18	0.25-1.3	.205x.020	.016	.78	.41	.251	.125	.086	.25	.13
BB-2191	BLUE	16-14	1.0-2.6	.205x.020	.016	.78	.41	.251	.125	.086	.25	.14
AA-2137-032	RED	22-18	0.25-1.3	.187x.032	.016	.78	.41	.24	.125	.103	.25	.13
BB-2138-032	BLUE	16-14	1.0-2.6	.187x.032	.016	.78	.41	.24	.125	.103	.25	.14
P-2139-032	YELLOW	14-12	1.65-4.2	.187x.032	.016	.78	.41	.24	.125	.103	.25	.17
AA-2137	RED	22-18	0.25-1.3	.187x.020	.016	.78	.41	.24	.125	.086	.25	.13
BB-2138	BLUE	16-14	1.0-2.6	.187x.020	.016	.78	.41	.24	.125	.086	.25	.14
P-2136	YELLOW	14-12	1.65-4.2	.187x.020	.016	.78	.41	.24	.125	.086	.25	.17

ECN-P5012  
95/06/09 EMF  
ADDED .205 P/W'S

LTR REVISIONS

REVISE ONLY ON CAD SYSTEM

TITLE  
INSULKRIMP  
QUICK DISCONNECT

CUSTOMER  
DRAWING

DRWG. BY RCM  
CHK'D. BY  
APP'D. BY  
SCALE NO:NE

moLEX ETC INC.  
PINELLAS PARK, FLA. 34665 U.S.A.

PART NO. SEE TABLE

FILE NAME  
CD2901

THIS DRAWING CONTAINS INFORMATION THAT IS PROPRIETARY TO MOLEX-ETC INC. AND SHOULD NOT BE USED WITHOUT WRITTEN PERMISSION.

SHEET NO. DATE  
11/26/90

DRWG. NO. CD-2901

DIV. SIZE  
A