

**PLEASE CHECK WWW.MOLEX.COM FOR LATEST PART INFORMATION**

**Part Number:** [0941035007](#)  
**Status:** **Active**  
**Description:** 2.00mm (.079") Pitch SIP Socket, SMT Version, 7 Circuit

**Documents:**

[3D Model](#) [Product Specification PS-94103-005 \(PDF\)](#)  
[Drawing \(PDF\)](#) [RoHS Certificate of Compliance \(PDF\)](#)

**General**

Product Family	Other Sockets
Series	<a href="#">94103</a>
Component Type	Socket
Product Name	SIP

**Physical**

Circuits (Loaded)	7
Circuits (maximum)	7
Color - Resin	Black
Durability (mating cycles max)	20
Entry Angle	Vertical
Keying to Mating Part	None
Material - Metal	Phosphor Bronze
Material - Plating Mating	Tin
Material - Plating Termination	Tin
Material - Resin	High Temperature Thermoplastic
PCB Locator	No
PCB Retention	None
Packaging Type	Embossed Tape on Reel
Pitch - Mating Interface (in)	0.079 In
Pitch - Mating Interface (mm)	2.00 mm
Pitch - Term. Interface (in)	0.079 In
Pitch - Term. Interface (mm)	2.00 mm
Plating min: Mating (µin)	120.00
Plating min: Mating (µm)	3.000
Plating min: Termination (µin)	120.00
Plating min: Termination (µm)	3.00
Temperature Range - Operating	-40°C to +105°C
Termination Interface: Style	Surface Mount

**Electrical**

Current - Maximum per Contact	1A
Voltage - Maximum	125V AC

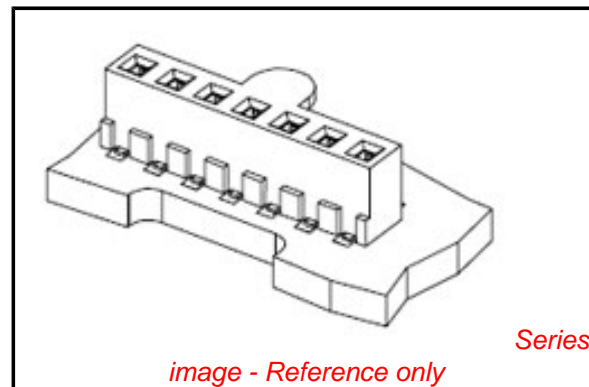
**Solder Process Data**

Lead-free Process Capability	Reflow Capable (SMT only)
Process Temperature max. C	260

**Material Info**

**Reference - Drawing Numbers**

Product Specification	PS-94103-005
Sales Drawing	SD-94103-003



**EU RoHS**

**ELV and RoHS  
Compliant**  
**REACH SVHC  
Contains SVHC: No**  
**Halogen-Free**  
**Status  
Not Reviewed**

**China RoHS**

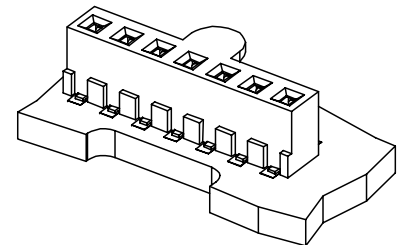
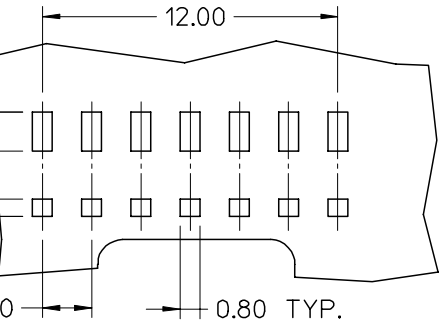
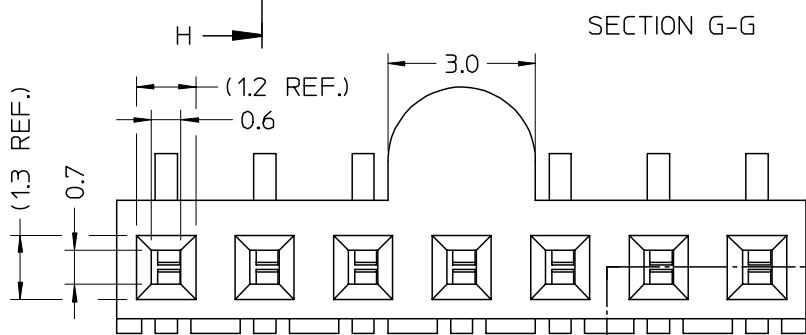
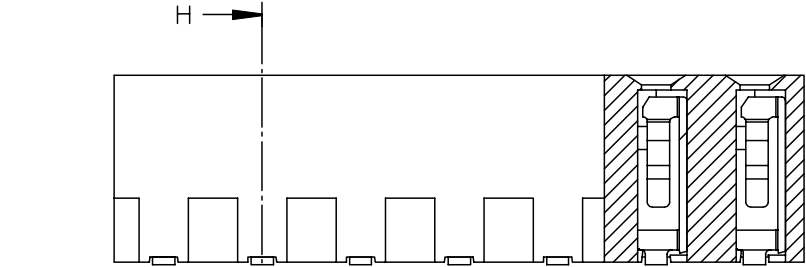
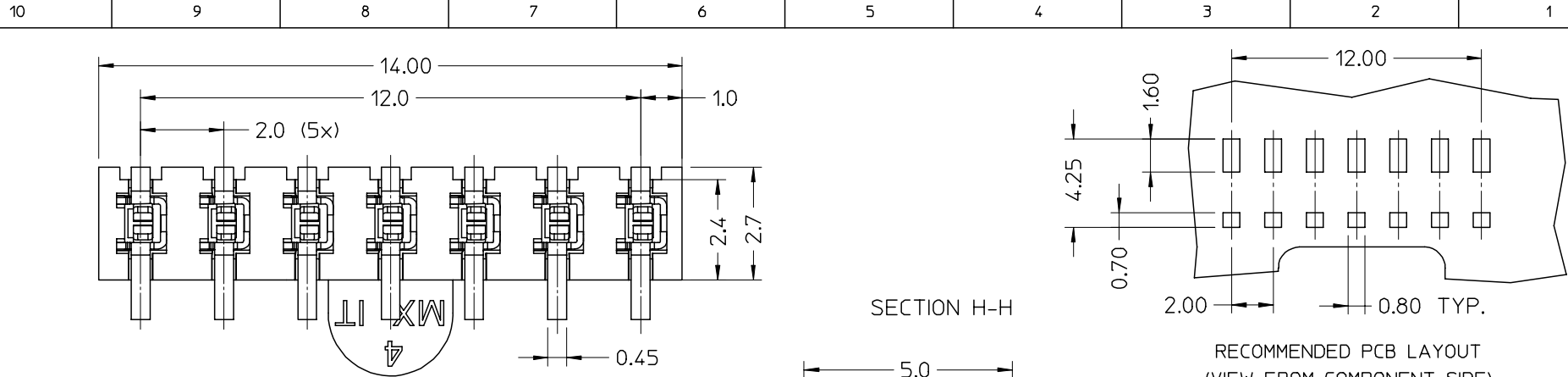


**Need more information on product  
environmental compliance?**

Email [productcompliance@molex.com](mailto:productcompliance@molex.com)  
 For a multiple part number RoHS Certificate of Compliance, [click here](#)

Please visit the [Contact Us](#) section for any non-product compliance questions.

**Search Parts in this Series**  
[94103Series](#)



- NOTES
- 1) MATERIALS:
    - HOUSING: BLACK PA 46, 30 % GF, UL 94 V0
    - TERMINALS: 4 um PRETINNED PhBz
  - 2) SMT LEADS COPLANARITY: 0.15 mm MAX
  - 3) PACKAGING: IN TAPE & REEL
  - 4) SPQ: 16800 pcs/BOX (2400 pcs/REEL - 7 REELS/BOX)
  - 5) PRODUCT CHARACTERISTICS: ACCORDING TO PS-94103-005

Std. Descr.: SIP SOCKET SMT 7 CKT

EC NO: Z2007-0186 DRWN: SBARBIERI 2007/05/09 CHKD: LSANTESSO 2007/05/09 APPR: FBISELLO 2007/05/11	QUALITY SYMBOLS	GENERAL TOLERANCES (UNLESS SPECIFIED)	SCALE 10:1	DESIGN UNITS METRIC	FIRST ANGLE PROJECTION	REVISE ON CAD ONLY																														
		<table border="1"> <thead> <tr> <th></th> <th>mm</th> <th>INCH</th> </tr> </thead> <tbody> <tr> <td>4 PLACES</td> <td>± ---</td> <td>± ---</td> </tr> <tr> <td>3 PLACES</td> <td>± ---</td> <td>± ---</td> </tr> <tr> <td>2 PLACES</td> <td>± 0.05</td> <td>± ---</td> </tr> <tr> <td>1 PLACE</td> <td>± 0.10</td> <td>± ---</td> </tr> </tbody> </table>		mm	INCH	4 PLACES	± ---	± ---	3 PLACES	± ---	± ---	2 PLACES	± 0.05	± ---	1 PLACE	± 0.10	± ---	<table border="1"> <thead> <tr> <th colspan="2">DIMENSION STYLE</th> </tr> <tr> <th colspan="2">MM ONLY</th> </tr> </thead> <tbody> <tr> <td>DRAWN BY</td> <td>DATE</td> </tr> <tr> <td>SBARBIERI</td> <td>2007/05/09</td> </tr> <tr> <td>CHECKED BY</td> <td>DATE</td> </tr> <tr> <td>LSANTESSO</td> <td>2007/05/09</td> </tr> <tr> <td>APPROVED BY</td> <td>DATE</td> </tr> <tr> <td>FBISELLO</td> <td>2007/05/09</td> </tr> </tbody> </table>	DIMENSION STYLE		MM ONLY		DRAWN BY	DATE	SBARBIERI	2007/05/09	CHECKED BY	DATE	LSANTESSO	2007/05/09	APPROVED BY	DATE	FBISELLO	2007/05/09	TITLE	7 CKT SIP SOCKET SMT VERSION
			mm	INCH																																
		4 PLACES	± ---	± ---																																
3 PLACES	± ---	± ---																																		
2 PLACES	± 0.05	± ---																																		
1 PLACE	± 0.10	± ---																																		
DIMENSION STYLE																																				
MM ONLY																																				
DRAWN BY	DATE																																			
SBARBIERI	2007/05/09																																			
CHECKED BY	DATE																																			
LSANTESSO	2007/05/09																																			
APPROVED BY	DATE																																			
FBISELLO	2007/05/09																																			
DRAFT WHERE APPLICABLE MUST REMAIN WITHIN DIMENSIONS	MOLEX INCORPORATED	MATERIAL NO.	94103-5007																																	
REV A	DESCRIPTION	DOCUMENT NO.	SD-94103-003																																	
		SHEET NO.	1 OF 1																																	