

**PLEASE CHECK WWW.MOLEX.COM FOR LATEST PART INFORMATION**

**Part Number:** [0643241149](#)  
**Status:** **Active**  
**Overview:** [cmc connectors](#)  
**Description:** 2.80mm (.110"), CMC CP Female Terminal, Tin plated, Selective 1.27µm Gold in Contact Area, for Tab Dimensions 2.8mm x 0.8mm , Wire Size 0.50mm<sup>2</sup> to 1mm<sup>2</sup>

**Documents:**

[3D Model](#) [RoHS Certificate of Compliance \(PDF\)](#)  
[Drawing \(PDF\)](#)

**General**

|                         |   |
|-------------------------|---|
| Product Family          | Crimp Terminals   |
| Series                  | <a href="#">64324</a>   |
| Comments                | * Current tested on a fully loaded connector, current for temperature increase of 40°C. Curent max = 21.0A for 2.8mm Terminal (5.0mm <sup>2</sup> wire) |
| Crimp Quality Equipment | Yes   |
| Overview                | <a href="#">cmc connectors</a>  |
| Product Name            | CP Terminal   |

**Physical**

|                                |                      |
|--------------------------------|----------------------|
| Durability (mating cycles max) | 20                   |
| Gender                         | Female               |
| Material - Metal               | High Copper          |
| Material - Plating Mating      | Gold                 |
| Material - Plating Termination | Gold                 |
| Packaging Type                 | Reel                 |
| Plating min: Mating (µin)      | 50.8                 |
| Plating min: Mating (µm)       | 1.27                 |
| Termination Interface: Style   | Crimp or Compression |
| Wire Insulation Diameter       | 1.40mm-2.15mm        |
| Wire Size AWG                  | N/A                  |
| Wire Size mm <sup>2</sup>      | 0.5 - 1.0            |

**Electrical**

|                               |         |
|-------------------------------|---------|
| Current - Maximum per Contact | 21A     |
| Voltage - Maximum             | 250V AC |

**Material Info**

**Reference - Drawing Numbers**

|                         |              |
|-------------------------|--------------|
| Packaging Specification | PK-98910-001 |
| Sales Drawing           | SD-64324-001 |



*image - Reference only*

**EU RoHS**

**ELV and RoHS Compliant**  
**REACH SVHC**  
 Not Reviewed  
**Halogen-Free Status**  
**Not Reviewed**

**China RoHS**



**Need more information on product environmental compliance?**

Email [productcompliance@molex.com](mailto:productcompliance@molex.com)  
 For a multiple part number RoHS Certificate of Compliance, [click here](#)

Please visit the [Contact Us](#) section for any non-product compliance questions.

**Search Parts in this Series**

[64324Series](#)

**Mates With**

CMC Connector [64318](#) , [64321](#). CMC Wire Seal [64325](#)

**Use With**

CMC Connector [64318](#) , [64321](#). CMC Wire Seal [64325](#)

**Application Tooling | FAQ**

*Tooling specifications and manuals are found by selecting the products below. Crimp Height Specifications are then contained in the Application Tooling Specification document.*

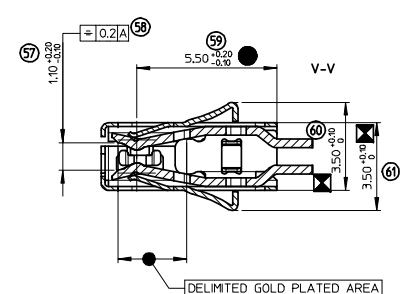
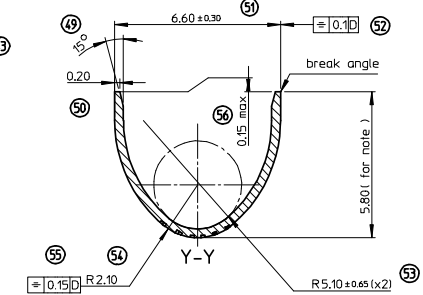
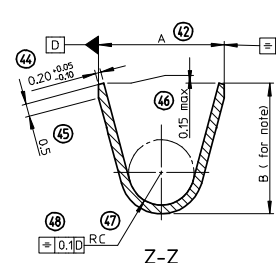
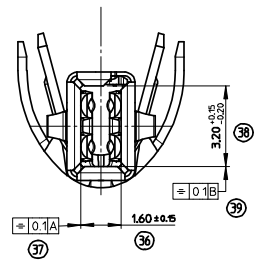
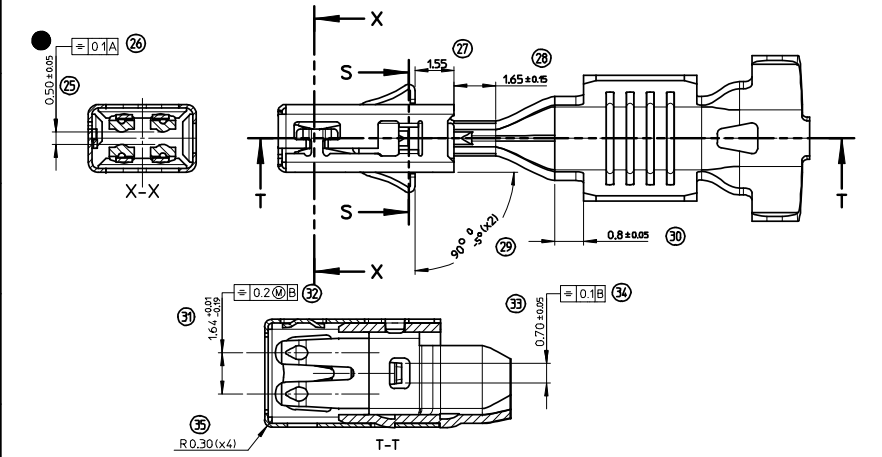
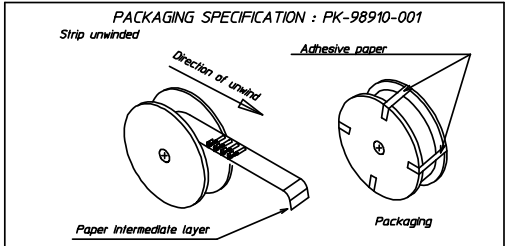
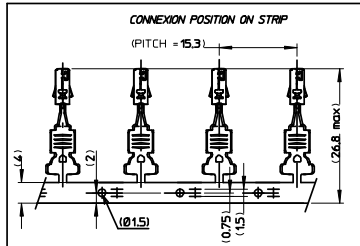
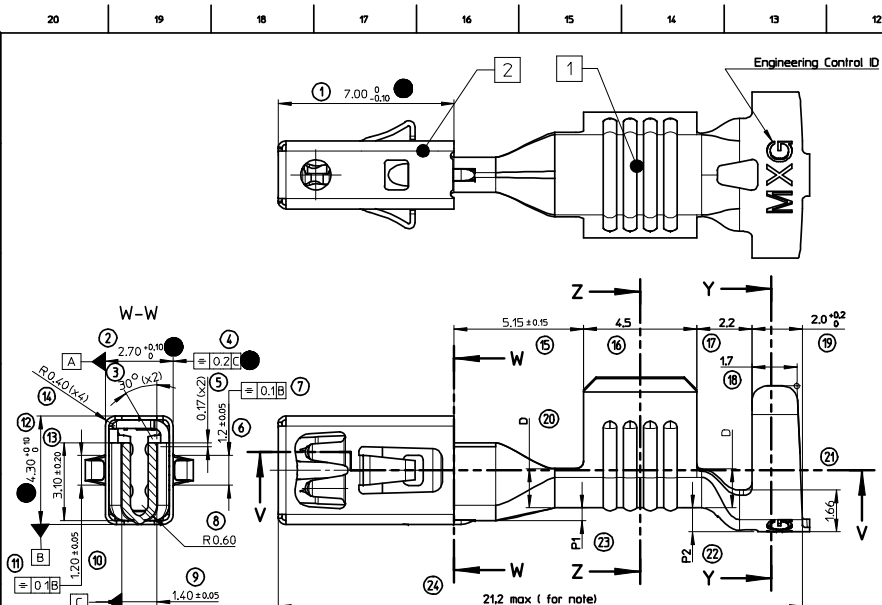
**Global**

| Description                   | Product #                  |
|-------------------------------|----------------------------|
| Hand Crimp Tool for           | <a href="#">0638193400</a> |
| CP 2.8 Receptacle             |                            |
| 18-20 AWG Type                |                            |
| TXL Wire and                  |                            |
| 0.50-0.75mm <sup>2</sup> Type |                            |

ID & ID Wire with  
2.80mm (.110"),  
CMC Wire Seal  
Receptacle  
Hand Crimp Tool for 0638193500  
CP 2.8 Receptacle  
1.00mm Type ID  
& ID Wire with  
2.80mm2 (.110"),  
CMC Wire Seal  
Receptacle  
Mini-Mac™ 0638951200  
Applicator for  
CP2.8 Terminals,  
0.50-1.00mm ID & IR  
Wire  
Extraction Tool 0638132500

This document was generated on 05/19/2010

**PLEASE CHECK [WWW.MOLEX.COM](http://WWW.MOLEX.COM) FOR LATEST PART INFORMATION**

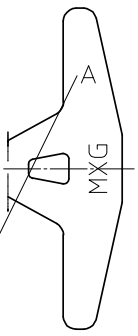


NOTE:  
- CRIMPING SPECIFICATION ACCORDING TO CS-64324-001

| MARK | DESIGNATION   | MATERIAL   |
|------|---------------|--|
| 2    | BOX TERMINAL  | STAINLESS STEEL thickness : 0.15 mm                |
| 1    | BODY TERMINAL | HIGH CONDUCTIVITY COPPER ALLOY thickness : 0.35 mm |

| MATERIAL NUMBER | CONTACT AREA  | CRIMPING AREA PLATING | UNDERLAYER | CRIMPING RANGE (mm <sup>2</sup> ) | A ±0.2 | B   | rC ±0.1 | D ±0.1 | P1 ±0.1                   | P2 ±0.0                  | WEIGHT (g) | Identification |
|-----------------|---------------|-----------------------|------------|-----------------------------------|--------|-----|---------|--------|---------------------------|--------------------------|------------|----------------|
| 0643241119      | Au 1.27µ MINI | Sn                    | Ni         | >3 TO 5                           | 5.0    | 5.2 | 1.3     | 1.55   | 0.5                       | 0.95                     | 0.4902     | D              |
| 0643241019      | Sn            | Sn                    |            |                                   |        |     |         |        |                           |                          | 0.4795     |                |
| 0643241129      | Au 1.27µ MINI | Sn                    | Ni         | >2 TO 3                           | 4.1    | 4.4 | 1.0     | 1.45   | 0.5                       | 0.95                     | 0.4604     | C              |
| 0643241029      | Sn            | Sn                    |            |                                   |        |     |         |        |                           |                          | 0.4470     |                |
| 0643241139      | Au 1.27µ MINI | Sn                    | Ni         | >1 TO 2                           | 4.1    | 3.5 | 0.9     | 1.3    | 0.85 <sup>+0.1</sup> -0.2 | 1.3 <sup>+0.1</sup> -0.2 | 0.4274     | B              |
| 0643241039      | Sn            | Sn                    |            |                                   |        |     |         |        |                           |                          | 0.4191     |                |
| 0643241149      | Au 1.27µ MINI | Sn                    | Ni         | 0.50 TO 1                         | 2.8    | 2.6 | 0.7     | 1.1    | 0.85 <sup>+0.1</sup> -0.2 | 1.3                      | 0.3916     | A              |
| 0643241049      | Sn            | Sn                    |            |                                   |        |     |         |        |                           |                          | 0.3815     |                |

crimp range identification



|                                   |                                      |
|-----------------------------------|--------------------------------------|
| (SKC)                             | COTES CARACTERISTIQUES SPECIALES     |
| (SKC)                             | SPECIAL KEY CHARACTERISTICS          |
| (X)                               | INDICATION DIMENSIONS S.P.C          |
| (X)                               | DENOTES S.P.C DIMENSIONS             |
| (X)                               | INDICATION DIMENSIONS CRITIQUES      |
| (X)                               | DENOTES CRITICAL DIMENSIONS          |
| (X)                               | INDICATION DIMENSIONS FONCTIONNELLES |
| (X)                               | DENOTES FUNCTIONAL DIMENSIONS        |
| QUANTITE PAR FEUILLE INDIVIDUELLE |                                      |
| QUANTITY PER INDIVIDUAL SHEET     |                                      |
| (X) 2                             | (X) 0                                |
| (X) 6                             | (SKC) 0                              |

|   |                                       |           |                 |                    |       |              |                        |
|---|---------------------------------------|-----------|-----------------|--------------------|-------|--------------|------------------------|
| Revised Dwg<br>ELC NO: 62008-0440<br>DRWNE: JULIO 2008/05/19<br>CHKD: FPAROLARI 2008/05/19<br>APPR: LSTICKEIR 2008/05/19      | GENERAL TOLERANCES (UNLESS SPECIFIED) |           | DIMENSION STYLE |                    | SCALE | DESIGN UNITS | FIRST ANGLE PROJECTION |
|   | mm                                    | INCH      | MM ONLY         |                    |       |              |                        |
|   | 4 PLACES ± --- ± ---                  |           |                 | DRAWN BY           | DATE  |              |                        |
| 3 PLACES ± --- ± ---  |                                       |           | VGUERIN         | 2007/11/07         | TITLE |              |                        |
| 2 PLACES ± 0.10 ± ---   |                                       |           | CHECKED BY      | DATE               |       |              |                        |
| 1 PLACE ± 0.1 ± ---   |                                       |           | FPAROLARI       | 2007/11/07         |       |              |                        |
|   |                                       |           | APPROVED BY     | DATE               |       |              |                        |
|   |                                       |           | LSTICKEIR       | 2007/11/07         |       |              |                        |
|   |                                       |           | MATERIAL NO.    |                    |       |              |                        |
| DRAFT WHERE APPLICABLE MUST REMAIN WITHIN DIMENSIONS  |                                       | SEE CHART |                 | MOLEX INCORPORATED |       | SD-64324-001 |                        |
| THIS DRAWING CONTAINS INFORMATION THAT IS PROPRIETARY TO MOLEX INCORPORATED AND SHOULD NOT BE USED WITHOUT WRITTEN PERMISSION |                                       |           |                 | DOCUMENT NO.       |       | SHEET NO.    |                        |
|   |                                       |           |                 |                    |       | 1 OF 1       |                        |