

**PLEASE CHECK WWW.MOLEX.COM FOR LATEST PART INFORMATION**

**Part Number:** [0712432002](#)  
**Status:** **Active**  
**Description:** 1.27mm (.050") Pitch DIMM Socket, Single Key, Vertical, Plastic Peg, 160 Circuits

**Documents:**

[3D Model](#) [Product Specification PS-71243-9999 \(PDF\)](#)  
[Drawing \(PDF\)](#) [RoHS Certificate of Compliance \(PDF\)](#)

**Agency Certification**

CSA LR19980  
 UL E29179

**General**

Product Family Memory Module Sockets  
 Series [71243](#)  
 Component Type Memory Module  
 JEDEC Outline N/A  
 Product Name DIMM

**Physical**

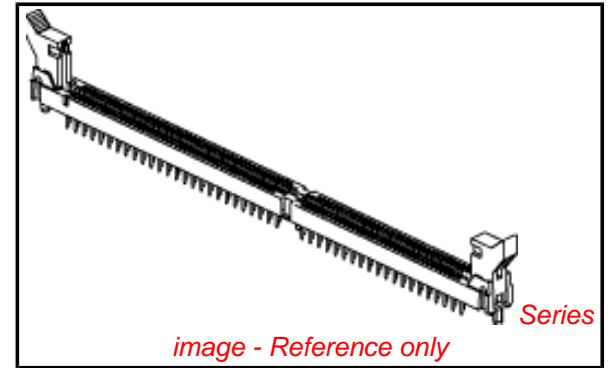
Circuits (Loaded) 160  
 Circuits (maximum) 160  
 Color - Resin Black, Natural  
 Durability (mating cycles max) 25  
 Entry Angle Vertical  
 Flammability 94V-0  
 Function Key None  
 Keying to Mating Part Yes  
 Material - Metal Phosphor Bronze  
 Material - Plating Mating Gold  
 Material - Plating Termination Tin  
 Material - Resin High Temperature Thermoplastic  
 PC Tail Length (in) 0.127 In  
 PC Tail Length (mm) 3.23 mm  
 PCB Locator Yes  
 PCB Retention Yes  
 PCB Thickness Recommended (in) 0.062 In  
 PCB Thickness Recommended (mm) 1.57 mm  
 Packaging Type Tray  
 Pitch - Mating Interface (in) 0.050 In  
 Pitch - Mating Interface (mm) 1.27 mm  
 Pitch - Term. Interface (in) 0.050 In  
 Pitch - Term. Interface (mm) 1.27 mm  
 Plating min: Mating (µin) 2  
 Plating min: Mating (µm) 0.05  
 Plating min: Termination (µin) 150  
 Plating min: Termination (µm) 3.81  
 Temperature Range - Operating -40°C to +85°C  
 Termination Interface: Style Through Hole

**Electrical**

Current - Maximum per Contact 1A  
 Voltage - Maximum 100V AC (RMS)/DC  
 Voltage Key OFFSET LEFT

**Solder Process Data**

Lead-free Process Capability Wave Capable (TH only)



*image - Reference only*

**EU RoHS**

**ELV and RoHS  
 Compliant**  
**REACH SVHC**  
 Not Reviewed  
**Halogen-Free  
 Status**

**China RoHS**



**Not Reviewed**

**Need more information on product  
 environmental compliance?**

Email [productcompliance@molex.com](mailto:productcompliance@molex.com)  
 For a multiple part number RoHS Certificate of  
 Compliance, [click here](#)

Please visit the [Contact Us](#) section for any  
 non-product compliance questions.

**Search Parts in this Series**

71243Series

**Material Info**

**Reference - Drawing Numbers**

Product Specification

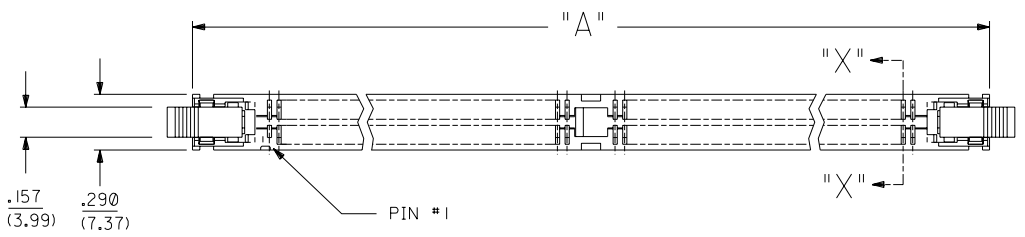
Sales Drawing

PS-71243-9999

SDA-71243-2\*\*\*

This document was generated on 04/13/2010

**PLEASE CHECK [WWW.MOLEX.COM](http://WWW.MOLEX.COM) FOR LATEST PART INFORMATION**

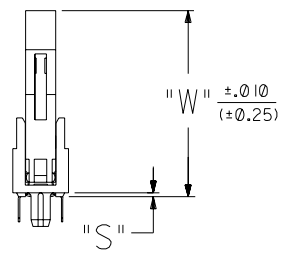
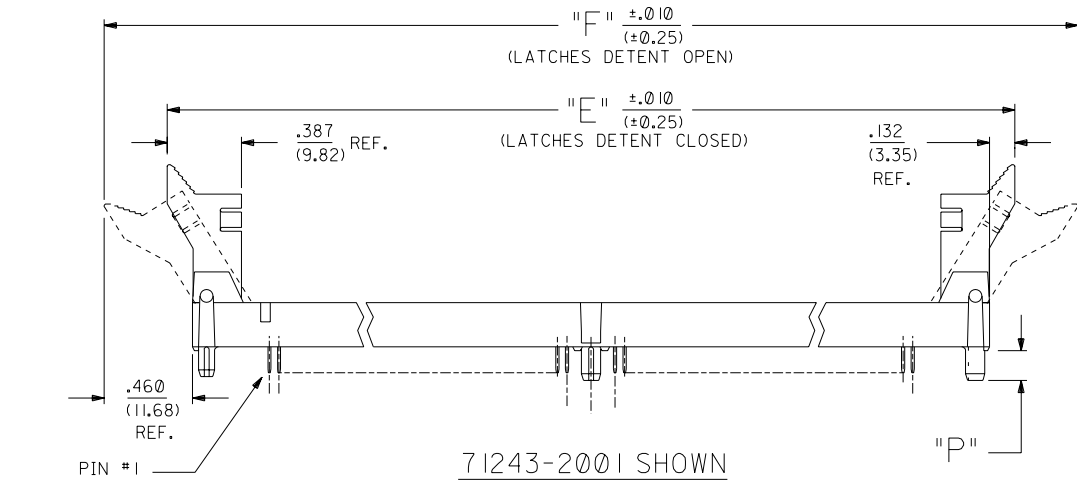


- NOTES:
- CARD SLOT ACCEPTS  $.050 \pm .004$  ( $1.27 \pm 0.10$ ) MODULE THICKNESS. (MEASURED OVER P.C. PADS).
  - ALL PEGS ARE INTERFERENCE FITS TO PCB UNLESS NOTED ON THE DWG.
  - REFER TO PRODUCT SPEC PS-71243-9999 FOR PERFORMANCE SPECIFICATIONS.
  - PRODUCT IS PACKAGED IN TRAYS.
  - RECOMMENDED MODULE LAYOUT SHALL BE PER SHEET 2.
  - RECOMMENDED PLATING ON MODULE PADS: 30 MICROINCH/ $(0.76$  MICROMETER) MINIMUM HARD GOLD (Au) OVER 79 MICROINCH/ $(2.0$  MICROMETER) MINIMUM NICKEL (Ni).
  - PRODUCT WILL HAVE DATE CODE STAMPED ON SIDE OF HOUSING.

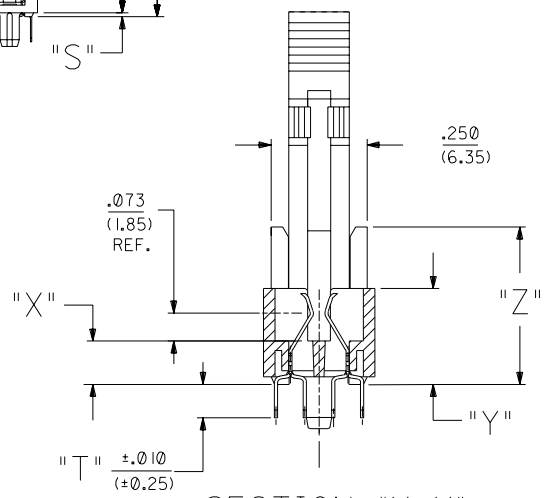
MATERIALS:  
 HOUSING - GLASS FILLED LIQUID CRYSTAL POLYMER (LCP), UL 94V-0, COLOR: BLACK.  
 TERMINAL - PHOSPHOR BRONZE  
 LATCHES - GLASS FILLED HIGH TEMPERATURE NYLON, UL 94V-0, COLOR: IVORY.

PLATING:  
 CONTACT AREA: GOLD (Au) FLASH; THICKNESS= $2-10$  MICROINCH/ $(0.05-0.25$  MICROMETER), OVER PALLADIUM-NICKEL (Pd-Ni); THICKNESS= $30$  MICROINCH/ $(0.76$  MICROMETER) MINIMUM.  
 SOLDER TAILS: TIN (Sn); THICKNESS= $150$  MICROINCH/ $(3.81$  MICROMETER) MINIMUM.  
 UNDERPLATE: NICKEL (Ni) OVER ENTIRE CONTACT.

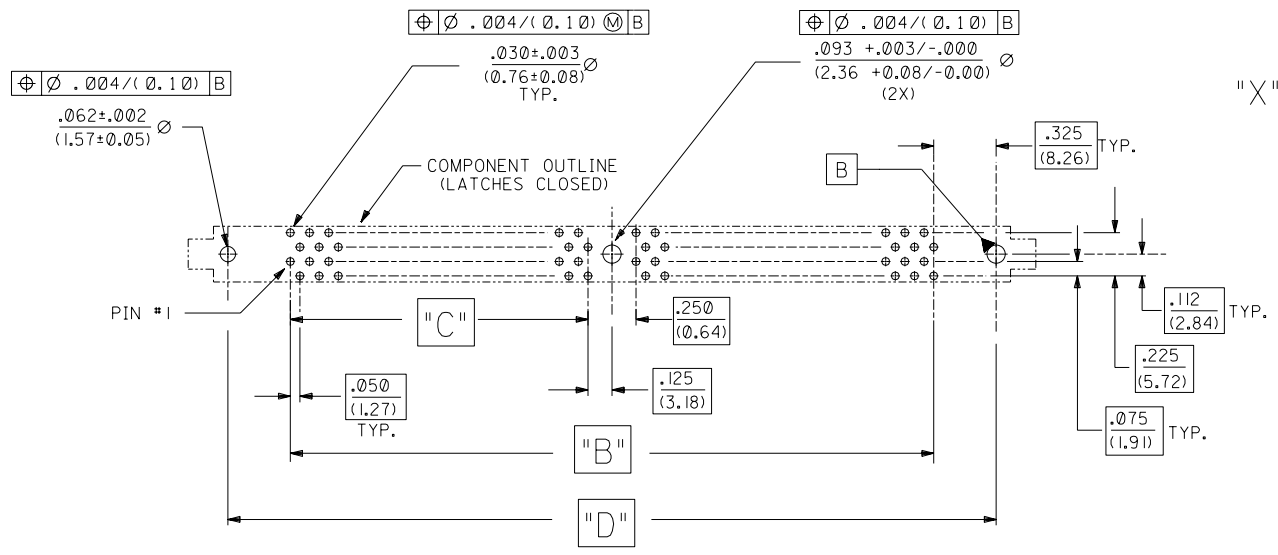
NOTE FOR LEAD FREE CONVERSION:  
 THE PRIMARY SHIPPING CARTON WILL BE LABELED "COMPLIANT TO ROHS DIRECTIVE 2002/95/EC AND ELV ANNEX II OF DIRECTIVE 2000/53/EC". CARTONS WITHOUT THIS LABEL MAY CONTAIN PRODUCT WITH LEAD.



71243-2001 SHOWN



SECTION "X-X"  
 SCALE 4:1



RECOMMENDED  
 P.C. BOARD HOLE PATTERN  
 (CONNECTOR SIDE)

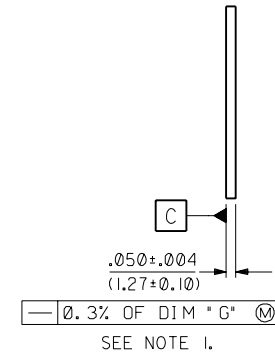
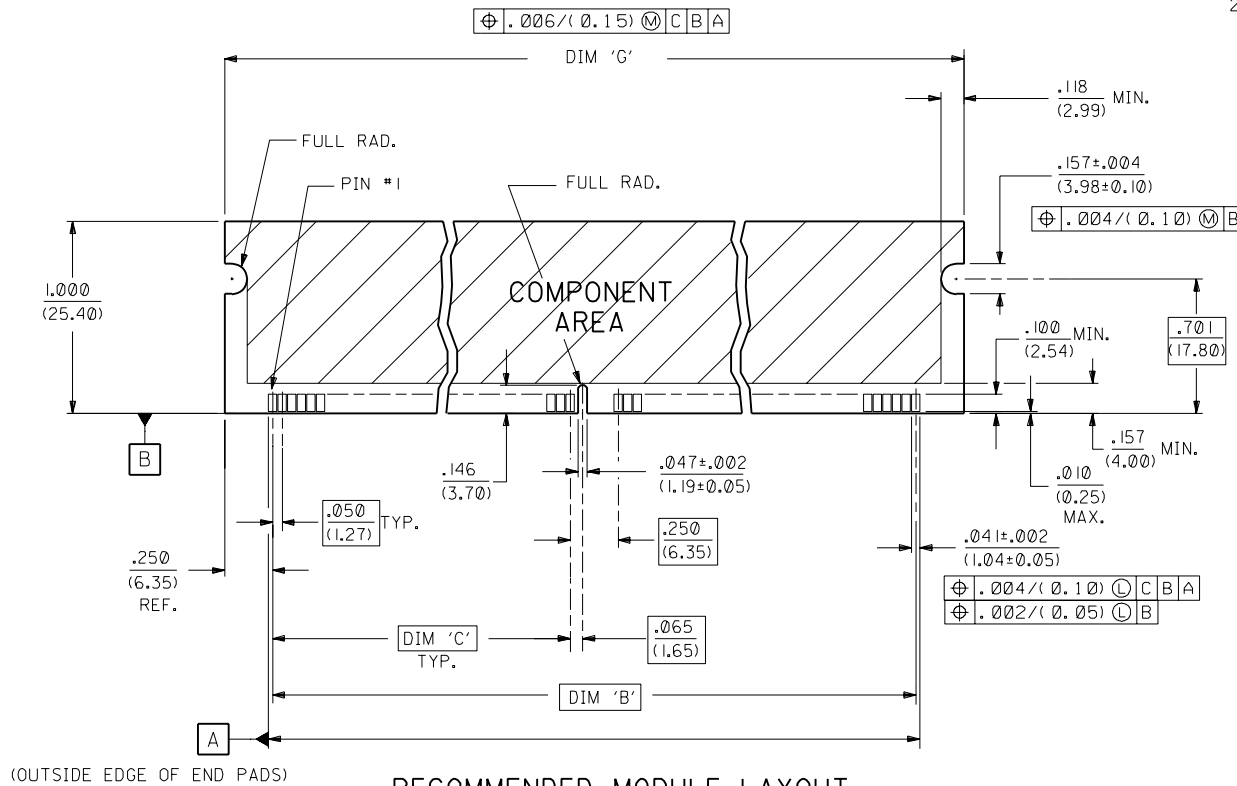
|    |  |
|----|--|
| DI | ADD LEAD FREE NOTE<br>ECR# UCP2004-1732<br>DMORGAN 04/03/09  |
| D  | CHG Sn-Pb THICKNESS<br>ECR# UDI1999-0454<br>DMORGAN 99/08/09 |
| C  | REVISED PER<br>ECR# UG1133<br>96-10-1 LAURX                  |
| B  | REVISED PER<br>ECR# U51288<br>8-4-95 JCL                     |
| AI | REVISED PER<br>ECR# U50965<br>3-22-95 JCL                    |
| A  | RMVD X, REVISED<br>PER ECR# U50617<br>12-27-94 JCL           |
| 2  | REVISED PER<br>ECR# U50419<br>11-8-94 JCL                    |
| 1  | RELEASED PER<br>ECR# U40711<br>10-14-94 DCB                  |

|   |               |   |  |
|---|---------------|---|--|
| DIMENSIONS SHOWN (METRIC) INCH<br>UNLESS OTHERWISE SPECIFIED<br>TOLERANCES: ANGULAR $\pm 1/2^\circ$ |               | TITLE<br><b>.050/(1.27) PITCH<br/>SINGLE HIGH KEY DIMM<br/>17.8mm LATCH SALES DRAWING</b> |  |
| 3 PLACE $\pm .005$  | INCH          | ---   | METRIC   |
| 2 PLACE $\pm .01$   | $\pm .01$     | $\pm .013$  |  |
| 1 PLACE ---   | $\pm 0.25$    |   |  |
| DRAFT WHERE APPLICABLE MUST<br>REMAIN WITHIN DIMENSIONS   |               | MOLEX INCORPORATED SHEET NO. DATE<br>LITSE,ILL. 60532 U.S.A. 1 OF 2 10/13/94              |  |
| DRWG. BY JCL  | CHK'D. BY DCB | PART NO. SDA-71243-2  | DRWG. NO. 2  |
| APPRD. BY   | SCALE 2:1     | FILE NAME 57124321.DGN  | THIS DRAWING CONTAINS INFORMATION THAT IS PROPRIETARY TO MOLEX INC. AND SHOULD NOT BE USED WITHOUT WRITTEN PERMISSION. |

| X=<br>N.T. | ITEM NUMBER | CIRCUIT<br>SIZE | DIM 'A'                  | DIM 'B'                  | DIM 'C'                 | DIM 'D'                  | DIM 'E'                  | DIM 'F'                  | DIM 'G'                  | DIM 'P'               | DIM 'S'               | DIM 'T'               | DIM 'W'                | DIM 'X'               | DIM 'Y'               | DIM 'Z'                |
|------------|-------------|-----------------|--------------------------|--------------------------|-------------------------|--------------------------|--------------------------|--------------------------|--------------------------|-----------------------|-----------------------|-----------------------|------------------------|-----------------------|-----------------------|------------------------|
|            | 71243-2001  | 200             | $\frac{5.950}{(151.13)}$ | $\frac{5.150}{(130.81)}$ | $\frac{2.450}{(62.23)}$ | $\frac{5.800}{(147.32)}$ | $\frac{6.214}{(157.83)}$ | $\frac{6.870}{(174.50)}$ | $\frac{5.650}{(143.51)}$ | $\frac{.155}{(3.94)}$ | $\frac{.020}{(0.51)}$ | $\frac{.127}{(3.23)}$ | $\frac{.970}{(24.64)}$ | $\frac{.113}{(2.87)}$ | $\frac{.250}{(6.35)}$ | $\frac{.410}{(10.41)}$ |
|            | 71243-2002  | 160             | $\frac{4.950}{(125.73)}$ | $\frac{4.150}{(105.41)}$ | $\frac{1.950}{(49.53)}$ | $\frac{4.800}{(121.92)}$ | $\frac{5.214}{(132.44)}$ | $\frac{5.870}{(149.10)}$ | $\frac{4.650}{(118.11)}$ | $\frac{.155}{(3.94)}$ | $\frac{.020}{(0.51)}$ | $\frac{.127}{(3.23)}$ | $\frac{.970}{(24.64)}$ | $\frac{.113}{(2.87)}$ | $\frac{.250}{(6.35)}$ | $\frac{.410}{(10.41)}$ |
|            | 71243-2003  | 144             | $\frac{4.550}{(115.57)}$ | $\frac{3.750}{(95.25)}$  | $\frac{1.750}{(44.45)}$ | $\frac{4.400}{(111.76)}$ | $\frac{4.814}{(122.28)}$ | $\frac{5.470}{(138.94)}$ | $\frac{4.250}{(107.95)}$ | $\frac{.155}{(3.94)}$ | $\frac{.020}{(0.51)}$ | $\frac{.127}{(3.23)}$ | $\frac{.970}{(24.64)}$ | $\frac{.113}{(2.87)}$ | $\frac{.250}{(6.35)}$ | $\frac{.410}{(10.41)}$ |

NOTES:

1. STRAIGHTNESS OF MODULE APPLIES TO THE AREA FROM THE BOTTOM OF THE CARD UP .157/(4.00).
2. IF TIE BARS ARE ATTACHED TO PADS, THE TIE BAR SHOULD BE ON AN INTERNAL LAYER, SO THAT THE REMNANT CANNOT CAUSE DAMAGE TO THE CONTACTS.



|    |             |
|----|-------------|
| C  | SEE SHEET 1 |
| B  | SEE SHEET 1 |
| A1 | SEE SHEET 1 |
| A  | SEE SHEET 1 |
| 2  | SEE SHEET 1 |
| 1  | SEE SHEET 1 |

|  |                |  |                         |
|--|----------------|--|-------------------------|
| DIMENSIONS SHOWN (METRIC) INCH   |                | UNLESS OTHERWISE SPECIFIED TOLERANCES ANGULAR ± 1/2° |                         |
| 3 PLACE ± .005   | INCH           | ---  | METRIC                  |
| 2 PLACE ± .01  | ± 0.13         | ---  | ---                     |
| 1 PLACE ---  | ± 0.25         | ---  | ---                     |
| DRAFT WHERE APPLICABLE MUST REMAIN WITHIN DIMENSIONS                     |                |  |                         |
| DRWG. BY: JCL  | CHK'D. BY: DCB | SCALE: 2:1   | FILE NAME: S7124322.DGN |
| SEE CHART  |                | SDA-71243-2***                                       |                         |
| MFG. SH. REV. LTR.   |                | REVISE ONLY ON CAD SYSTEM                            |                         |
| TITLE: .050/(1.27) PITCH SINGLE HIGH KEY DIMM 17.8mm LATCH SALES DRAWING |                |  |                         |
| MOLEX INCORPORATED   |                | SHEET NO. 2 DATE 10/13/94                            |                         |
| L15LEJLL 60532 U.S.A.  |                | DIV. CP  |                         |

71243