

**PLEASE CHECK WWW.MOLEX.COM FOR LATEST PART INFORMATION**

**Part Number:** [0513532400](#)  
**Status:** **Active**  
**Overview:** microclasp  
**Description:** 2.00mm (.079") Pitch MicroClasp™ Wire-to-Board Receptacle Housing, Positive Lock, Dual Row, 24 circuits

**Documents:**

[3D Model](#) [Product Specification PS-51353-003 \(PDF\)](#)  
[Drawing \(PDF\)](#) [RoHS Certificate of Compliance \(PDF\)](#)

**Agency Certification**

UL E29179

**General**

Product Family Crimp Housings  
 Series [51353](#)  
 Overview [microclasp](#)  
 Product Name MicroClasp™

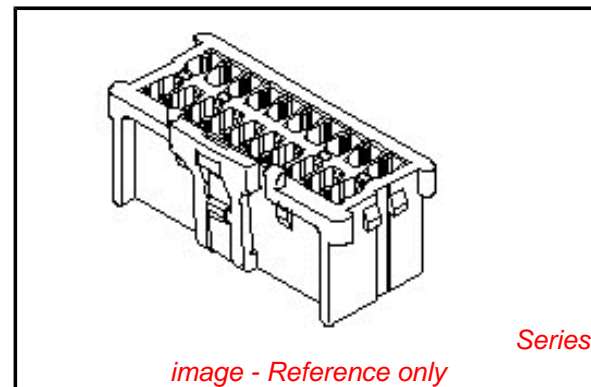
**Physical**

Circuits (maximum) 24  
 Color - Resin White  
 Flammability 94V-0  
 Gender Female  
 Glow-Wire Compliant No  
 Lock to Mating Part Yes  
 Material - Resin Nylon  
 Number of Rows 2  
 Packaging Type Bag  
 Panel Mount No  
 Pitch - Mating Interface (in) 0.079 In  
 Pitch - Mating Interface (mm) 2.00 mm  
 Stackable No  
 Temperature Range - Operating -25°C to +85°C

**Material Info**

**Reference - Drawing Numbers**

Packaging Specification SPK-51353-001  
 Product Specification PS-51353-003, RPS-501844-001, RPS-51353-008, RPS-51353-009, RPS-51353-010, RPS-51353-013, RPS-51353-014, RPS-51353-016, RPS-51353-017, RPS-51353-018, RPS-51353-019, RPS-51353-020, RPS-51353-022, RPS-51353-024, RPS-51353-025, RPS-51353-026, RPS-51353-030  
 Sales Drawing SD-51353-002



**EU RoHS**

**ELV and RoHS Compliant**  
**REACH SVHC Contains SVHC: No**  
**Halogen-Free Status**

**China RoHS**



**Need more information on product environmental compliance?**

Email [productcompliance@molex.com](mailto:productcompliance@molex.com)  
 For a multiple part number RoHS Certificate of Compliance, [click here](#)

Please visit the [Contact Us](#) section for any non-product compliance questions.

**Search Parts in this Series**

[51353Series](#)

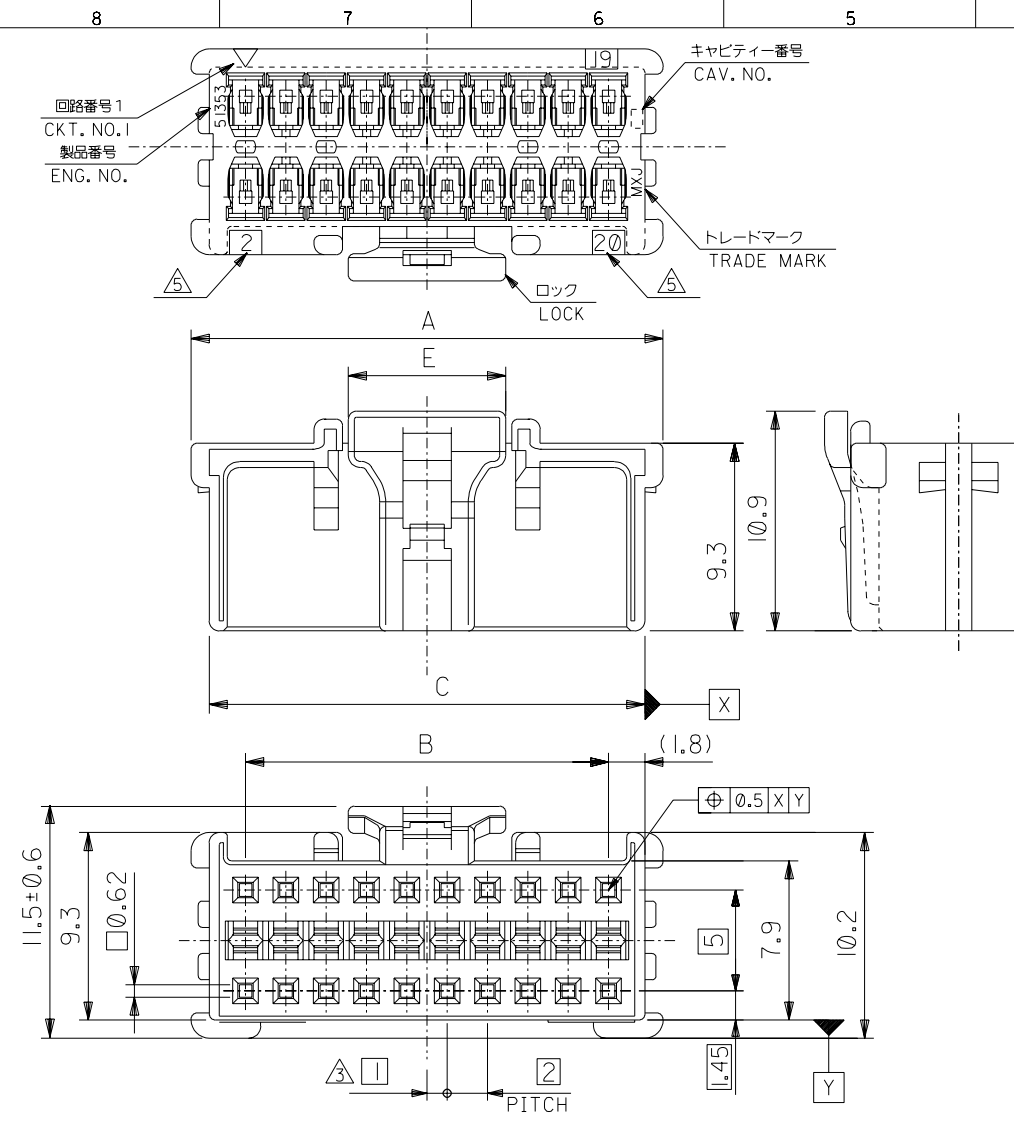
**Mates With**

[55917](#) Vertical Header with Kinked PC Tails, [55959](#) Right Angle Header, [501844](#) Vertical Header

**Use With**

[56134](#) Terminal

DO NOT SCALE DRAWING



**注記 NOTES**

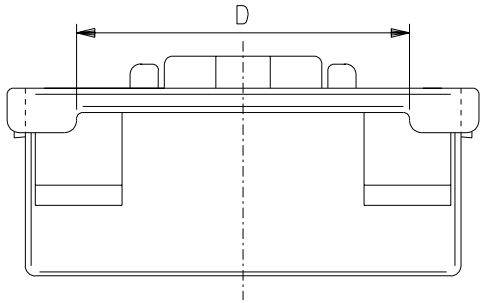
△ 適合ターミナル : 56134-9000, 9100  
 APPLICABLE TERMINAL : 56134-9000, 9100

2. 嵌合相手 : 55917, 55959 シリーズ  
 MATE WITH : 55917, 55959 SERIES  
 (全極数/2) = 偶数の場合に適用。  
 APPLY FOR (CIRCUIT/2)=EVEN

△ 製品番号 MATERIAL NO. 51353-\*\*-0\*  
 極数 CIRCUIT SIZE 色 COLOR

△ ロック側の回路番号表示は、8~14極は無し、16~40極は有り。  
 LOCK SIDE CKT. NO. DIDN'T INDICATED 8~14CKT,  
 INDICATE 16~40CKT.

|                              |   |
|------------------------------|---|
| ナチュラル (白)<br>NATURAL (WHITE) | 0 |
| 黒<br>BLACK                   | 1 |
| 赤<br>RED                     | 2 |
| 黄<br>YELLOW                  | 3 |
| 青<br>BLUE                    | 4 |
| 桃<br>PINK                    | 5 |
| 緑<br>GREEN                   | 6 |
| 茶<br>BROWN                   | 7 |
| 橙<br>ORANGE                  | 8 |
| 紫<br>VIOLET                  | 9 |

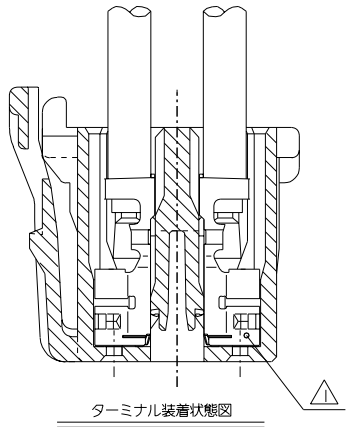
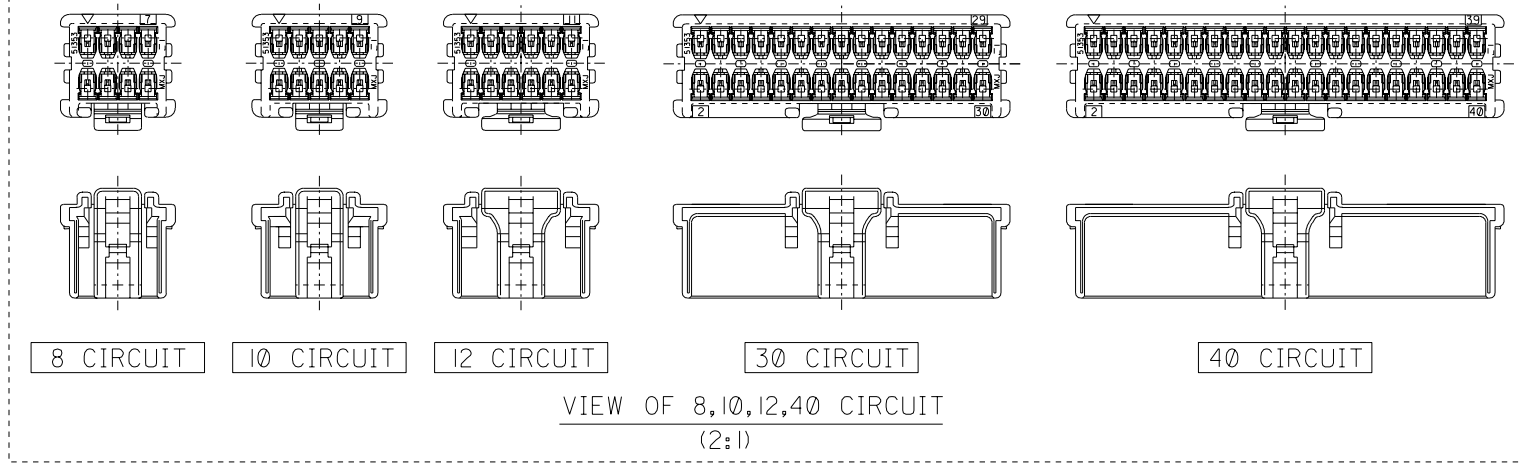


|     |      |      |    |      |              |      |
|-----|------|------|----|------|--------------|------|
| 7.8 | 36.5 | 41.6 | 38 | 43.4 | 51353-400*   | 40   |
|     | 34.5 | 39.6 | 36 | 41.4 | -380*        | 38   |
|     | 32.5 | 37.6 | 34 | 39.4 | -360*        | 36   |
|     | 30.5 | 35.6 | 32 | 37.4 | -340*        | 34   |
|     | 28.5 | 33.6 | 30 | 35.4 | -320*        | 32   |
|     | 26.5 | 31.6 | 28 | 33.4 | -300*        | 30   |
|     | 24.5 | 29.6 | 26 | 31.4 | -280*        | 28   |
|     | 22.5 | 27.6 | 24 | 29.4 | -260*        | 26   |
|     | 20.5 | 25.6 | 22 | 27.4 | -240*        | 24   |
|     | 18.5 | 23.6 | 20 | 25.4 | -220*        | 22   |
|     | 16.5 | 21.6 | 18 | 23.4 | -200*        | 20   |
|     | 14.5 | 19.6 | 16 | 21.4 | -180*        | 18   |
|     | 12.5 | 17.6 | 14 | 19.4 | -160*        | 16   |
|     | 10.5 | 15.6 | 12 | 17.4 | -140*        | 14   |
| 7.8 | 8.5  | 13.6 | 10 | 15.4 | -120*        | 12   |
| 4.7 | 6.5  | 11.6 | 8  | 13.4 | -100*        | 10   |
| 4.7 | 4.5  | 9.6  | 6  | 11.4 | 51353-080*   | 8    |
| E   | D    | C    | B  | A    | MATERIAL NO. | CKT. |

|   |   |                    |                  |   |   |                           |   |  |  |  |  |                       |
|---|---|--------------------|------------------|---|---|---------------------------|---|--|--|--|--|-----------------------|
| EC NO.<br>DRWN:<br>CHK:<br>APPR:  | REVISED   | MATERIAL<br>材料     | 66NYLON, UL94V-0 | GENERAL TOLERANCES:<br>(UNLESS SPECIFIED)<br>一般公差 | SCALE   | DESIGN UNITS              | MODEL NO.                                   | DIMENSIONS:  |  | SHT  | REV  |                       |
|   | EC NO. J2003-0719<br>DRWN:N.ITO '02/10/22<br>CHK: K.ASAKAWA<br>APPR:T.YAMAGUCHI |                    |                  |   | 10 UNDER<br>未滿  | ±0.2                      | DRAWN BY & DATE<br>N.ITO '01/12/17          | THIRD ANGLE<br>PROJECTION                          | <input type="checkbox"/> mm<br><input type="checkbox"/> INCH | <input type="checkbox"/> mm<br><input type="checkbox"/> INCH | <input type="checkbox"/> mm<br><input type="checkbox"/> INCH | REVISE ON<br>CAD ONLY |
|   | REVISED   |                    |                  |   | 10 OVER 30 UNDER<br>未滿  | ±0.25                     | CHECKED BY & DATE<br>K.ASAKAWA '02/10/22    | TITLE:<br>2.0mm W+-B DUAL CONN DIP<br>RCPT HOUSING |  |  |  |                       |
|   | EC NO. J2003-0066<br>DRWN:N.ITO '02/07/08<br>CHK: K.ASAKAWA<br>APPR:T.YAMAGUCHI |                    |                  |   | 30 OVER<br>以上   | ±0.3                      | APPROVED BY & DATE<br>T.YAMAGUCHI '02/10/22 | MOLEX MOLEX INCORPORATED                           |  |  |  |                       |
| REVISED   | WIRE RANGE<br>適用線径範囲  | INS. RANGE<br>被覆外径 | ANGLE 角度         | ±3°   | CAD FILENAME<br>51353002.S01  | MATERIAL NO.<br>SEE CHART | DRAWING NO.<br>SD-51353-002                 | SHEET NO.<br>1 OF 2                                |  |  |  |                       |
| EC NO. J2002-2307<br>DRWN:N.ITO '02/03/18<br>CHK: K.ASAKAWA<br>APPR:T.YAMAGUCHI | RELEASED  |                    |                  |   | THIS DRAWING CONTAINS INFORMATION THAT IS PROPRIETARY TO MOLEX<br>INCORPORATED AND SHOULD NOT BE USED WITHOUT WRITTEN PERMISSION. |                           |   |  |  |  |  |                       |
| EC NO. J2002-1196<br>DRWN:N.ITO '01/12/17<br>CHK: K.ASAKAWA<br>APPR:T.YAMAGUCHI | 0   |                    |                  |   | SIZE<br>B   |                           |   |  |  |  |  |                       |

DWG. NO. SD-51353-002

8 7 6 5 4 3 2 1



DO NOT SCALE DRAWING

|                                  |  |  |  |   |
|----------------------------------|--|--|--|---|
| EC NO.<br>DRWN:<br>CHK:<br>APPR: | REVISED<br>EC NO. J2003-0719<br>DRWN:N.ITO '02/09/12<br>CHK: K.ASAKAWA<br>APPR:T.YAMAGUCHI | REVISED<br>EC NO. J2003-0066<br>DRWN:N.ITO '02/07/08<br>CHK: K.ASAKAWA<br>APPR:T.YAMAGUCHI | REVISED<br>EC NO. J2002-2307<br>DRWN:N.ITO '02/03/18<br>CHK: K.ASAKAWA<br>APPR:T.YAMAGUCHI | RELEASED<br>EC NO. J2002-1196<br>DRWN:N.ITO '01/12/17<br>CHK: K.ASAKAWA<br>APPR:T.YAMAGUCHI |
| EC NO.                           | C  | B  | A  | 0   |

|                      |                  |
|----------------------|------------------|
| MATERIAL<br>材料       | SEE CHART 1 OF 2 |
| FINISH<br>仕上げ        | //               |
| WIRE RANGE<br>適用線径範囲 | //               |
| INS. RANGE<br>被覆外径   | //               |

|   |                           |       |
|---|---------------------------|-------|
| GENERAL TOLERANCES:<br>(UNLESS SPECIFIED)<br>一般公差 | 10 UNDER<br>未満            | ±0.2  |
|   | 10 OVER 30 UNDER<br>以上 未満 | ±0.25 |
|   | 30 OVER<br>以上             | ±0.3  |
| ANGLE<br>角度                                       |                           | ±3°   |

|  |                             |   |                             |                     |              |                      |
|--|-----------------------------|---|-----------------------------|---------------------|--------------|----------------------|
| 51353-●●0●   |                             | MODEL NO.   | DIMENSIONS:                 |                     | SHT          | REV                  |
| SCALE<br>//  | DESIGN UNITS<br>☒ mm ☐ INCH | THIRD ANGLE<br>PROJECTION                           | ☐ mm<br>INCH                | ☐ mm<br>mm          | ☒ mm<br>ONLY | REVISION<br>CAD ONLY |
| DRAWN BY & DATE<br>N.ITO '01/12/17   |                             | TITLE:<br>2.0mm W-+-B DUAL CONN DIP<br>RCPT HOUSING |                             |                     |              |                      |
| CHECKED BY & DATE<br>K.ASAKAWA '02/09/12   |                             | APPROVED BY & DATE<br>T.YAMAGUCHI '02/09/12         |                             |                     |              |                      |
| CAD FILENAME<br>51353002.S02   |                             | MATERIAL NO.<br>SEE CHART                           | DRAWING NO.<br>SD-51353-002 | SHEET NO.<br>2 OF 2 |              |                      |
| THIS DRAWING CONTAINS INFORMATION THAT IS PROPRIETARY TO MOLEX INCORPORATED AND SHOULD NOT BE USED WITHOUT WRITTEN PERMISSION. |                             |   |                             |                     |              |                      |
| SIZE<br>B  |                             |   |                             |                     |              |                      |

8 7 6 5 4 3 2 1 EN-02J(097) MXJ-54