

**PLEASE CHECK WWW.MOLEX.COM FOR LATEST PART INFORMATION**

**Part Number:** **0513361710**  
**Status:** **Active**  
**Description:** 1.25mm (.049") Pitch Mini Mi II™ System Wire-to-Board IDT Housing, Single Row, 17 Circuits

**Documents:**

[3D Model](#) [Product Specification PS-51336-010 \(PDF\)](#)  
[Drawing \(PDF\)](#) [RoHS Certificate of Compliance \(PDF\)](#)

**General**

Product Family IDT and Solder Connectors  
 Series [51336](#)  
 Crimp Quality Equipment Yes  
 Product Name Mini Mi II™

**Physical**

Circuits (Loaded) 17  
 Color - Resin Natural  
 Durability (mating cycles max) 30  
 Gender Female  
 Glow-Wire Compliant No  
 Lock to Mating Part Yes  
 Material - Metal Phosphor Bronze  
 Material - Plating Mating Tin  
 Material - Plating Termination Tin  
 Material - Resin Polyester  
 Number of Rows 1  
 Packaging Type Bag  
 Panel Mount No  
 Pitch - Mating Interface (in) 0.049 In  
 Pitch - Mating Interface (mm) 1.25 mm  
 Plating min: Mating (µin) 36  
 Plating min: Mating (µm) 0.90  
 Plating min: Termination (µin) 36  
 Plating min: Termination (µm) 0.90  
 Polarized to Mating Part Yes  
 Stackable No  
 Temperature Range - Operating -40°C to +105°C  
 Termination Interface: Style IDT or Pierce  
 Wire Insulation Diameter 0.80-0.90mm (.031-.035")  
 Wire Size AWG 26, 28

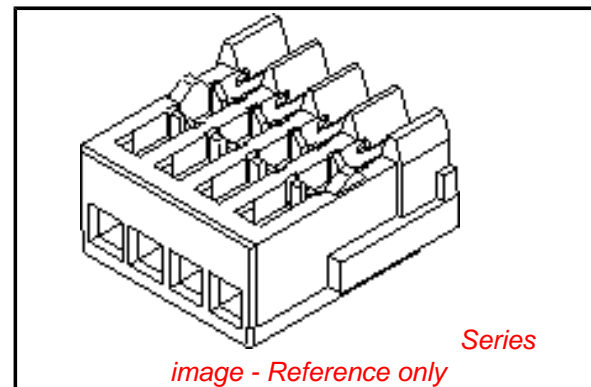
**Electrical**

Current - Maximum per Contact 1.5A  
 Voltage - Maximum 100V

**Material Info**

**Reference - Drawing Numbers**

Product Specification PS-51336-010, RPS-51336-004, RPS-51336-005,  
 RPS-51336-006, RPS-51336-009  
 Sales Drawing SD-51336-001



**EU RoHS**

**ELV and RoHS  
 Compliant**  
**REACH SVHC  
 Contains SVHC: No**  
**Halogen-Free  
 Status  
 Not Reviewed**

**China RoHS**



**Need more information on product  
 environmental compliance?**

Email [productcompliance@molex.com](mailto:productcompliance@molex.com)  
 For a multiple part number RoHS Certificate of  
 Compliance, [click here](#)

Please visit the [Contact Us](#) section for any  
 non-product compliance questions.

**Search Parts in this Series**

[51336Series](#)

**Mates With**

[55447](#) Vertical Header, [55454](#) Right Angle  
 Header

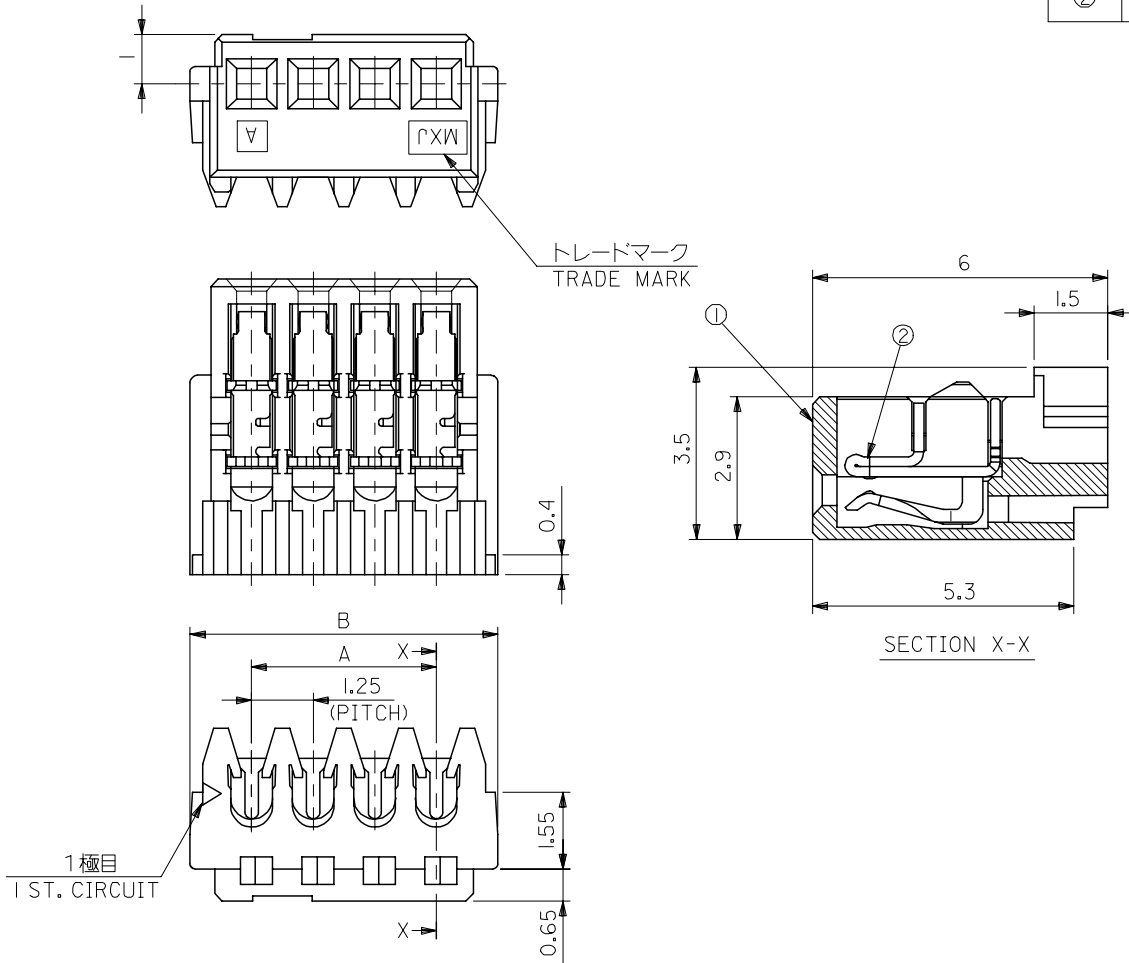
番号 NO.	名称 NAME	原料 MATERIAL	数量 QTY	仕上げ FINISH
①	ハウジング HOUSING	PBT PBT	1	ガラス30%, UL94V-0 G.F.30%
②	ターミナル TERMINAL	りん青銅 (+0.2) PHOSPHOR BRONZE(+0.2)	N	全体錫メッキ PRE-TINNED

注) NOTES

1. 原料および仕上げ: 表参照  
MATERIAL AND FINISH : SEE CHART

△製品番号  
MATERIAL NO.  
51336-\*\*\*

極数 CIRCUIT SIZE(O2 ~ 20)  
色 COLOR 10: 白色 WHITE



26.25	23.75	20	51336-201*	51336-***
25	22.5	19	51336-191*	
23.75	21.25	18	51336-181*	
22.5	20	17	51336-171*	
21.25	18.75	16	51336-161*	
20	17.5	15	51336-151*	
18.75	16.25	14	51336-141*	
17.5	15	13	51336-131*	
16.25	13.75	12	51336-121*	
15	12.5	11	51336-111*	
13.75	11.25	10	51336-101*	
12.5	10	9	51336-091*	
11.25	8.75	8	51336-081*	
10	7.5	7	51336-071*	
8.75	6.25	6	51336-061*	
7.5	5	5	51336-051*	
6.25	3.75	4	51336-041*	
5	2.5	3	51336-031*	
3.75	1.25	2	51336-021*	
B	A	極数 CIRCUIT SIZE	△製品番号 MATERIAL NO.	MODEL NO.

材料 MATERIAL	SEE CHART
仕上げ FINISH	SEE CHART
適用電線範囲 WIRE RANGE	AWG #26, #28
被覆外径 INS. RANGE	φ0.8 - φ0.9

REV	DESCRIPTION
0	RELEASED EC NO: J2006-1346 DRW: M.NABE 2005/11/25 CHK: K.TOYODA 2005/11/28 APP: N.UKITA 2005/11/30

GENERAL TOLERANCES (UNLESS SPECIFIED)	
10 UNDER	±0.2
10 OVER 30 UNDER	±0.25
30 OVER	±0.3
ANGULAR	±3 °
DRAFT WHERE APPLICABLE MUST REMAIN WITHIN DIMENSIONS	

DIMENSION STYLE	
MM ONLY	
DRAWN BY	DATE
M. NABE I	'05/10/24
CHECKED BY	DATE
K. TOYODA	'05/10/24
APPROVED BY	DATE
N. UKITA	'05/10/24
MATERIAL NO.	
SEE CHART	
SIZE	A3

SCALE	DESIGN UNITS	THIRD ANGLE PROJECTION
10:1	METRIC	☉ □
TITLE		
MINI M12 REC. ASSY (SN)		
MOLEX INCORPORATED		
DOCUMENT NO.	SHEET NO.	
SD-51336-001	1 OF 1	
THIS DRAWING CONTAINS INFORMATION THAT IS PROPRIETARY TO MOLEX INCORPORATED AND SHOULD NOT BE USED WITHOUT WRITTEN PERMISSION		