

PLEASE CHECK WWW.MOLEX.COM FOR LATEST PART INFORMATION

Part Number: [5010542670](#)
Status: **Active**
Description: 0.50mm (.020") Pitch Cradlecon™ I/O Plug, SMT, Right Angle, SMT Shell Tabs, 26 Circuits

Documents:

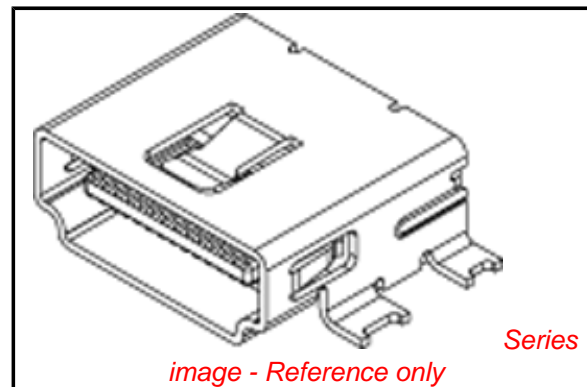
[3D Model](#) [Product Specification PS-54944-027 \(PDF\)](#)
[Drawing \(PDF\)](#) [RoHS Certificate of Compliance \(PDF\)](#)

General

Product Family	I/O Connectors
Series	501054
Application	Wire-to-Board
Component Type	Plug
Product Name	CradleCon™
Type	N/A
Physical	
Boot Color	N/A
Circuits (Loaded)	26
Circuits (maximum)	26
Color - Resin	Black
Gender	Plug
Lock to Mating Part	Yes
Material - Metal	Brass
Material - Plating Mating	Gold
Material - Plating Termination	Tin
Material - Resin	High Temperature Thermoplastic
Number of Rows	2
Orientation	Right Angle
PCB Locator	No
PCB Retention	Yes
PCB Thickness Recommended (in)	0.031 In, 0.040 In
PCB Thickness Recommended (mm)	0.80 mm, 1.00 mm
Packaging Type	Embossed Tape on Reel
Panel Mount	No
Pitch - Mating Interface (in)	0.020 In
Pitch - Mating Interface (mm)	0.50 mm
Pitch - Term. Interface (in)	0.020 In
Pitch - Term. Interface (mm)	0.50 mm
Plating min: Mating (µin)	8
Plating min: Mating (µm)	0.2
Plating min: Termination (µin)	80
Plating min: Termination (µm)	2
Polarized to Mating Part	Yes
Polarized to PCB	Yes
Ports	1
Surface Mount Compatible (SMC)	Yes
Temperature Range - Operating	-20°C to +60°C
Termination Interface: Style	Surface Mount
Waterproof / Dustproof	No

Electrical

Current - Maximum per Contact	0.5A
Shield Type	Full Shield
Shielded	Yes



EU RoHS

**ELV and RoHS
Compliant**
REACH SVHC
 Not Reviewed
**Halogen-Free
Status**
 Not Reviewed

China RoHS



**Need more information on product
environmental compliance?**

Email productcompliance@molex.com
 For a multiple part number RoHS Certificate of
 Compliance, [click here](#)

Please visit the [Contact Us](#) section for any
 non-product compliance questions.

Search Parts in this Series

501054Series

Mates With

500825-2670 , 54944-2670

Voltage - Maximum

30V AC (RMS)/DC

Material Info

Reference - Drawing Numbers

Product Specification

PS-54944-027

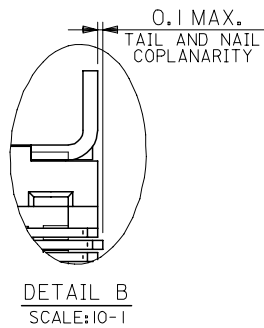
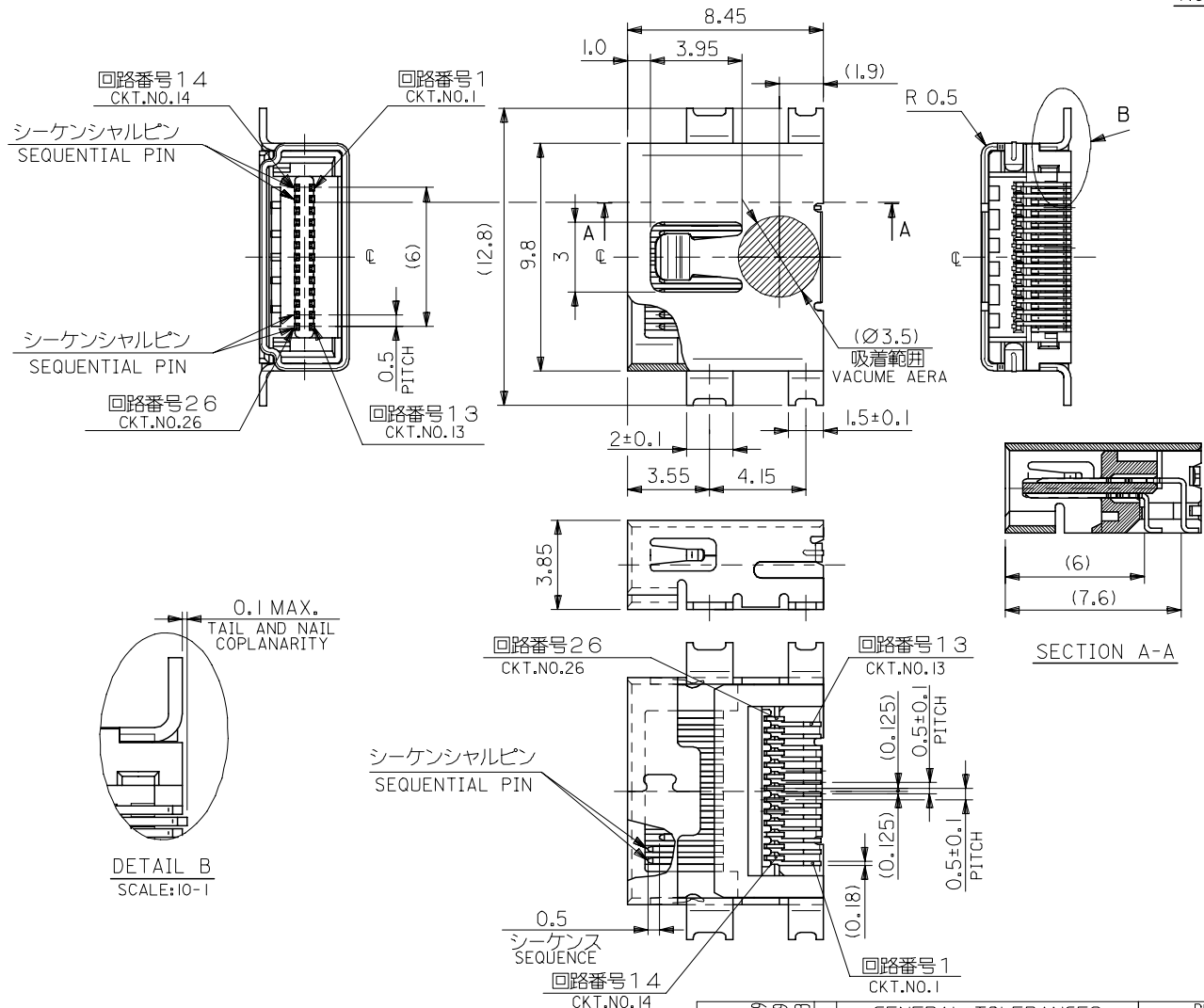
Sales Drawing

SD-501054-001, SD-501054-002

This document was generated on 04/19/2010

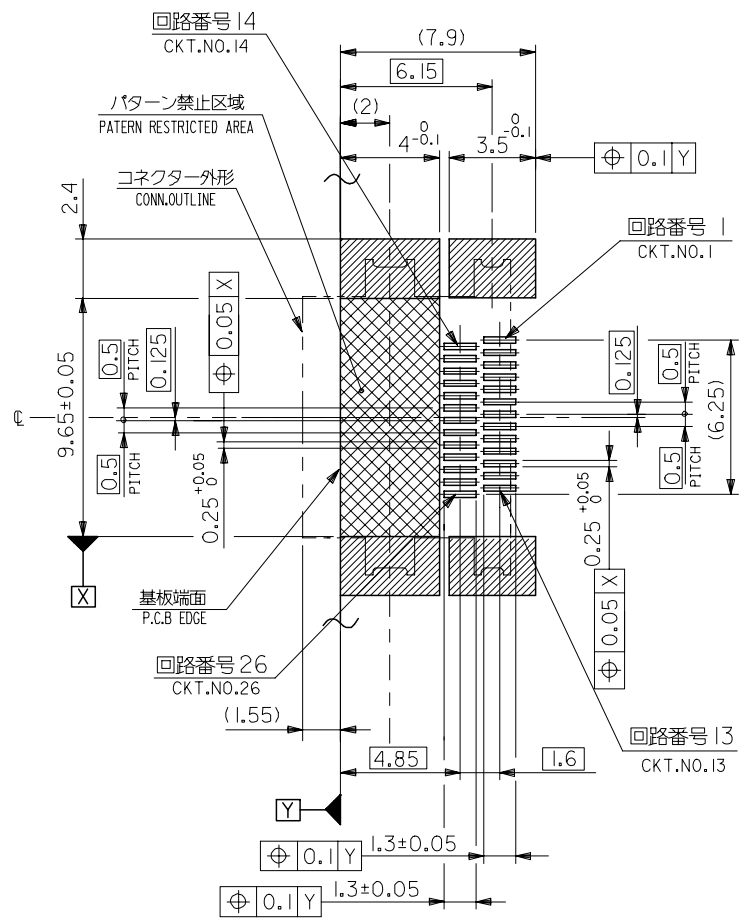
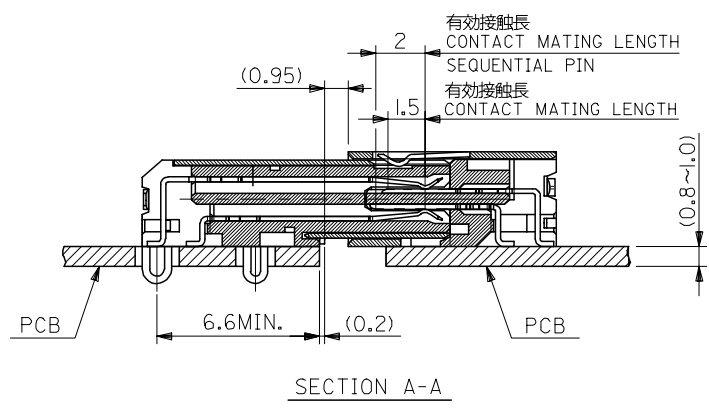
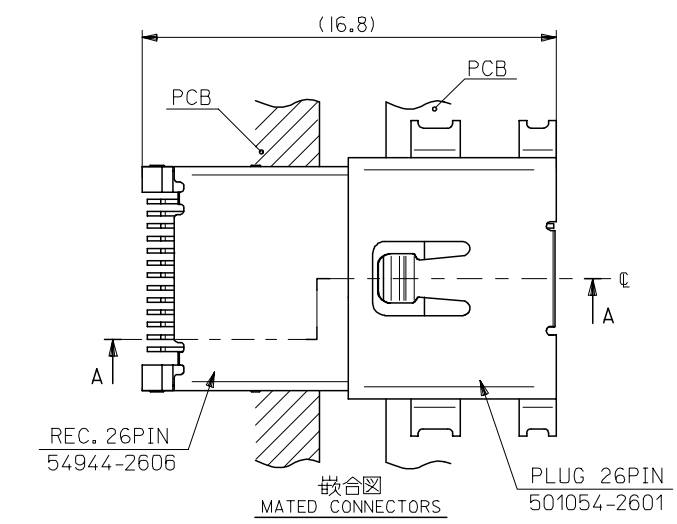
PLEASE CHECK WWW.MOLEX.COM FOR LATEST PART INFORMATION

- NOTE:**
- 適合リセ番号: 54944-2606
APPLICABLE REC. NO.: 54944-2606
 - 材質
MATERIAL
 - ハウジング: ガラス入り耐熱樹脂
94V-0, 黒色
HOUSING: G.F.HEAT RESISTANT PLASTIC
94V-0, BLACK COLOR
 - ターミナル: 銅合金
TERMINAL COPPER ALLOY
 - プラグ シールド: ステンレス鋼
PLUG SHIELD STAINLESS STEEL
 - メッキ仕様
PLATING
 - ターミナル
TERMINAL
 - 接点部 : 金メッキ 0.1umMIN.
CONTACT AREA GOLD
 - パラジウムニッケルメッキ 0.2umMIN.
PALLADIUM-NICKEL
 - 半田付け部 : 錫メッキ 1.0um MIN.
SOLDER TAIL AREA TIN
 - 下地メッキ : ニッケルメッキ 1.5 ~ 3um
UNDER-PLATING NICKEL
 - プラグ シールド
PLUG SHIELD
 - 金コート処理
GOLD COATING
 - 下地メッキ : ニッケルメッキ 1.0 ~ 2um
UNDER-PLATING NICKEL
 - コネクタの剥離強度: 29.4N (3kgf) MIN.
PEEL-OFF FORCE OF CONNECTOR.
(剥離方向は下図参照)
(PEELING DIRECTION AS SHOWN IN FOLLOWING FIG.)
剥離方向 PEEL-OFF DIRECTION
コネクタ CONNECTOR
基板 P.C.B.
 - 本製品は 55884-2601 のフリー品である。
THIS PRODUCT IS LEAD FREE OF 55884-2601.



501054-2601 501054-**01
MATERIAL NO. MODEL NO.

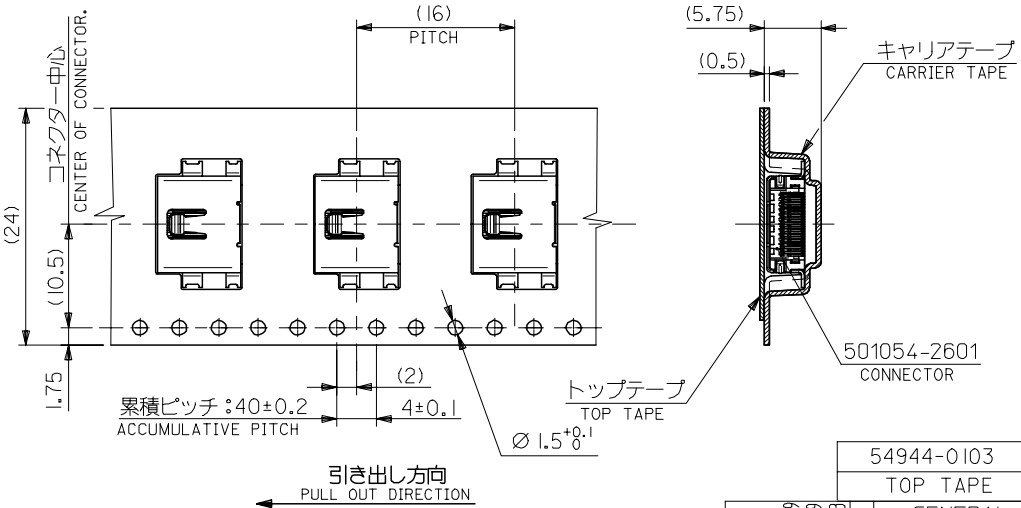
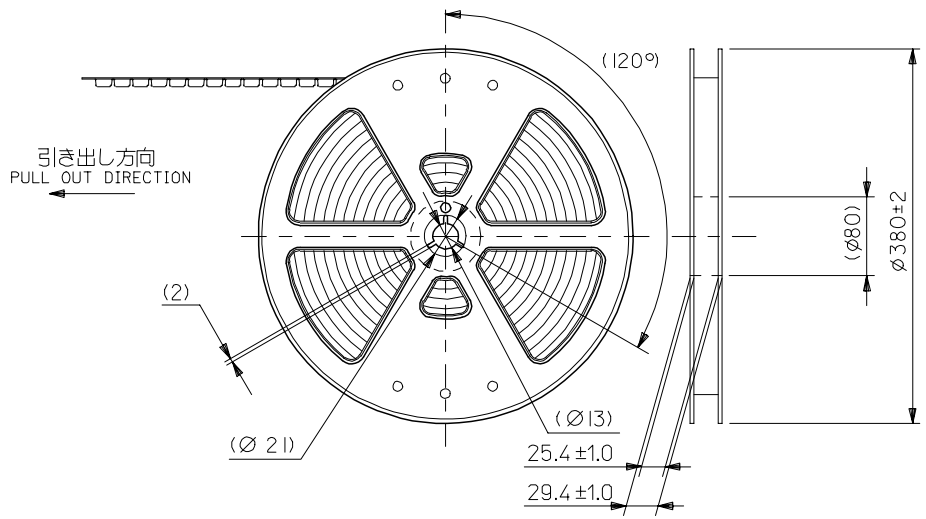
RELEASED EC NO: J2005-0066 DRAWN: MNABE1 2004/07/09 CHKD: KTOJO 2004/07/09 APPR: NUKITA 2004/07/13 REV: 0	GENERAL TOLERANCES (UNLESS SPECIFIED)		DIMENSION STYLE MM ONLY		SCALE 5:1	DESIGN UNITS METRIC	THIRD ANGLE PROJECTION
	10 UNDER	±0.2	DRAWN BY MNABE1	DATE '04/07/05	TITLE 0.5 I/O CONN PLUG HS'G ASSY 26CKT -LEAD FREE-		
	10 OVER 30 UNDER	±0.25	CHECKED BY KTOJO	DATE '04/07/05			
	30 OVER	±0.3	APPROVED BY NUKITA	DATE '04/07/05	MOLEX INCORPORATED		
	ANGULAR	±3 °	MATERIAL NO.	DOCUMENT NO. SD-501054-001			
DRAFT WHERE APPLICABLE MUST REMAIN WITHIN DIMENSIONS		SIZE A3		THIS DRAWING CONTAINS INFORMATION THAT IS PROPRIETARY TO MOLEX INCORPORATED AND SHOULD NOT BE USED WITHOUT WRITTEN PERMISSION			



参考基板推奨寸法 (部品実装側)
RECOMMENDED P.C.B LAYOUT (REF.) (MOUNTING SIDE)

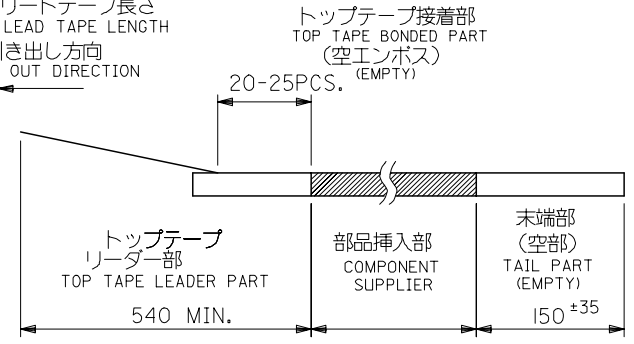
RELEASED EC NO: J2005-0066 DRAWN: MNABE 2004/07/09 CHKD: KTOJO 2004/07/09 APPR: NUKITA 2004/07/13 REV: 0	GENERAL TOLERANCES (UNLESS SPECIFIED)		DIMENSION STYLE MM ONLY		SCALE 5:1	DESIGN UNITS METRIC	THIRD ANGLE PROJECTION	
	10 UNDER	±0.2	DRAWN BY MNABE I	DATE '04/07/05	TITLE 0.5 I/O CONN PLUG HS'G ASSY 26CKT -LEAD FREE-			
	10 OVER 30 UNDER	±0.25	CHECKED BY KTOJO	DATE '04/07/05				
	30 OVER	±0.3	APPROVED BY NUKITA	DATE '04/07/05	MOLEX INCORPORATED			
	ANGULAR	±3 °	MATERIAL NO.	DOCUMENT NO. SD-501054-001				
DRAFT WHERE APPLICABLE MUST REMAIN WITHIN DIMENSIONS		SIZE A3		THIS DRAWING CONTAINS INFORMATION THAT IS PROPRIETARY TO MOLEX INCORPORATED AND SHOULD NOT BE USED WITHOUT WRITTEN PERMISSION				

10 9 8 7 6 5 4 3 2 1



注記
NOTES

- 製品番号501054-2601の寸法詳細は SD-501054-001 参照
IN THE PACKAGE PART NO.501054-2601 DETAILED DIMENSION, SEE SD-501054-001.
- 梱包数量： 800 個/リール
NUMBER OF CONNECTORS: 800 PCS/REEL
- リードテープ長さ
LEAD TAPE LENGTH
引き出し方向
PULL OUT DIRECTION
トップテープ接着部
TOP TAPE BONDED PART
(空エンボス)
(EMPTY)
20-25PCS.
- トップテープの剥離強度： 0.1~1.3N (10~130gf)
(剥離方向は下図参照) キャリアテープ幅： 2.4mm
PEEL-OFF FORCE OF TOP TAPE: 0.1~1.3N (10~130gf)
(PEELING DIRECTION AS SHOWN IN FOLLOWING FIG.)
CARRIER TAPE WIDTH
尚、本規格値は、出荷時に適用。
THIS REQUIREMENTS SHOULD BE APPLIED AT SHIPMENT
(但し、輸送時に剥離が発生しない事。)
(PEEL OFF SHOULD NOT BE ALLOWED, DURING TRANSPORTATION)
剥離方向
PEEL OFF DIRECTION
10°
引き出し方向
PULL OUT DIRECTION
- 材料
MATERIAL
キャリアテープ：ポリプロピレン
CARRIER TAPE: POLYPROPYLENE
トップテープ：ポリエステル、ポリエチレン
TOP TAPE: POLYESTER, POLYETHYLENE
リール：ポリスチレン
REEL: POLYSTYRENE
- 本製品は 55884-2690 の鉛フリー品である。
THIS PRODUCT IS LEAD FREE OF 55884-2690.



54944-0103	59499-7803	59405-1626	26	501054-2601	501054-2670
TOP TAPE	REEL	EMBOSSSED TAPE	CKT	CONNECTOR	MATERIAL NO.

RELEASED EC NO: J2005-0066 DRAWN: MNABE 2004/07/09 CHKD: KTOJO 2004/07/09 APPR: NUKITA 2004/07/13 REV: 0	GENERAL TOLERANCES (UNLESS SPECIFIED)		DIMENSION STYLE MM ONLY		SCALE ---	DESIGN UNITS METRIC	THIRD ANGLE PROJECTION
	10 UNDER	±0.2	DRAWN BY MNABE1	DATE '04/07/05	TITLE EMBOSSSED TAPE PACKAGE FOR 501054-2601 -LEAD FREE- MOLEX INCORPORATED		
	10 OVER 30 UNDER	±0.25	CHECKED BY KTOJO	DATE '04/07/05			
	30 OVER	±0.3	APPROVED BY NUKITA	DATE '04/07/05			
	ANGULAR ±3 °		MATERIAL NO. SEE CHART		DOCUMENT NO. SD-501054-002	SHEET NO. 1 OF 1	
DRAFT WHERE APPLICABLE MUST REMAIN WITHIN DIMENSIONS		THIS DRAWING CONTAINS INFORMATION THAT IS PROPRIETARY TO MOLEX INCORPORATED AND SHOULD NOT BE USED WITHOUT WRITTEN PERMISSION					