

**PLEASE CHECK WWW.MOLEX.COM FOR LATEST PART INFORMATION**

**Part Number:** [0879331007](#)  
**Status:** **Active**  
**Description:** 1.27mm (.050") Pitch Wire-to-Board Header, Dual Row, SMT, Vertical, 10 Circuits, 0.05µm (2µ") Gold (Au) Plating, Mating Pin Length 1.65mm (0.065"), with Cap, without Peg, Tube Packaging, Lead-free

**Documents:**

[3D Model](#) [Product Specification PS-87933-001 \(PDF\)](#)  
[Drawing \(PDF\)](#) [RoHS Certificate of Compliance \(PDF\)](#)

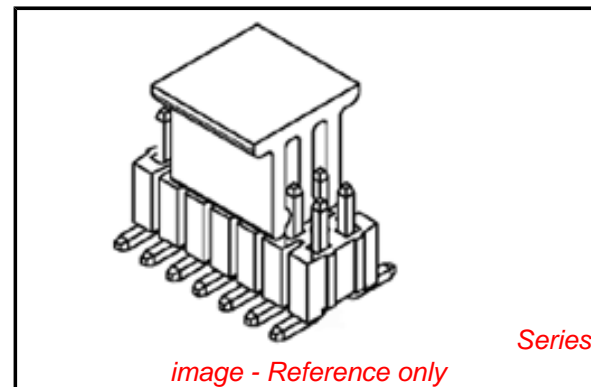
**General**

Product Family	PCB Headers
Series	<a href="#">87933</a>
Application	Wire-to-Board
Comments	With Cap
Product Name	N/A

**Physical**

Breakaway	Yes
Circuits (Loaded)	10
Circuits (maximum)	10
Color - Resin	Black
Durability (mating cycles max)	100
First Mate / Last Break	No
Glow-Wire Compliant	No
Guide to Mating Part	No
Keying to Mating Part	None
Lock to Mating Part	No
Mated Height (in)	0.065 In
Mated Height (mm)	1.65 mm
Material - Metal	Copper Alloy
Material - Plating Mating	Gold
Material - Plating Termination	Nickel
Material - Resin	High Temperature Thermoplastic
Number of Rows	2
Orientation	Vertical
PCB Locator	No
PCB Retention	None
Packaging Type	Tube
Pitch - Mating Interface (in)	0.050 In
Pitch - Mating Interface (mm)	1.27 mm
Pitch - Term. Interface (in)	0.050 In
Pitch - Term. Interface (mm)	1.27 mm
Plating min: Mating (µin)	2
Plating min: Mating (µm)	0.05
Plating min: Termination (µin)	50
Plating min: Termination (µm)	1.27
Polarized to Mating Part	No
Polarized to PCB	No
Robotic Placement	Pick and Place Cap
Shrouded	No
Stackable	No
Temperature Range - Operating	-55°C to +105°C
Termination Interface: Style	Surface Mount

**Electrical**



*image - Reference only*

**EU RoHS**

**ELV and RoHS Compliant**  
**REACH SVHC**  
 Not Reviewed  
**Halogen-Free Status**  
 Not Reviewed

**China RoHS**



**Need more information on product environmental compliance?**

Email [productcompliance@molex.com](mailto:productcompliance@molex.com)  
 For a multiple part number RoHS Certificate of Compliance, [click here](#)

Please visit the [Contact Us](#) section for any non-product compliance questions.

**Search Parts in this Series**

[87933Series](#)

**Mates With**

[78120 Wire-to-Board Receptacles](#)

Current - Maximum per Contact	1.75A
Voltage - Maximum	125V

**Solder Process Data**

Duration at Max. Process Temperature (seconds)	14
Lead-free Process Capability	Wave Capable (TH only)
Max. Cycles at Max. Process Temperature	3
Process Temperature max. C	260

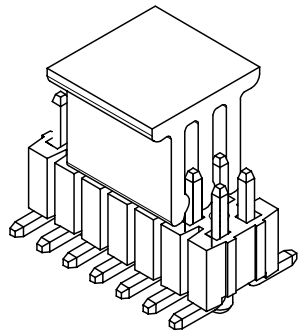
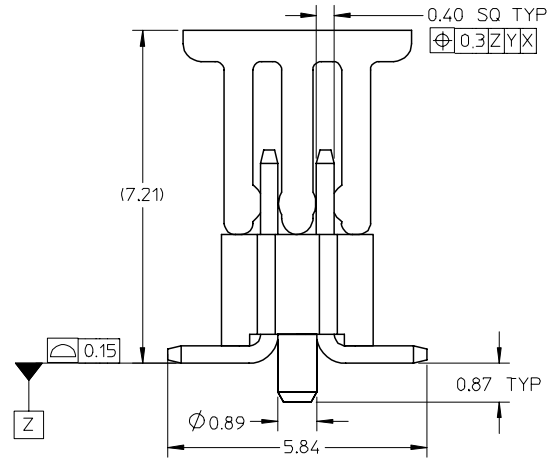
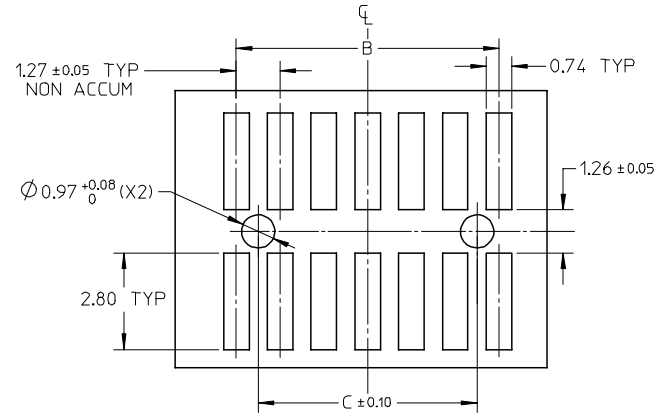
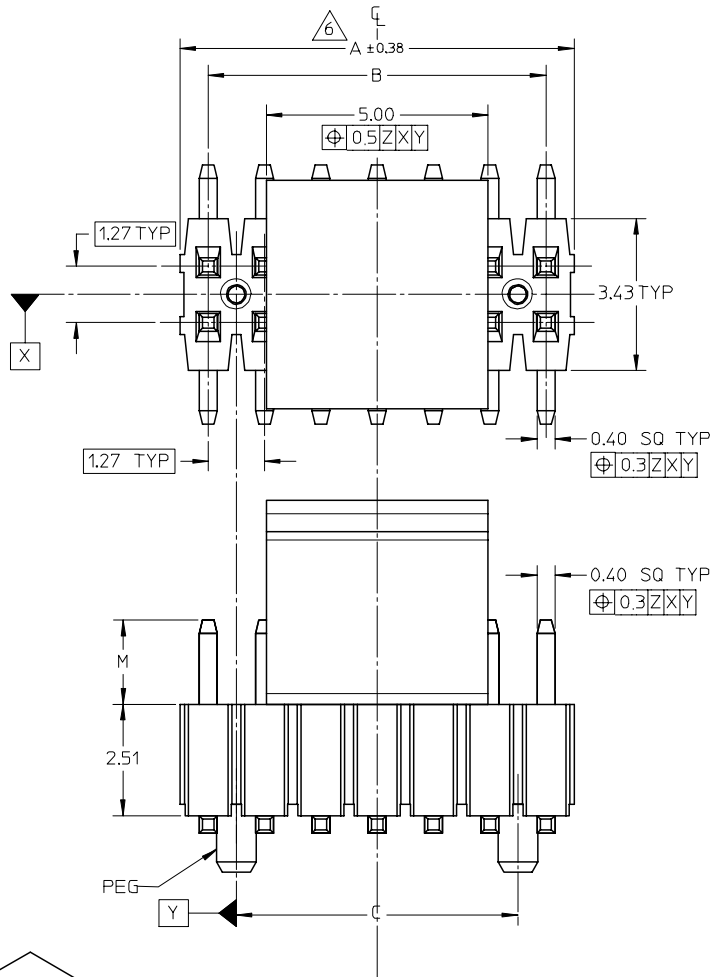
**Material Info****Reference - Drawing Numbers**

Product Specification	PS-87933-001
Sales Drawing	SD-87933-014

This document was generated on 03/29/2010

**PLEASE CHECK [WWW.MOLEX.COM](http://WWW.MOLEX.COM) FOR LATEST PART INFORMATION**

10 9 8 7 6 5 4 3 2 1



ADD. OPTION	2007/10/10
EC NO: S2008-0216	2007/10/11
DRWN: CWL/AM	2007/10/11
CHKD: KWLEE	2007/10/29
APPR: KWLEE	
REV	DESCRIPTION
A2	

QUALITY SYMBOLS	▽=0
	∇=0

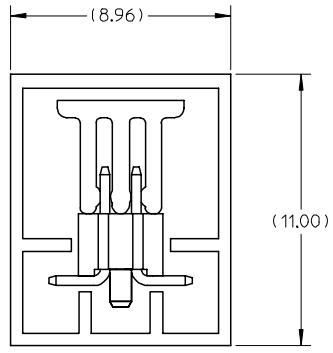
GENERAL TOLERANCES (UNLESS SPECIFIED)	
	mm INCH
4 PLACES	± --- ± ---
3 PLACES	± --- ± ---
2 PLACES	± 0.20 ± ---
1 PLACE	± --- ± ---
ANGULAR ± 3 °	
DRAFT WHERE APPLICABLE MUST REMAIN WITHIN DIMENSIONS	

DIMENSION STYLE	
MM ONLY	
DRAWN BY	DATE
LNG	2006/02/14
CHECKED BY	DATE
BOKOK	2006/03/27
APPROVED BY	DATE
PTL IM	2006/03/29
MATERIAL NO.	
SEE TABLE	
SIZE	A3

SCALE	DESIGN UNITS	THIRD ANGLE PROJECTION
NTS	METRIC	
1.27MM PITCH SMT HEADER WITH PEG AND CAP PACKED IN TUBE		
MOLEX INCORPORATED		
DOCUMENT NO.	SHEET NO.	
SD-87933-014	1 OF 5	

9 8 7 6 5 4 3 2 1

CKT. SIZE	DIMENSION		
	A	B	C
10	6.35	5.08	3.81
20	12.70	11.43	10.16
30	19.05	17.78	16.51
40	25.40	24.13	22.86
50	31.75	30.48	29.21
60	38.10	36.83	35.56
68	43.18	41.91	40.64
70	44.45	43.18	41.91
80	50.80	49.53	48.26
90	57.15	55.88	54.61
100	63.50	62.23	60.96



PART W/PEG & CAP  
PACKED IN TUBE

NOTE:

- MATERIAL: HOUSING: LCP GLASS FILLED,  
COLOR: BLACK  
TERMINAL: COPPER ALLOY
- PIN PUSHOUT FORCE: 0,4KG MIN. IN EITHER DIRECTION.
- PLATING FINISH:
  - 2 MINCH MIN. GOLD FLASH OVERALL,  
50 MINCH MIN. NICKEL UNDERPLATED
  - 100 MINCH MIN. TIN OVERALL,  
50 MINCH MIN. NICKEL UNDERPLATED
  - 30 MINCH MIN. GOLD PLATE IN SELECTED AREA AND  
80 MINCH MIN. TIN IN SELECTED AREA OVER,  
50 MINCH MIN. NICKEL UNDERPLATED
  - 15 MINCH MIN. GOLD PLATE IN SELECTED AREA AND  
80 MINCH MIN. TIN IN SELECTED AREA OVER,  
50 MINCH MIN. NICKEL UNDERPLATED
- THE ABOVE 14 CKT SHOWN IS FOR ILLUSTRATION ONLY.
- PARTS TO BE PACKED IN TUBE.
- POSITION OF CAP TO BE LOCATED AT THE CENTER OF DIMENSION (A) REGARDLESS OF CIRCUIT SIZE
- IRREGULAR CIRCUIT CUTOFF WITHIN BREAKAWAY SECTION IS PERMISSIBLE. CUTTING OR CHIPPING OF THE MAIN BODY IS NOT ACCEPTABLE.
- PACKAGING SPECIFICATION REFER TO  
TUBE : PK-89990-565

ADD. OPTION EC NO: S2008-0216 DRWN: CWLAM CHKD: KWLEE APPR: KWLEE	QUALITY SYMBOLS ▽=0 ∇=0	GENERAL TOLERANCES (UNLESS SPECIFIED)		DIMENSION STYLE MM ONLY		SCALE NTS	DESIGN UNITS METRIC	THIRD ANGLE PROJECTION		
			mm	INCH	DRAWN BY LNG	DATE 2006/02/14	TITLE 1.27MM PITCH SMT HEADER WITH PEG AND CAP PACKED IN TUBE			
		4 PLACES	± ---	± ---	CHECKED BY BOKOK	DATE 2006/03/27	APPROVED BY PTL IM			
		3 PLACES	± ---	± ---	DATE 2006/03/29	MOLEX INCORPORATED				
	2 PLACES	± 0.20	± ---	MATERIAL NO.		DOCUMENT NO.	SHEET NO.			
	1 PLACE	± ---	± ---	DRAFT WHERE APPLICABLE MUST REMAIN WITHIN DIMENSIONS		SEE TABLE	SD-87933-014	2 OF 5		
A2	REV	SIZE A3 THIS DRAWING CONTAINS INFORMATION THAT IS PROPRIETARY TO MOLEX INCORPORATED AND SHOULD NOT BE USED WITHOUT WRITTEN PERMISSION								

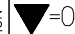
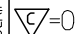
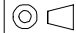
	10	9	8	7	6	5	4	3	2	1					
F	P/N WITH CAP PACKED IN TUBE	PEG	CKT SIZE	PLATING OPTIONS	DIM. M	P/N WITH CAP PACKED IN TUBE	PEG	CKT SIZE	PLATING OPTIONS	DIM. M	P/N WITH CAP PACKED IN TUBE	PEG	CKT SIZE	PLATING OPTIONS	DIM. M
		87933-1007	N	10	1	1.65	87933-2007	N	20	1	1.65	87933-3007	N	30	1
	87933-1008	N	10	2	1.65	87933-2008	N	20	2	1.65	87933-3008	N	30	2	1.65
	87933-1009	N	10	3	1.65	87933-2009	N	20	3	1.65	87933-3009	N	30	3	1.65
	87933-1010	N	10	4	1.65	87933-2010	N	20	4	1.65	87933-3010	N	30	4	1.65
E	87933-1011	N	10	1	1.91	87933-2011	N	20	1	1.91	87933-3011	N	30	1	1.91
	87933-1012	N	10	2	1.91	87933-2012	N	20	2	1.91	87933-3012	N	30	2	1.91
	87933-1013	N	10	3	1.91	87933-2013	N	20	3	1.91	87933-3013	N	30	3	1.91
	87933-1014	N	10	4	1.91	87933-2014	N	20	4	1.91	87933-3014	N	30	4	1.91
	87933-1015	N	10	1	3.05	87933-2015	N	20	1	3.05	87933-3015	N	30	1	3.05
D	87933-1016	N	10	2	3.05	87933-2016	N	20	2	3.05	87933-3016	N	30	2	3.05
	87933-1017	N	10	3	3.05	87933-2017	N	20	3	3.05	87933-3017	N	30	3	3.05
	87933-1018	N	10	4	3.05	87933-2018	N	20	4	3.05	87933-3018	N	30	4	3.05

C	P/N WITH CAP PACKED IN TUBE	PEG	CKT SIZE	PLATING OPTIONS	DIM. M
		87933-4007	N	40	1
	87933-4008	N	40	2	1.65
	87933-4009	N	40	3	1.65
	87933-4010	N	40	4	1.65
B	87933-4011	N	40	1	1.91
	87933-4012	N	40	2	1.91
	87933-4013	N	40	3	1.91
	87933-4014	N	40	4	1.91
A	87933-4015	N	40	1	3.05
	87933-4016	N	40	2	3.05
	87933-4017	N	40	3	3.05
	87933-4018	N	40	4	3.05

<b>ADD. OPTION</b> EC NO: S2008-0216 DRWN: CWLAM CHKD: KWLEE APPR: KWLEE	<b>QUALITY SYMBOLS</b> =0 =0	<b>GENERAL TOLERANCES (UNLESS SPECIFIED)</b>		<b>DIMENSION STYLE</b> MM ONLY		<b>SCALE</b> NTS	<b>DESIGN UNITS</b> METRIC	<b>THIRD ANGLE PROJECTION</b>	
				DRAWN BY DATE BOKOK 2006/02/14		<b>TITLE</b> 1.27MM PITCH SMT HEADER WITH PEG AND CAP PACKED IN TUBE			
				CHECKED BY DATE BOKOK 2006/03/27		<b>MATERIAL NO.</b> PTL IM 2006/03/29			
				APPROVED BY DATE PTL IM 2006/03/29		<b>MOLEX INCORPORATED</b>		<b>DOCUMENT NO.</b> SD-87933-014	
<b>A2</b>		<b>DRAFT WHERE APPLICABLE MUST REMAIN WITHIN DIMENSIONS</b>		<b>SEE TABLE</b>		<b>THIS DRAWING CONTAINS INFORMATION THAT IS PROPRIETARY TO MOLEX INCORPORATED AND SHOULD NOT BE USED WITHOUT WRITTEN PERMISSION</b>			

	10	9	8	7	6	5	4	3	2	1					
F	P/N WITH CAP PACKED IN TUBE	PEG	CKT SIZE	PLATING OPTIONS	DIM. M	P/N WITH CAP PACKED IN TUBE	PEG	CKT SIZE	PLATING OPTIONS	DIM. M	P/N WITH CAP PACKED IN TUBE	PEG	CKT SIZE	PLATING OPTIONS	DIM. M
		87933-5007	Y	50	1	1.65	87933-6007	N	60	1	1.65	87933-6807	N	68	1
	87933-5008	Y	50	2	1.65	87933-6008	N	60	2	1.65	87933-6808	N	68	2	1.65
	87933-5009	Y	50	3	1.65	87933-6009	N	60	3	1.65	87933-6809	N	68	3	1.65
	87933-5010	Y	50	4	1.65	87933-6010	N	60	4	1.65	87933-6810	N	68	4	1.65
E	87933-5011	Y	50	1	1.91	87933-6011	N	60	1	1.91	87933-6811	N	68	1	1.91
	87933-5012	Y	50	2	1.91	87933-6012	N	60	2	1.91	87933-6812	N	68	2	1.91
	87933-5013	Y	50	3	1.91	87933-6013	N	60	3	1.91	87933-6813	N	68	3	1.91
	87933-5014	Y	50	4	1.91	87933-6014	N	60	4	1.91	87933-6814	N	68	4	1.91
	87933-5015	Y	50	1	3.05	87933-6015	N	60	1	3.05	87933-6815	N	68	1	3.05
D	87933-5016	Y	50	2	3.05	87933-6016	N	60	2	3.05	87933-6816	N	68	2	3.05
	87933-5017	Y	50	3	3.05	87933-6017	N	60	3	3.05	87933-6817	N	68	3	3.05
	87933-5018	Y	50	4	3.05	87933-6018	N	60	4	3.05	87933-6818	N	68	4	3.05

C	P/N WITH CAP PACKED IN TUBE	PEG	CKT SIZE	PLATING OPTIONS	DIM. M
		87933-7007	N	70	1
	87933-7008	N	70	2	1.65
	87933-7009	N	70	3	1.65
	87933-7010	N	70	4	1.65
B	87933-7011	N	70	1	1.91
	87933-7012	N	70	2	1.91
	87933-7013	N	70	3	1.91
	87933-7014	N	70	4	1.91
A	87933-7015	N	70	1	3.05
	87933-7016	N	70	2	3.05
	87933-7017	N	70	3	3.05
	87933-7018	N	70	4	3.05

<b>ADD. OPTION</b> EC NO: S2008-0216 DRWN: CWLAM CHKD: KWLEE APPR: KWLEE	<b>QUALITY SYMBOLS</b>  = 0  = 0.20	<b>GENERAL TOLERANCES (UNLESS SPECIFIED)</b>		<b>DIMENSION STYLE</b> MM ONLY		<b>SCALE</b> NTS	<b>DESIGN UNITS</b> METRIC	 <b>THIRD ANGLE PROJECTION</b>	
				DRAWN BY DATE BOKOK 2006/02/14		<b>TITLE</b> 1.27MM PITCH SMT HEADER WITH PEG AND CAP PACKED IN TUBE			
				CHECKED BY DATE BOKOK 2006/03/27		<b>MOLEX INCORPORATED</b>			
				APPROVED BY DATE PTL IM 2006/03/29		MATERIAL NO.		DOCUMENT NO. SD-87933-014	
<b>A2</b>		<b>DRAFT WHERE APPLICABLE MUST REMAIN WITHIN DIMENSIONS</b>		<b>SEE TABLE</b>		<b>THIS DRAWING CONTAINS INFORMATION THAT IS PROPRIETARY TO MOLEX INCORPORATED AND SHOULD NOT BE USED WITHOUT WRITTEN PERMISSION</b>			

	10	9	8	7	6	5	4	3	2	1					
F	P/N WITH CAP PACKED IN TUBE	PEG	CKT SIZE	PLATING OPTIONS	DIM. M	P/N WITH CAP PACKED IN TUBE	PEG	CKT SIZE	PLATING OPTIONS	DIM. M	P/N WITH CAP PACKED IN TUBE	PEG	CKT SIZE	PLATING OPTIONS	DIM. M
		87933-8007	N	80	1	1.65	87933-9007	N	90	1	1.65	87933-1207	N	100	1
	87933-8008	N	80	2	1.65	87933-9008	N	90	2	1.65	87933-1208	N	100	2	1.65
	87933-8009	N	80	3	1.65	87933-9009	N	90	3	1.65	87933-1209	N	100	3	1.65
	87933-8010	N	80	4	1.65	87933-9010	N	90	4	1.65	87933-1211	N	100	4	1.65
E	87933-8011	N	80	1	1.91	87933-9011	N	90	1	1.91	87933-1211	N	100	1	1.91
	87933-8012	N	80	2	1.91	87933-9012	N	90	2	1.91	87933-1212	N	100	2	1.91
	87933-8013	N	80	3	1.91	87933-9013	N	90	3	1.91	87933-1213	N	100	3	1.91
	87933-8014	N	80	4	1.91	87933-9014	N	90	4	1.91	87933-1214	N	100	4	1.91
	87933-8015	N	80	1	3.05	87933-9015	N	90	1	3.05	87933-1215	N	100	1	3.05
D	87933-8016	N	80	2	3.05	87933-9016	N	90	2	3.05	87933-1216	N	100	2	3.05
	87933-8017	N	80	3	3.05	87933-9017	N	90	3	3.05	87933-1217	N	100	3	3.05
	87933-8018	N	80	4	3.05	87933-9018	N	90	4	3.05	87933-1218	N	100	4	3.05



A	ADD. OPTION EC NO: S2008-0216 DRWN: CWLAM CHKD: KWLEE APPR: KWLEE	2007/10/10 2007/10/11 2007/10/29	DESCRIPTION REV	QUALITY SYMBOLS	GENERAL TOLERANCES (UNLESS SPECIFIED)	DIMENSION STYLE		SCALE	DESIGN UNITS	THIRD ANGLE PROJECTION			
				▽=0 ∇=0		MM ONLY	DRAWN BY				DATE	TITLE	
						mm	LNJ				2006/02/14		1.27MM PITCH SMT HEADER WITH PEG AND CAP PACKED IN TUBE
						INCH	CHECKED BY				DATE		
		BOKOK	2006/03/27										
		APPROVED BY	DATE	MOLEX INCORPORATED									
		PTL IM	2006/03/29										
				ANGULAR ± 3 °	MATERIAL NO.	SEE TABLE		DOCUMENT NO.	SD-87933-014				
				DRAFT WHERE APPLICABLE MUST REMAIN WITHIN DIMENSIONS	SIZE	THIS DRAWING CONTAINS INFORMATION THAT IS PROPRIETARY TO MOLEX INCORPORATED AND SHOULD NOT BE USED WITHOUT WRITTEN PERMISSION		SHEET NO.		5 OF 5			