

**PLEASE CHECK WWW.MOLEX.COM FOR LATEST PART INFORMATION**

**Part Number:** [0878343421](#)  
**Status:** **Active**  
**Overview:** [cgrid\\_sl\\_products](#)  
**Description:** 2.54mm (.100") Pitch C-Grid® Header, Dual Row, Low Profile, Vertical, Shrouded, PCB Locators, with End Windows, 0.13µm (5µ) Gold (Au) Flash Plating, Nylon Housing, 34 Circuits, Lead-free

**Documents:**

[3D Model](#) [Product Specification PS-70246-100 \(PDF\)](#)  
[Drawing \(PDF\)](#) [RoHS Certificate of Compliance \(PDF\)](#)

**Agency Certification**

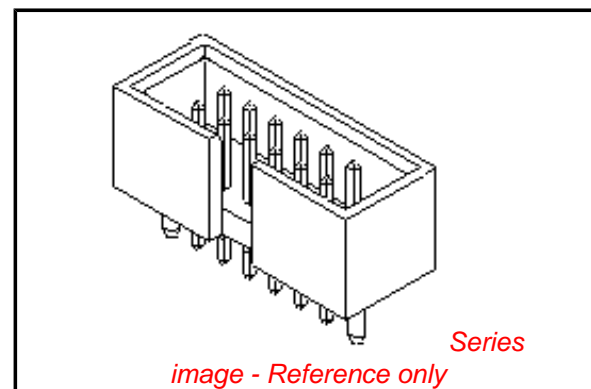
UL E29179

**General**

Product Family PCB Headers  
 Series [87834](#)  
 Application Wire-to-Board  
 Overview [cgrid\\_sl\\_products](#)  
 Product Name C-Grid®

**Physical**

Breakaway No  
 Circuits (Loaded) 34  
 Circuits (maximum) 34  
 Color - Resin Natural  
 First Mate / Last Break No  
 Flammability 94V-0  
 Glow-Wire Compliant No  
 Guide to Mating Part No  
 Keying to Mating Part None  
 Lock to Mating Part Yes  
 Material - Plating Mating Gold  
 Material - Plating Termination Tin  
 Material - Resin Nylon  
 Number of Rows 2  
 Orientation Vertical  
 PC Tail Length (in) 0.135 In  
 PC Tail Length (mm) 3.43 mm  
 PCB Locator Yes  
 PCB Retention Yes  
 Packaging Type Tray  
 Pitch - Mating Interface (in) 0.100 In  
 Pitch - Mating Interface (mm) 2.54 mm  
 Pitch - Term. Interface (in) 0.100 In  
 Pitch - Term. Interface (mm) 2.54 mm  
 Plating min: Mating (µin) 5.2  
 Plating min: Mating (µm) 0.13  
 Plating min: Termination (µin) 75.2  
 Plating min: Termination (µm) 1.88  
 Polarized to Mating Part Center Slot  
 Polarized to PCB Yes  
 Shrouded Fully  
 Stackable No  
 Temperature Range - Operating -55°C to +120°C  
 Termination Interface: Style Through Hole



**EU RoHS**

**ELV and RoHS Compliant**  
**REACH SVHC Contains SVHC: No**  
**Halogen-Free**  
**Status Not Reviewed**

**China RoHS**



**Need more information on product environmental compliance?**

Email [productcompliance@molex.com](mailto:productcompliance@molex.com)  
 For a multiple part number RoHS Certificate of Compliance, [click here](#)

Please visit the [Contact Us](#) section for any non-product compliance questions.

**Search Parts in this Series**

[87834Series](#)

**Mates With**

.050" pitch ribbon cable connectors

**Electrical**

Current - Maximum per Contact	2.5A
Voltage - Maximum	250V DC

**Solder Process Data**

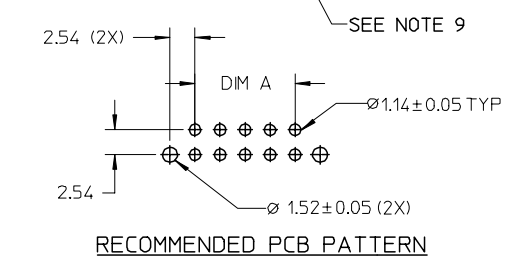
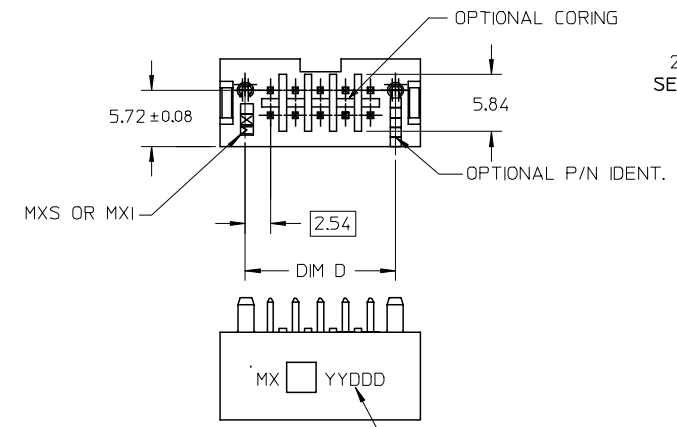
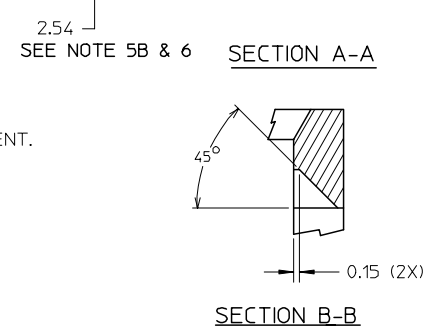
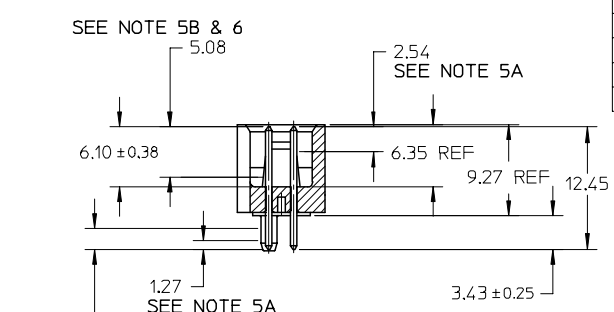
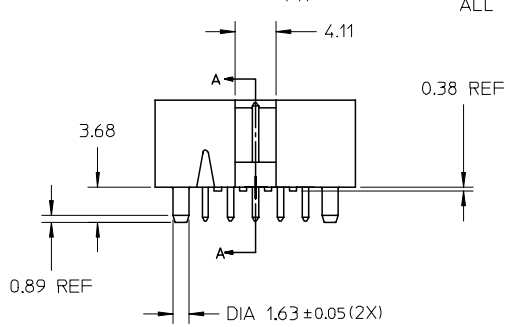
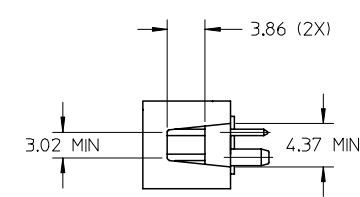
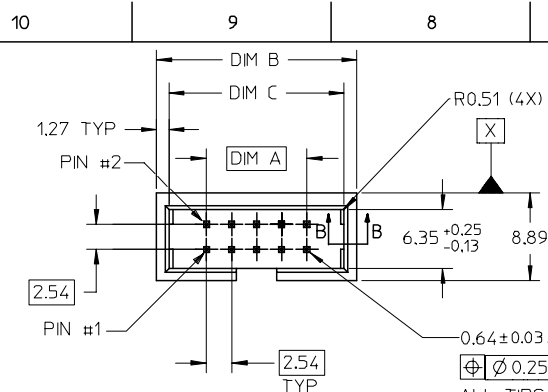
Duration at Max. Process Temperature (seconds)	5
Lead-free Process Capability	Wave Capable (TH only)
Max. Cycles at Max. Process Temperature	1
Process Temperature max. C	265

**Material Info****Reference - Drawing Numbers**

Packaging Specification	PK-87835-001
Product Specification	PS-70246-100
Sales Drawing	SD-87834-028

This document was generated on 05/25/2010

**PLEASE CHECK [WWW.MOLEX.COM](http://WWW.MOLEX.COM) FOR LATEST PART INFORMATION**



ASSEMBLY P/N	CKT SIZE	DIM A	DIM B	DIM C	DIM D
87834-0421	04	2.54	12.70	10.16	7.62
87834-0621	06	5.08	15.24	12.70	10.16
87834-1021	10	10.16	20.32	17.78	15.24
87834-1221	12	12.70	22.86	20.32	17.78
87834-1421	14	15.24	25.40	22.86	20.32
87834-1621	16	17.78	27.94	25.40	22.86
87834-1821	18	20.32	30.48	27.94	25.40
87834-2021	20	22.86	33.02	30.48	27.94
87834-2421	24	27.94	38.10	35.56	33.02
87834-2621	26	30.48	40.64	38.10	35.56
87834-3021	30	35.56	45.72	43.18	40.64
87834-3421	34	40.64	50.80	48.26	45.72
87834-4021	40	48.26	58.42	55.88	53.34
87834-4421	44	53.34	63.50	60.96	58.42
87834-5021	50	60.96	71.12	68.58	66.04
87834-5621	56	68.58	78.74	76.20	73.66
87834-6021	60	73.66	83.82	81.28	78.74
87834-6421	64	78.74	88.90	86.36	83.82
87834-7221	72	88.90	99.06	96.52	93.98

PART NUMBER LEGEND

87834 - \* \* 2 1  
CKT SIZES

NOTES :

- MATERIAL :  
HOUSING : NYLON (PA), UL94V-0, COLOR: NATURAL.  
PIN : COPPER ALLOY.
- PIN PUSHOUT FORCE 0.91 KG MIN.
- PRODUCT SPECIFICATION PS-70246-100 APPLIES.
- WAFER TO BE FLAT WITHIN 0.03MM/CM
- DIMENSIONS FOR PLATING LOCATIONS : A - MEASURE POINT FOR THICKNESS.  
B - MINIMUM COVERAGE.
- GOLD END OF PIN UNLESS OVERALL PLATED.
- FINISH :  
0.13um MIN GOLD FLASH OVER 1.02um MIN.PD/NI  
IN SELECTED AREA AND 2.5um MIN.TIN IN SELECTED AREA OVER 1.27um MIN NICKEL OVERALL
- FOR ILLUSTRATION PURPOSE A 10 CKT IS SHOWN.
- OPTIONAL LOCATION FOR MANUFACTURER/YEAR/DAY MARKING IF REQUIRED BY CUSTOMER

OBS P/N EC NO: S2007-0260 DRWNS:KANG CHKD:MJLNG APPR:SKTOH	QUALITY SYMBOLS ▽=0 ∇=0	GENERAL TOLERANCES (UNLESS SPECIFIED)		DIMENSION STYLE MM ONLY		SCALE NTS	DESIGN UNITS METRIC	THIRD ANGLE PROJECTION	
		4 PLACES ± ---	± ---	DRAWN BY RSHAN	DATE 2003/11/21	TITLE C-GRID, SHROUDED WAFER SLOTTED, WITH IN-LINE POLARIZATION PEGS			
REV B	DESCRIPTION	3 PLACES ± ---	± ---	CHECKED BY KCL ING	DATE 2003/12/05	MOLEX INCORPORATED			
		2 PLACES ± 0.20	± ---	APPROVED BY SKTOH	DATE 2003/12/06	DOCUMENT NO. SD-87834-028		SHEET NO. 1 OF 1	
DRAFT WHERE APPLICABLE MUST REMAIN WITHIN DIMENSIONS		ANGULAR ± 3 °		SEE TABLE		THIS DRAWING CONTAINS INFORMATION THAT IS PROPRIETARY TO MOLEX INCORPORATED AND SHOULD NOT BE USED WITHOUT WRITTEN PERMISSION			