

PLEASE CHECK WWW.MOLEX.COM FOR LATEST PART INFORMATION

Part Number: [0750885005](#)
Status: **Active**
Overview: vhdm_hsd
Description: 2.00mm (.079") Pitch 5-Row VHDM-HSD™ Backplane Header, Polarizing Pin Module, Code Key E, 40 Circuits

Documents:

[Drawing \(PDF\)](#) [RoHS Certificate of Compliance \(PDF\)](#)

General

| | |
|-------------------------------|---|
| Product Family | Backplane Connectors |
| Series | 75088 |
| Application | Backplane |
| Application Tooling Documents | Tooling Manual |
| Comments | Position E |
| Component Type | PCB Header |
| Overview | vhdm_hsd |
| Product Name | VHDM-HSD™ |
| Style | N/A |

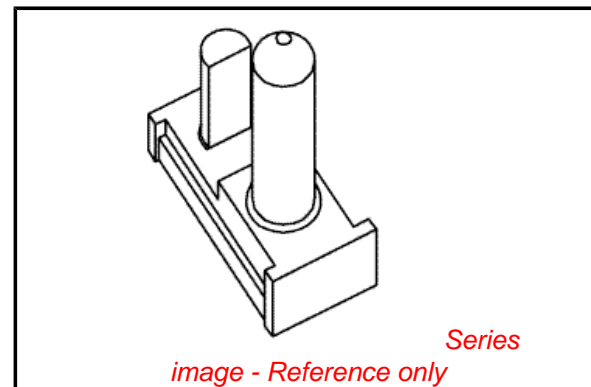
Physical

| | |
|--------------------------------|----------------|
| Circuits (Loaded) | N/A |
| Circuits (maximum) | 0 |
| Durability (mating cycles max) | 200 |
| First Mate / Last Break | No |
| Guide to Mating Part | Yes |
| Keying to Mating Part | Yes |
| Material - Metal | Zinc Alloy |
| Number of Columns | 10 |
| Number of Pairs | Open Pin Field |
| Number of Rows | 0 |
| Orientation | Vertical |
| PC Tail Length (in) | 0.000 In |
| PC Tail Length (mm) | 0.00 mm |
| PCB Locator | Yes |
| PCB Retention | None |
| PCB Thickness Recommended (in) | 0.173 In |
| PCB Thickness Recommended (mm) | 4.40 mm |
| Packaging Type | Bag |
| Pitch - Mating Interface (in) | 0.000 In |
| Pitch - Mating Interface (mm) | 0.00 mm |
| Pitch - Term. Interface (in) | 0.000 In |
| Pitch - Term. Interface (mm) | 0.00 mm |
| Polarized to PCB | Yes |
| Stackable | No |
| Surface Mount Compatible (SMC) | No |
| Temperature Range - Operating | N/A |

Electrical

| | |
|-------------------------------|----------|
| Current - Maximum per Contact | N/A |
| Data Rate | 5.0 Gbps |
| Shielded | No |
| Voltage - Maximum | N/A |

Material Info



EU RoHS

ELV and RoHS Compliant
REACH SVHC
 Not Reviewed
Halogen-Free Status
 Not Reviewed

China RoHS



Need more information on product environmental compliance?

Email productcompliance@molex.com
 For a multiple part number RoHS Certificate of Compliance, [click here](#)

Please visit the [Contact Us](#) section for any non-product compliance questions.

Search Parts in this Series

[75088Series](#)

Reference - Drawing Numbers

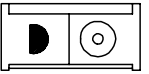
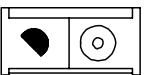

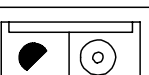
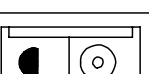

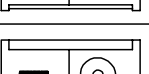
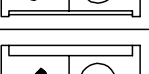
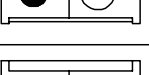
Sales Drawing

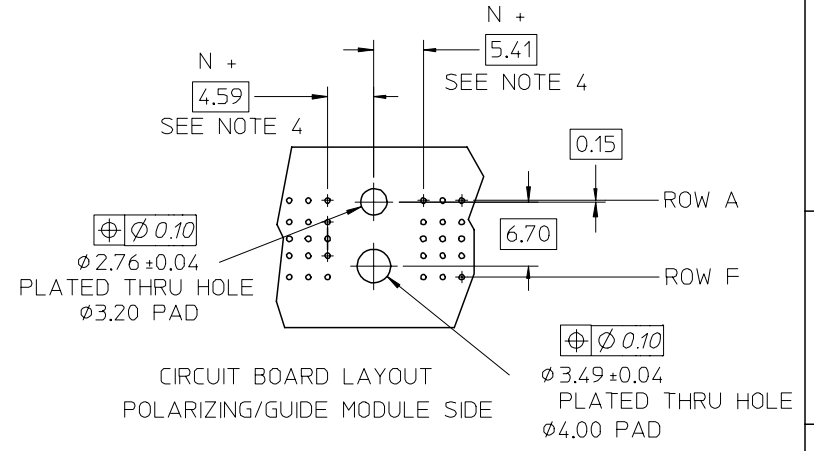
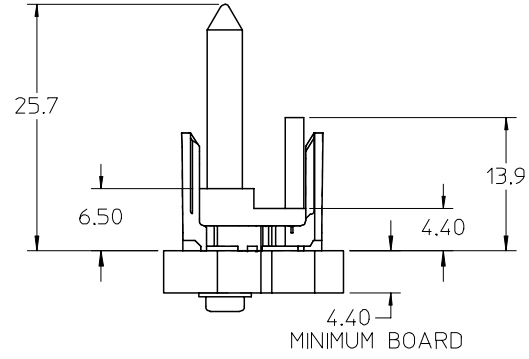
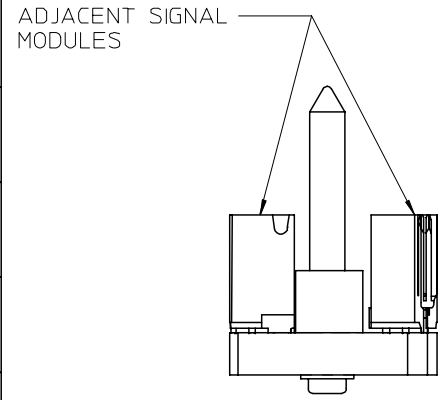
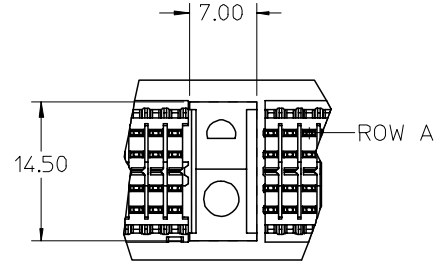
SD-75088-002

VHDM-HSD is a trademark of Amphenol Corporation

This document was generated on 05/28/2010

PLEASE CHECK WWW.MOLEX.COM FOR LATEST PART INFORMATION

| PART NUMBER | KEY POSITION |
|-------------|--|
| 75088-5001 | A  |
| 75088-5002 | B  |
| 75088-5003 | C  |
| 75088-5004 | D  |
| 75088-5005 | E  |
| 75088-5006 | F  |
| 75088-5007 | G  |
| 75088-5008 | H  |
| 75088-5000 | N/A  |



BILL OF MATERIAL 75088-500*

| ITEM | DESCRIPTION | QTY. |
|------|-----------------------------------|------|
| 1 | GUIDANCE AND POLARIZING MODULE | 1 |
| 2 | SCREW AND WASHER (PCB >4.4 - 9.0) | 1 |

- NOTES:
- MATERIAL:
ZINC ALLOY
 - THIS PART CONFORMS TO MOLEX
PRODUCT SPECIFICATION PS-74031-999
 - PACKAGING:
STANDARD BULK PACK, 100 PER BAG
SCREWS PACKAGED SEPARATELY
 - "N" MUST BE 0 OR A MULTIPLE OF 2.00

| ADDED 75088-5000 EC NO: UCP2004-0182 DRWN: JONIAK 2004/01/27 CHKD: JLAURX 2004/01/27 APPR: SREED 2004/01/27 | QUALITY SYMBOLS | GENERAL TOLERANCES (UNLESS SPECIFIED) | SCALE 2:1 | DESIGN UNITS METRIC | THIRD ANGLE PROJECTION | REVISE ON CAD ONLY | | | | | | | | | | | | | | | |
|---|------------------------------------|---|------------------|---------------------|------------------------|--------------------|-------|-------|----------|-------|-------|----------|-------|-------|---------|-------|-------|----------------------------|-------|--|--|
| | ▼ = 0 ▽ = 0 | <table border="1"> <thead> <tr> <th></th> <th>mm</th> <th>INCH</th> </tr> </thead> <tbody> <tr> <td>4 PLACES</td> <td>± ---</td> <td>± ---</td> </tr> <tr> <td>3 PLACES</td> <td>± ---</td> <td>± ---</td> </tr> <tr> <td>2 PLACES</td> <td>± ---</td> <td>± ---</td> </tr> <tr> <td>1 PLACE</td> <td>± ---</td> <td>± ---</td> </tr> </tbody> </table> | | mm | INCH | 4 PLACES | ± --- | ± --- | 3 PLACES | ± --- | ± --- | 2 PLACES | ± --- | ± --- | 1 PLACE | ± --- | ± --- | DIMENSION STYLE MM ONLY | TITLE | | |
| | | | | mm | INCH | | | | | | | | | | | | | | | | |
| | 4 PLACES | ± --- | ± --- | | | | | | | | | | | | | | | | | | |
| 3 PLACES | ± --- | ± --- | | | | | | | | | | | | | | | | | | | |
| 2 PLACES | ± --- | ± --- | | | | | | | | | | | | | | | | | | | |
| 1 PLACE | ± --- | ± --- | | | | | | | | | | | | | | | | | | | |
| DRAFT WHERE APPLICABLE MUST REMAIN WITHIN DIMENSIONS | DRAWN BY DATE JBINGHAM 02/02/13 | VHDM 5 ROW HSD BACKPLANE POLAR/GUIDE MODULE SALES ASSEMBLY | | | | | | | | | | | | | | | | | | | |
| REV | DESCRIPTION | APPROVED BY DATE | CHECKED BY DATE | MOLEX INCORPORATED | | | | | | | | | | | | | | | | | |
| | | CBIXLER 02/02/13 | NMARTIN 02/02/13 | MATERIAL NO. | DOCUMENT NO. | SHEET NO. | | | | | | | | | | | | | | | |
| | | | | SEE CHART | SD-75088-002 | 1 OF 1 | | | | | | | | | | | | | | | |
| THIS DRAWING CONTAINS INFORMATION THAT IS PROPRIETARY TO MOLEX INCORPORATED AND SHOULD NOT BE USED WITHOUT WRITTEN PERMISSION | | | | | | | | | | | | | | | | | | | | | |