

PLEASE CHECK WWW.MOLEX.COM FOR LATEST PART INFORMATION

Part Number: [0441332200](#)
Status: **Active**
Overview: [microfit_30](#)
Description: 3.00mm (.118") Micro-Fit 3.0 BMI™ Receptacle Housing, Dual Row, Panel Mount, 22 Circuits, PBT Polyester, UL 94V-0

Documents:

[3D Model](#) [Product Specification PS-44300-001 \(PDF\)](#)
[Drawing \(PDF\)](#) [RoHS Certificate of Compliance \(PDF\)](#)

Agency Certification

CSA	LR19980
TUV	R72081037
UL	E29179

General

Product Family	Crimp Housings
Series	44133
Overview	microfit_30
Product Literature Order No	USA-106
Product Name	Micro-Fit 3.0 BMI™

Physical

Circuits (maximum)	22
Color - Resin	Black
Flammability	94V-0
Gender	Female
Glow-Wire Compliant	No
Lock to Mating Part	None
Material - Resin	Polyester
Number of Rows	2
Packaging Type	Bag
Panel Mount	Yes
Pitch - Mating Interface (in)	0.118 In
Pitch - Mating Interface (mm)	3.00 mm
Polarized to Mating Part	Yes
Stackable	No
Temperature Range - Operating	-40°C to +105°C

Electrical

Current - Maximum per Contact	5A
-------------------------------	----

Material Info

Reference - Drawing Numbers

Application Specification	AS-44133-001
Packaging Specification	PK-44133-002
Product Specification	PS-44300-001, RPS-44300-001
Sales Drawing	SD-44133-001

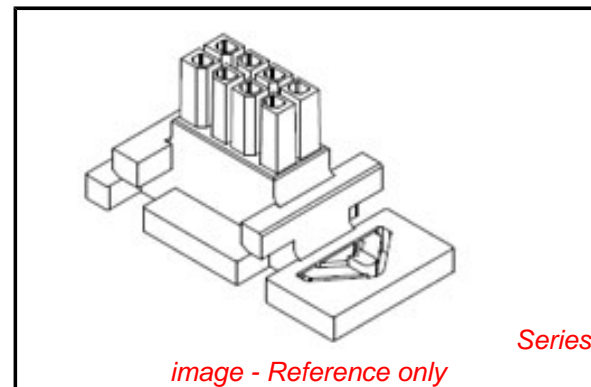


image - Reference only

EU RoHS

ELV and RoHS Compliant
REACH SVHC
 Not Reviewed
Halogen-Free Status
 Not Reviewed

China RoHS



Need more information on product environmental compliance?

Email productcompliance@molex.com
 For a multiple part number RoHS Certificate of Compliance, [click here](#)

Please visit the [Contact Us](#) section for any non-product compliance questions.

Search Parts in this Series

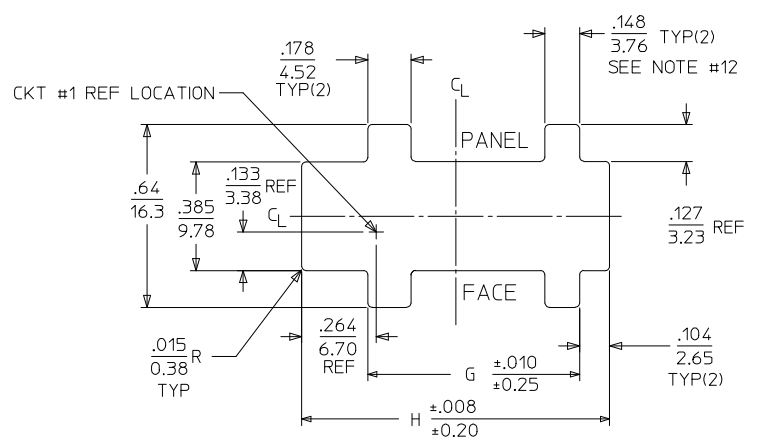
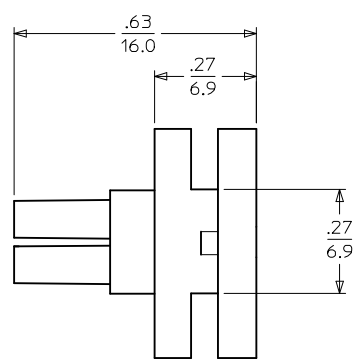
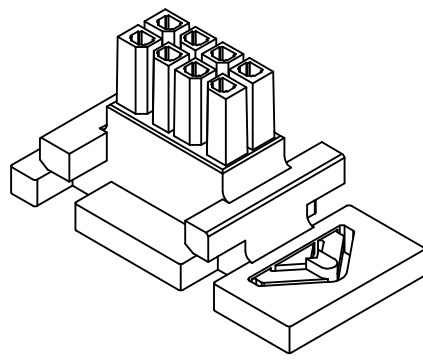
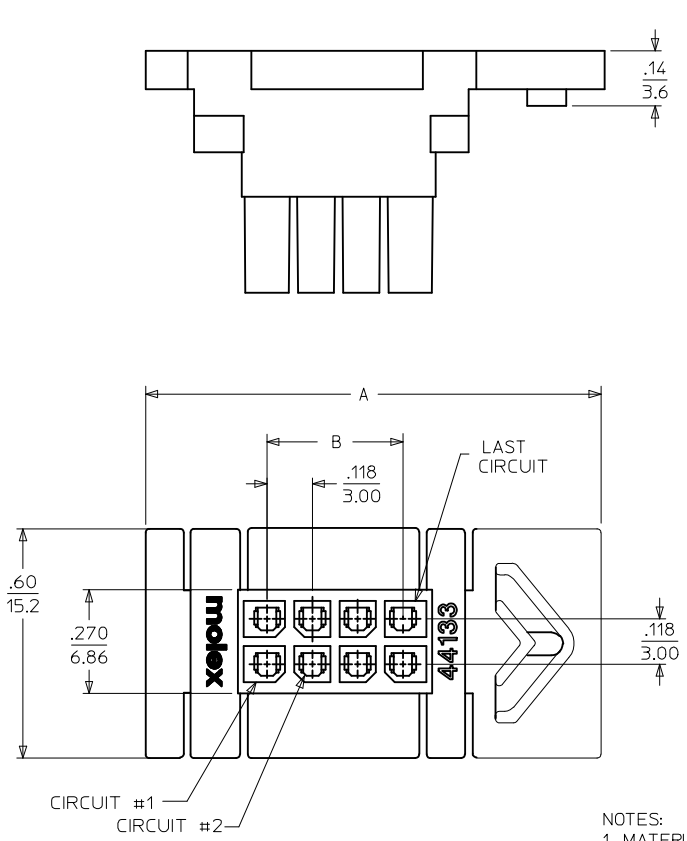
[44133Series](#)

Mates With

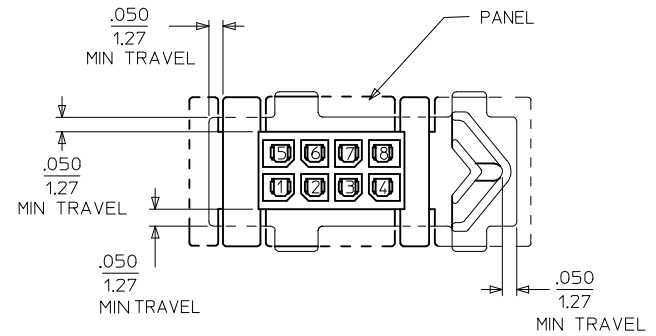
[44300-2200](#) Panel Mount Plug, [44432](#) Micro-Fit 3.0 BMI Vertical 22 Circuit Headers, [44428](#) Micro-Fit 3.0 BMI Right Angle 22 Circuit Headers, [45280](#) Micro-Fit 3.0 BMI CPI™ Vertical 22 Circuit Headers

Use With

[43030](#) Crimp Terminal



RECOMMENDED PANEL CUT-OUT
(SEE NOTE #7, #9, & #12)



RECEPTACLE SHOWN MOUNTED IN PANEL

NOTES:

1. MATERIAL: UNFILLED POLYESTER (PBT), UL94V-0, COLOR: BLACK
2. FINISH: N/A
3. PRODUCT SPECIFICATION: PS-44300-001
4. PACKAGING SPECIFICATION: TRAY PACKED PER PK-44133-002
5. THIS RECEPTACLE MATES WITH MOLEX BMI PLUG 44300, MOLEX BMI VERTICAL PCB HEADER 44432, MOLEX BMI RIGHT ANGLE PCB HEADER 44428, & MOLEX BMI CPI VERTICAL PCB HEADER 45280. (MOLEX DRAWINGS SD-44300-001, SD-44428-001, SD-44432-001, & SD-45280-001)
6. THIS RECEPTACLE TO BE USED WITH MOLEX FEMALE CRIMP TERMINALS ONLY. (MOLEX DRAWING SD-43030-****)
SEE APPLICATION SPECIFICATION AS-44133-001 FOR TERMINAL ORIENTATION IN HOUSING.
7. THIS RECEPTACLE IS DESIGNED FOR USE WITH .062/1.57 MAX. TO .050/1.27 MINIMUM THICK PANELS.
8. DIMENSIONS GIVEN ACROSS CENTERLINES ARE SYMMETRICAL ABOUT THOSE CENTERLINES WITHIN THE TOTAL TOLERANCE.
9. WHEN MATING WITH 44300 SERIES, THE PANEL CUT-OUT CENTERLINES OF DIM "H" AND .385/9.78 MUST ALIGN WITH POINT "M" DEFINED BY MOLEX DRAWING SD-44300-001.
10. MOLEX RECOMMENDS THE USE OF MICRO-FIT TEST PLUG (SERIES 44242) WHENEVER CONTINUITY TESTING IS PERFORMED. TEST PLUGS MUST NOT BE USED TO MAKE OR BREAK UNDER LOAD. MOLEX DOES NOT RECOMMEND USING STANDARD MATING COMPONENTS (SERIES 44428, 44432, 44300 OR 45280) FOR HARNESS TESTING PURPOSES.
11. PART CONFORMS TO CLASS 'B' REQUIREMENTS OF COSMETIC SPECIFICATION PS-45499-002. SOME HOUSINGS MAY HAVE A SMALL GATE BLEMISH NEAR THE GATE LOCATION THAT DOES NOT AFFECT FUNCTIONALITY. HOUSINGS MAY EXHIBIT A SURFACE IMPERFECTION KNOWN AS 'SINK MARKS' UP TO .024/(0.60) MAX. THIS IS A COSMETIC DEFECT AND DOES NOT EFFECT FUNCTION OF THE CONNECTOR.
12. THE WIDTH OF THE NARROW SLOTS SHOULD BE .114-.129/2.90-3.28 (MIN-MAX) IF KEYING OF THE CONNECTOR TO THE CUT-OUT IS DESIRED.

CKT. SIZE	MATERIAL NUMBER	DIM "A"	DIM "B"	DIM "G"	DIM "H"
04	44133-0400	.97 24.6	.118 3.00	.530 13.46	.870 22.10
06	44133-0600	1.09 27.7	.236 6.00	.648 16.46	.988 25.10
08	44133-0800	1.21 30.7	.354 9.00	.766 19.46	1.106 28.10
10	44133-1000	1.33 33.8	.472 12.00	.884 22.46	1.224 31.10
12	44133-1200	1.45 36.8	.591 15.00	1.002 25.46	1.343 34.10
14	44133-1400	1.57 39.9	.709 18.00	1.120 28.46	1.461 37.10
16	44133-1600	1.69 42.9	.827 21.00	1.239 31.46	1.579 40.10
18	44133-1800	1.81 46.0	.945 24.00	1.357 34.46	1.697 43.10
20	44133-2000	1.93 49.0	1.063 27.00	1.475 37.46	1.815 46.10
22	44133-2200	2.04 51.8	1.181 30.00	1.593 40.46	1.933 49.10
24	44133-2400	2.16 54.9	1.299 33.00	1.711 43.46	2.051 52.10

COSMETIC SPEC. EC NO: UCP2009-2841 DRWNS00505EK 2009/05/26 CHKDKKIPPER 2009/05/28 APPR:FSMLTH 2009/05/28 REV:	QUALITY SYMBOLS	GENERAL TOLERANCES (UNLESS SPECIFIED) <table border="1"> <tr> <th></th> <th>mm</th> <th>INCH</th> </tr> <tr> <td>4 PLACES ±</td> <td>---</td> <td>±---</td> </tr> <tr> <td>3 PLACES ±</td> <td>---</td> <td>±.010</td> </tr> <tr> <td>2 PLACES ±</td> <td>0.25</td> <td>±.014</td> </tr> <tr> <td>1 PLACE ±</td> <td>0.35</td> <td>±---</td> </tr> </table>		mm	INCH	4 PLACES ±	---	±---	3 PLACES ±	---	±.010	2 PLACES ±	0.25	±.014	1 PLACE ±	0.35	±---	DIMENSION STYLE IN/MM	SCALE --- METRIC	DESIGN UNITS METRIC	THIRD ANGLE PROJECTION
			mm	INCH																	
	4 PLACES ±		---	±---																	
	3 PLACES ±		---	±.010																	
2 PLACES ±	0.25	±.014																			
1 PLACE ±	0.35	±---																			
▽=0 ▽=0	DRAWN BY SOMMER	DATE 1998/09/30	TITLE MICRO-FIT (3.0) BMI FLOATING PANEL RECEPTACLE, 4-24 CIRCUIT	MOLEX INCORPORATED																	
APPROVED BY EDGLEY	DATE 1998/09/30	DOCUMENT NO. SD-44133-001	SHEET NO. 1 OF 1																		
DRAFT WHERE APPLICABLE MUST REMAIN WITHIN DIMENSIONS	SEE CHART	THIS DRAWING CONTAINS INFORMATION THAT IS PROPRIETARY TO MOLEX INCORPORATED AND SHOULD NOT BE USED WITHOUT WRITTEN PERMISSION																			