

PLEASE CHECK WWW.MOLEX.COM FOR LATEST PART INFORMATION

Part Number: [0050361734](#)
Status: **Active**
Overview: [minifit_jr](#)
Description: 4.20mm (.165") Pitch Mini-Fit Jr.™ Plug Housing, Dual Row, with Panel Mount Ears, PA Polyamide Nylon 6/6, UL 94V-0, 2 Circuits, Glow Wire Compatible

Documents:

[3D Model](#) [Product Specification PS-5556-001 \(PDF\)](#)
[Drawing \(PDF\)](#) [RoHS Certificate of Compliance \(PDF\)](#)

General

| | |
|----------------|--|
| Product Family | Crimp Housings |
| Series | 5559 |
| Comments | Current = 13A max. per circuit when header is mated to a receptacle loaded with 45750 series terminals crimped to 16 AWG wire. . See Molex product specification PS-45750-001 for additional current derating information. |
| Overview | minifit_jr |
| Product Name | Mini-Fit Jr.™ |

Physical

| | |
|-------------------------------|-----------------|
| Breakaway | No |
| Circuits (maximum) | 2 |
| Color - Resin | Black |
| Gender | Plug |
| Glow-Wire Compliant | Yes |
| Keying to Mating Part | None |
| Lock to Mating Part | Yes |
| Material - Resin | Nylon |
| Number of Rows | 2 |
| Packaging Type | Bag |
| Panel Mount | Yes |
| Pitch - Mating Interface (in) | 0.165 In |
| Pitch - Mating Interface (mm) | 4.20 mm |
| Pitch - Term. Interface (in) | 0.165 In |
| Pitch - Term. Interface (mm) | 4.20 mm |
| Polarized to Mating Part | Yes |
| Ports | 1 |
| Stackable | No |
| Temperature Range - Operating | -40°C to +105°C |

Electrical

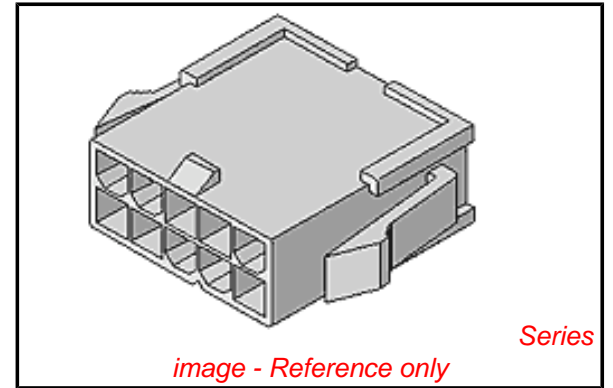
| | |
|-------------------------------|-----|
| Current - Maximum per Contact | 13A |
|-------------------------------|-----|

Material Info

| | |
|-----------------|--------------|
| Old Part Number | 5559-02P-225 |
|-----------------|--------------|

Reference - Drawing Numbers

| | |
|-------------------------|--------------------------|
| Packaging Specification | PK-5557-003 |
| Product Specification | PS-5556-001 |
| Sales Drawing | SD-5559-425 |
| Test Summary | TS-5556-002, TS-5559-001 |



EU RoHS

ELV and RoHS Compliant
REACH SVHC
Contains SVHC: No
Halogen-Free Status

China RoHS



Need more information on product environmental compliance?

Email productcompliance@molex.com
 For a multiple part number RoHS Certificate of Compliance, [click here](#)

Please visit the [Contact Us](#) section for any non-product compliance questions.

Search Parts in this Series

[5559Series](#)

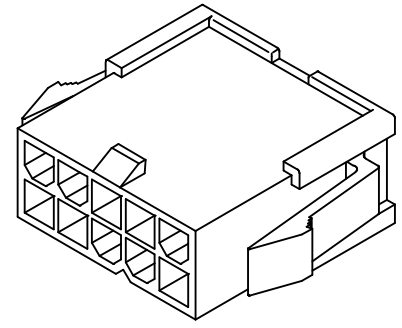
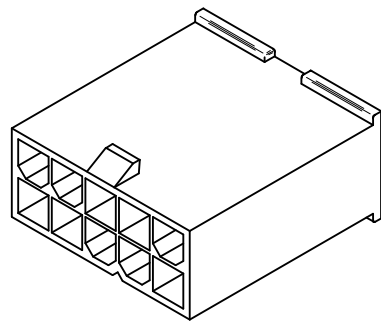
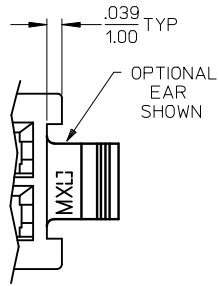
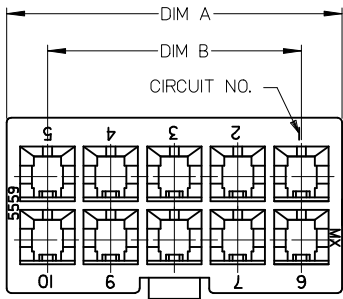
Mates With

[5557](#) Receptacle Housing

Use With

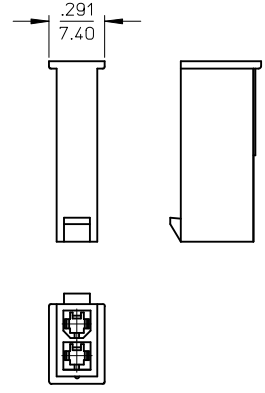
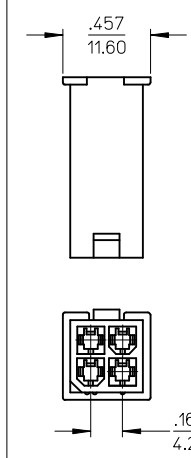
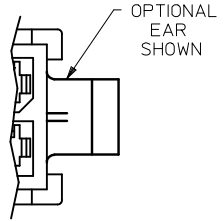
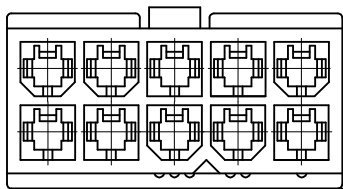
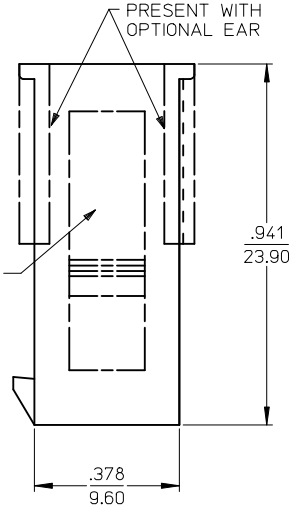
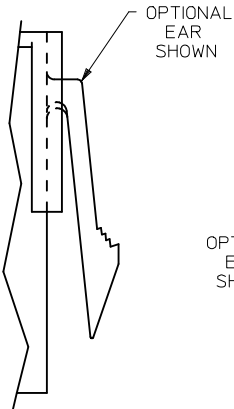
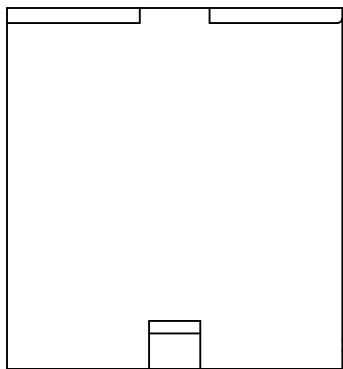
[5558](#) Male Terminal

PLEASE CHECK WWW.MOLEX.COM FOR LATEST PART INFORMATION



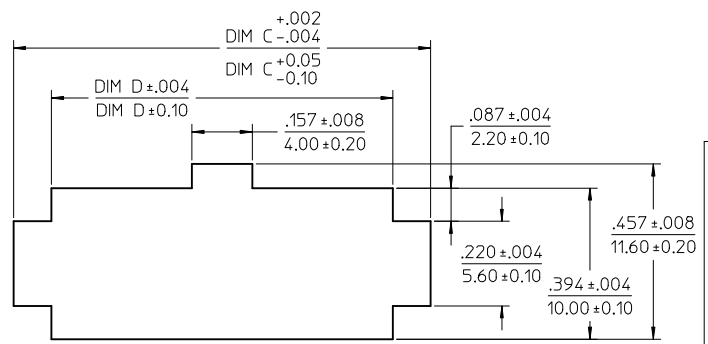
WITHOUT MOUNTING EARS
6-24 CIRCUIT
5559-**P1-225

WITH MOUNTING EARS
2-24 CIRCUIT
5559-**P-225



WITHOUT MOUNTING EARS
4 CIRCUIT
5559-04P1-225
SCALE: 2X

WITHOUT MOUNTING EARS
2 CIRCUIT
5559-02P1-225
SCALE: 2X



RECOMMENDED PANEL CUTOUT
THICKNESS: .032-.079 (0.80-2.00)

| | |
|---------|----|
| 2 | A3 |
| 1 | A3 |
| SHT REV | |

| | |
|---------------------------|-----------------|
| ADDED PART #S | QUALITY SYMBOLS |
| EC NO: UCP2010-0974 | ▽=0 |
| DRWN: JAGUILAR 2009/10/14 | ▽=0 |
| CHKD: JEBEL 2009/10/20 | |
| APPR: FSMITH 2009/10/20 | |
| REV | DESCRIPTION |
| A3 | |

| | |
|--|---------|
| GENERAL TOLERANCES (UNLESS SPECIFIED) | |
| mm | INCH |
| 4 PLACES ± .005 | ± .0005 |
| 3 PLACES ± .005 | ± .010 |
| 2 PLACES ± .025 | ± .015 |
| 1 PLACE ± 0.38 | ± .005 |
| ANGULAR ± 1/2° | |
| DRAFT WHERE APPLICABLE MUST REMAIN WITHIN DIMENSIONS | |

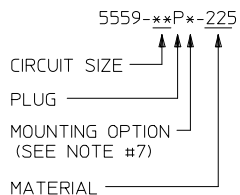
| | |
|-----------------|------------|
| DIMENSION STYLE | |
| IN/MM | |
| DRAWN BY | DATE |
| LSCHEMIDT | 2007/04/25 |
| CHECKED BY | DATE |
| ADERR | 2007/04/27 |
| APPROVED BY | DATE |
| FSMITH | 2007/05/04 |
| MATERIAL NO. | |
| SEE SHEET 2 | |

| | | |
|---|--------------|------------------------|
| SCALE | DESIGN UNITS | THIRD ANGLE PROJECTION |
| 4:1 | METRIC | |
| TITLE | | |
| MINI-FIT JR PLUG | | |
| 2-24 CIRCUIT DUAL ROW | | |
| W/ & W/O EARS GLOW WIRE | | |
| MOLEX INCORPORATED | | SHEET NO. |
| DOCUMENT NO. | | 1 OF 2 |
| SD-5559-425 | | |
| THIS DRAWING CONTAINS INFORMATION THAT IS PROPRIETARY TO MOLEX INCORPORATED AND SHOULD NOT BE USED WITHOUT WRITTEN PERMISSION | | |

| | 13 | 12 | 11 | 10 | 9 | 8 | 7 | 6 | 5 | 4 | 3 | 2 | 1 |
|---|-------------|-----------------|----------|-----------------|-------------|---------------|----------------|----------------|-------------------------|---|---|---|---|
| J | PART NUMBER | ENGINEERING NO. | CKT SIZE | MOUNTING OPTION | DIM "A" | DIM "B" | DIM "C" | DIM "D" | PACKAGING SPECIFICATION | | | | |
| | 50-36-1678 | 5559-02P1-225 | 02 | WITHOUT EARS | SEE SHEET 1 | -- | NOT APPLICABLE | NOT APPLICABLE | PK-5559-002 | | | | |
| | 50-36-1679 | 5559-04P1-225 | 04 | WITHOUT EARS | SEE SHEET 1 | .165 / 4.20 | NOT APPLICABLE | NOT APPLICABLE | | | | | |
| | 50-36-1675 | 5559-06P1-225 | 06 | WITHOUT EARS | .54 / 13.8 | .331 / 8.40 | NOT APPLICABLE | NOT APPLICABLE | | | | | |
| | 50-36-1737 | 5559-08P1-225 | 08 | WITHOUT EARS | .71 / 18.0 | .496 / 12.60 | NOT APPLICABLE | NOT APPLICABLE | | | | | |
| | 50-36-1738 | 5559-10P1-225 | 10 | WITHOUT EARS | .87 / 22.2 | .661 / 16.80 | NOT APPLICABLE | NOT APPLICABLE | | | | | |
| | 26-01-3096 | 5559-12P1-225 | 12 | WITHOUT EARS | 1.04 / 26.4 | .827 / 21.00 | NOT APPLICABLE | NOT APPLICABLE | | | | | |
| I | NOT TOOLED | 5559-14P1-225 | 14 | WITHOUT EARS | 1.21 / 30.6 | .992 / 25.20 | NOT APPLICABLE | NOT APPLICABLE | | | | | |
| | 50-36-1676 | 5559-16P1-225 | 16 | WITHOUT EARS | 1.37 / 34.8 | 1.158 / 29.40 | NOT APPLICABLE | NOT APPLICABLE | | | | | |
| | 50-36-1677 | 5559-18P1-225 | 18 | WITHOUT EARS | 1.54 / 39.0 | 1.323 / 33.60 | NOT APPLICABLE | NOT APPLICABLE | | | | | |
| | NOT TOOLED | 5559-20P1-225 | 20 | WITHOUT EARS | 1.70 / 43.2 | 1.488 / 37.80 | NOT APPLICABLE | NOT APPLICABLE | | | | | |
| | NOT TOOLED | 5559-22P1-225 | 22 | WITHOUT EARS | 1.87 / 47.4 | 1.654 / 42.00 | NOT APPLICABLE | NOT APPLICABLE | | | | | |
| H | NOT TOOLED | 5559-24P1-225 | 24 | WITHOUT EARS | 2.03 / 51.6 | 1.819 / 46.20 | NOT APPLICABLE | NOT APPLICABLE | PK-5559-002 | | | | |
| | 50-36-1734 | 5559-02P-225 | 02 | WITH EARS | .21 / 5.4 | -- | .425 / 10.80 | .228 / 5.80 | BULK | | | | |
| | 50-36-1735 | 5559-04P-225 | 04 | WITH EARS | .38 / 9.6 | .165 / 4.20 | .591 / 15.00 | .394 / 10.00 | BULK | | | | |
| | 50-36-1736 | 5559-06P-225 | 06 | WITH EARS | .54 / 13.8 | .331 / 8.40 | .756 / 19.20 | .559 / 14.20 | BULK | | | | |
| | 50-36-1716 | 5559-08P-225 | 08 | WITH EARS | .71 / 18.0 | .496 / 12.60 | .921 / 23.40 | .724 / 18.40 | BULK | | | | |
| G | 50-36-1739 | 5559-10P-225 | 10 | WITH EARS | .87 / 22.2 | .661 / 16.80 | 1.087 / 27.60 | .890 / 22.60 | BULK | | | | |
| | 50-36-1869 | 5559-12P-225 | 12 | WITH EARS | 1.04 / 26.4 | .827 / 21.00 | 1.252 / 31.80 | 1.055 / 26.80 | BULK | | | | |
| | 50-36-1876 | 5559-14P-225 | 14 | WITH EARS | 1.21 / 30.6 | .992 / 25.20 | 1.417 / 36.00 | 1.224 / 31.10 | BULK | | | | |
| | 50-36-2273 | X 5559-16P-225 | 16 | WITH EARS | 1.37 / 34.8 | 1.158 / 29.40 | 1.583 / 40.20 | 1.390 / 35.30 | BULK | | | | |
| | NOT TOOLED | 5559-18P-225 | 18 | WITH EARS | 1.54 / 39.0 | 1.323 / 33.60 | 1.748 / 44.40 | 1.555 / 39.50 | BULK | | | | |
| | NOT TOOLED | 5559-20P-225 | 20 | WITH EARS | 1.70 / 43.2 | 1.488 / 37.80 | 1.913 / 48.60 | 1.720 / 43.70 | BULK | | | | |
| F | NOT TOOLED | 5559-22P-225 | 22 | WITH EARS | 1.87 / 47.4 | 1.654 / 42.00 | 2.079 / 52.80 | 1.886 / 47.90 | BULK | | | | |
| | NOT TOOLED | 5559-24P-225 | 24 | WITH EARS | 2.03 / 51.6 | 1.819 / 46.20 | 2.244 / 57.00 | 2.051 / 52.10 | BULK | | | | |

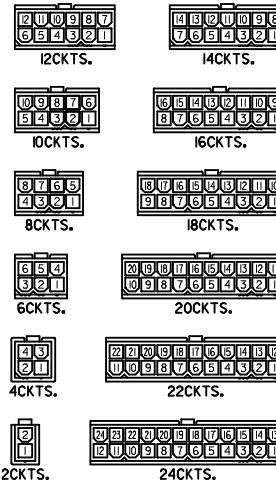
X = NOT TOOLED

LEGEND



NOTES:

- 1) MATERIAL:
225 = NYLON (PA6), UL94V-0, COLOR: BLACK; IEC 60335-1, 4th EDITION GLOW WIRE CAPABLE.
- 2) FINISH: NOT APPLICABLE
- 3) PRODUCT SPECIFICATION: PS-5556-001
- 4) PACKAGING: SEE CHART
- 5) PART MATES WITH MOLEX RECEPTACLE #5557.
- 6) PART TO BE USED WITH MOLEX MALE TERMINAL #5558.
- 7) MOUNTING OPTIONS:
"BLANK" = WITH EARS
"1" = WITHOUT EARS
- 8) PART IS NOT DESIGNED FOR CURRENT SHARING.
- 9) CONNECTORS ARE NOT TO BE MATED OR UNMATED WHILE CIRCUITS ARE LIVE.
- 10) WIRES ARE TO BE DRESSED IN SUCH A MANNER TO ALLOW THE TERMINALS TO FLOAT FREELY IN THE POCKET.
- 11) PART CONFORMS TO CLASS "B" REQUIREMENTS OF COSMETIC SPECIFICATION PS-45499-002 WITH THE EXCEPTION OF DISCOLORATION, FLASH AND SINK MEET CLASS "C" REQUIREMENTS.



REFERENCE FOR CIRCUIT NUMBER ORIENTATION (OPTIONAL EARS NOT SHOWN)

| | | | | | | | | | | |
|---|---|--|------------|----------------------------------|------------|--|------------------------|------------------------|--|--|
| ADD PART #S EC NO: UCP2010-0974 DRWNG: JAGUILAR CHKD: JEBEL APPR: FSMITH 2009/10/14 2009/10/20 2009/10/20 | DESCRIPTION QUALITY SYMBOLS ▽=0 ▽=0 | GENERAL TOLERANCES (UNLESS SPECIFIED) | | DIMENSION STYLE IN/MM | | SCALE --- | DESIGN UNITS METRIC | THIRD ANGLE PROJECTION | | |
| | | 4 PLACES ± --- | ± --- | DRAWN BY | DATE | TITLE MINI-FIT JR PLUG 2-24 CIRCUIT DUAL ROW W/ & W/O EARS GLOW WIRE | | | | |
| | | 3 PLACES ± --- | ± --- | LSCHMIDT | 2007/04/25 | | | | | |
| | | 2 PLACES ± --- | ± --- | CHECKED BY | DATE | MOLEX MOLEX INCORPORATED | | | | |
| 1 PLACE ± --- | ± --- | ADERR | 2007/04/27 | | | | | | | |
| ANGULAR ± ---° | | APPROVED BY | DATE | MATERIAL NO. SEE CHART | | DOCUMENT NO. SD-5559-425 | | SHEET NO. 2 OF 2 | | |
| DRAFT WHERE APPLICABLE MUST REMAIN WITHIN DIMENSIONS | | THIS DRAWING CONTAINS INFORMATION THAT IS PROPRIETARY TO MOLEX INCORPORATED AND SHOULD NOT BE USED WITHOUT WRITTEN PERMISSION | | | | | | | | |