

StoreJet[®] 35 Turbo

SATA HDD Enclosure

Description

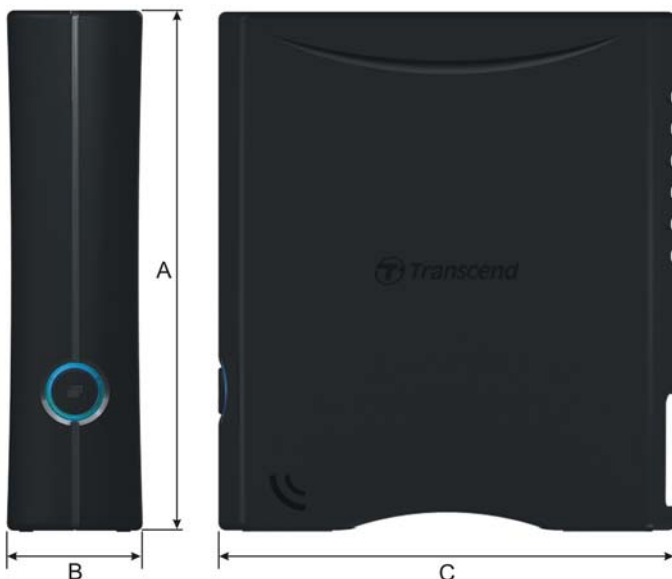
This stylish, versatile, high-speed USB storage device is the perfect data management system for uploading, downloading, storing and transferring your vital data and information. With its OneTouch auto-backup button and TurboHDD USB mode*, the compact **StoreJet[®] 35T** is quick and easy way to store and back-up essential files, folders, documents, photos, music and videos. In addition, the **StoreJet[®] 35T** comes with very useful software* that can increase your storage productivity and security.

*Note: StoreJet[®] elite and TurboHDD USB software only work in Windows[®]

System Requirements

- Desktop or notebook computers with USB port
- One of following operating systems:
 - Windows[®] 7/Vista/XP/2000, Mac[®] OS 9.0 or above
 - Linux[®] Kernel 2.4.2 or above

Placement



Features

- Hi-Speed USB 2.0 compliant and USB 1.1 backwards compatible
- Space-saving upright design – no stand needed
- Easy Plug and Play installation – no drivers required
- Pre-formatted for extra convenience
- Power-Saving Auto Sleep Mode
- High transfer rate up to 480 Mbits per second
- Additional software pack: StoreJet[®] elite (helps you manage your data)
- OneTouch Auto-Backup function
- Includes StoreJet[®] Elite backup and security software
- Extra-large storage capacity for backing-up files
- Two-color LED indicator
- Recommended operating temperature: 5°C ~ 55°C

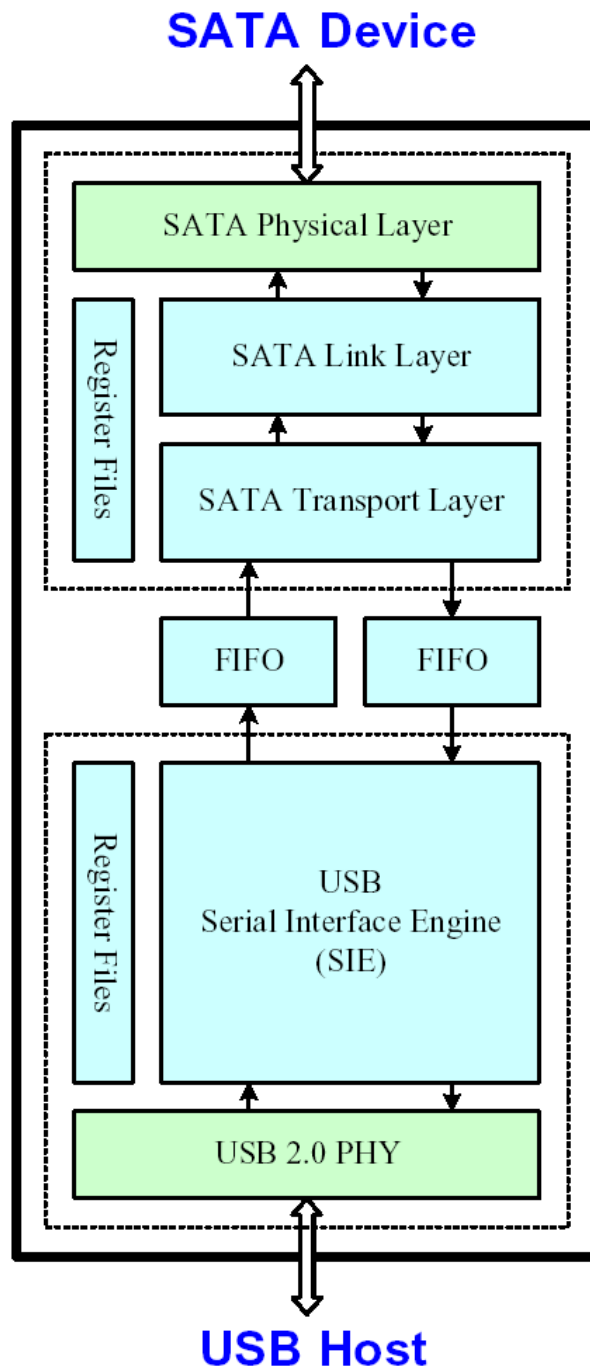
Dimensions

Side	Millimeters	Inches
A	172.40 ± 1.00	67.87 ± 0.04
B	44.80 ± 1.00	17.64 ± 0.04
C	152.40 ± 1.00	60.00 ± 0.04

Ordering Information

Transcend P/N	Capacity
TS1TSJ35T	1TB
TS15TSJ35T	1.5TB
TS2TSJ35T	2TB

Block Diagram



StoreJet[®] 35 Turbo

SATA HDD Enclosure

Pinouts

Pin No.	Pin Name
01	VCC
02	USB-
03	USB+
04	VSS

Pin Identification

Symbol	Function
USB-	USB differential signal
USB+	The pairs are used to transmit Data/Address/Command
VCC	USB Cable Power Detector
VSS	Ground

Specifications

Environment		
Storage Media	3.5 inch SATA Hard Disk Drive	
Temperature	Operation	5 °C to 55 °C
	Storage	-20 °C to 60 °C
Power Supply	DC input: 12V/2A	
Size (L x W x H)	152.40mm x44.80mm x172.40mm	
Weight	1040g (Max.)	
Certificates	CE, FCC, BSMI	

Above technical information is based on industry standard data and tested to be reliable. However, Transcend makes no warranty, either expressed or implied, as to its accuracy and assumes no liability in connection with the use of this product. Transcend reserves the right to make changes in specifications at any time without prior notice.