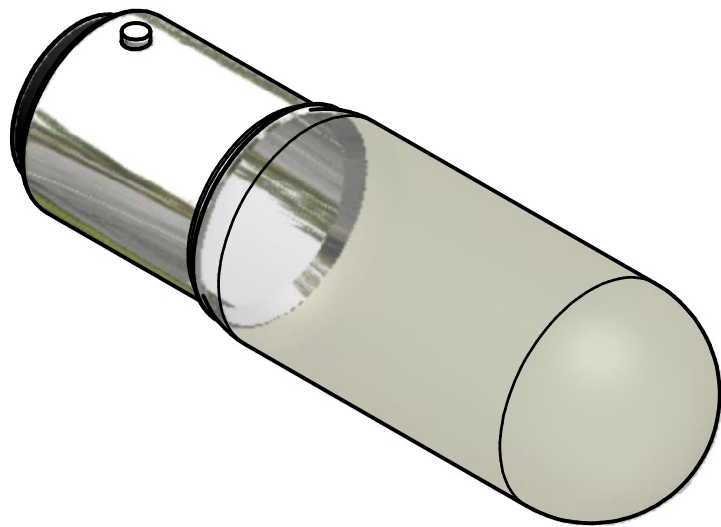
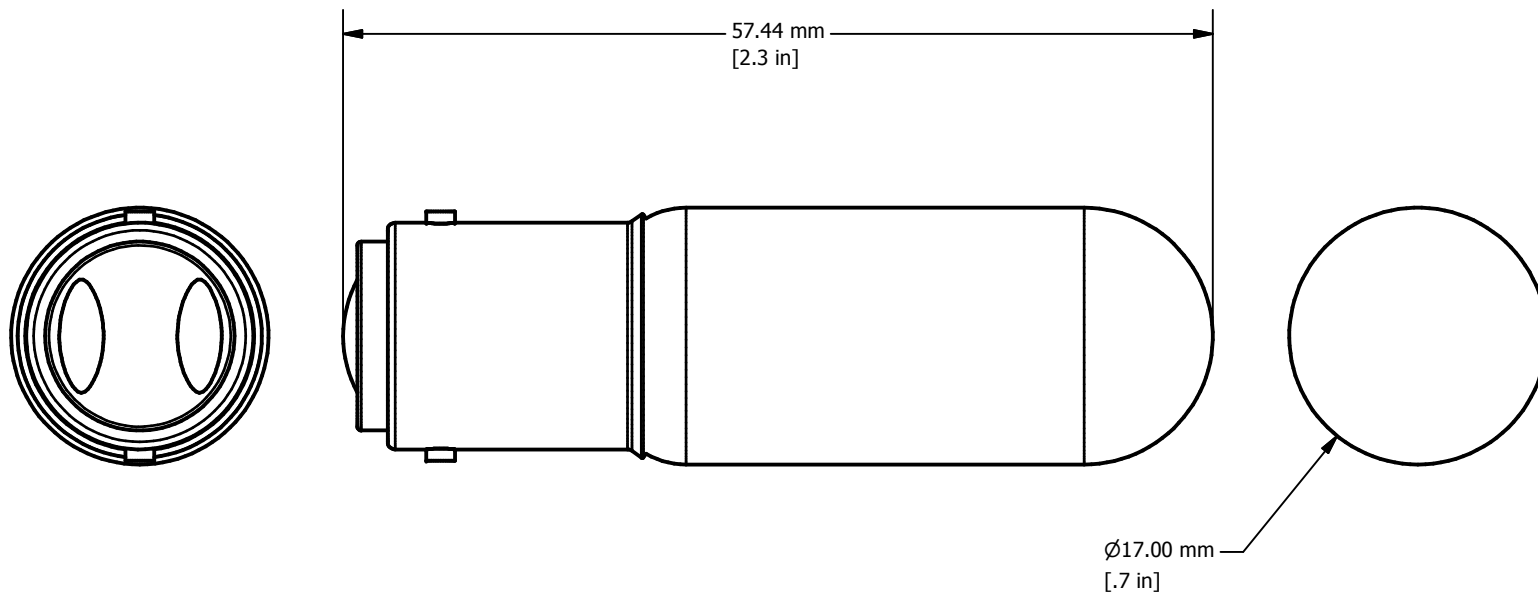


REVISION FOR DWG # 1PB-BA15Dxxx

REV	CH.NO.	DESCRIPTION	DATE	REVISED BY
-	-	ORIGINAL DESIGN	11/21/2007	PHILIPP E.



Color	Voltage	Cat. No.
Clear	12 V AC/DC	BA15D12
Clear	24 V AC/DC	BA15D24
Clear	48 V AC/DC	BA15D48
Clear	110 V AC/DC	BA15D110
Clear	230 V AC/Dc	BA15D230



UNLESS OTHERWISE SPECIFIED:
 • ALL DIMENSIONS ARE IN MILLIMETERS
 • THIRD ANGLE PROJECTION



This Drawing is the property of
Altrech Corp.

35 Royal Road
 Flemington, NJ 08822-6000
 (908) 806-9400
 Fax (908) 806-9490

AND IS A CONFIDENTIAL
 DISCLOSURE LENT WITHOUT
 CONSIDERATION OTHER THAN THE
 BORROWER'S AGREEMENT THAT IT
 SHALL NOT BE REPRODUCED,
 COPIED, LENT OR DISPOSED OF
 DIRECTLY OR INDIRECTLY NOR
 USED FOR ANY PURPOSE OTHER
 THAN THAT FOR WHICH IT IS
 SPECIFICALLY FURNISHED.

TITEL 30 mm Replacment Filament Bulbs

DRAWN BY: Philipp Ernstberger	11/21/2007	DRAWING NO.:	REV.:
CHECKED BY: Laszlo Gyorgypal	11/21/2007	1PB-BA15Dxxx	-
RELEASED BY: Laszlo Gyorgypal	11/21/2007	SCALE: -	SHEET: 1 OF: 1

TOLERANCE	
XX	= ±1 mm
XX.X	= ±0.5 mm
XX.XX	= ±0.2 mm
ALL	= - mm

M
E
T
R
I
C