

**PLEASE CHECK WWW.MOLEX.COM FOR LATEST PART INFORMATION**

**Part Number:** [0459710361](#)  
**Status:** **Active**  
**Description:** 1.27mm (.050") by 1.27mm (.050") Pitch SEARAY\* Receptacle, 114 Circuits, 6.50mm (.255") Unmated Height, 6 Rows, With Pegs, Solder Charge™ Lead Free

**Documents:**

[3D Model](#) [Product Specification PS-45970-002 \(PDF\)](#)  
[Drawing \(PDF\)](#) [RoHS Certificate of Compliance \(PDF\)](#)  
[Product Specification PS-45970-001 \(PDF\)](#)

**Agency Certification**

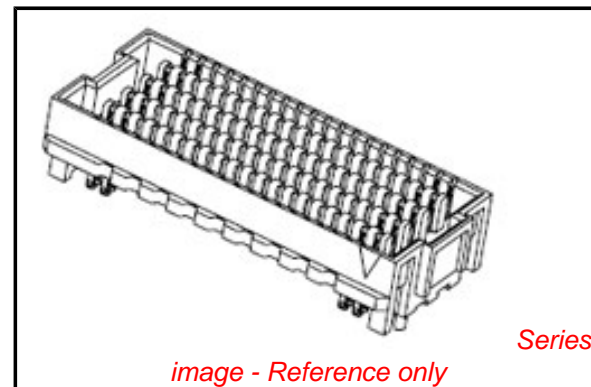
CSA LR19980  
 UL E29179

**General**

Product Family PCB Receptacles  
 Series [45971](#)  
 Application Board-to-Board  
 Product Name SEARAY\*

**Physical**

Circuits (Loaded) 114  
 Circuits (maximum) 114  
 Circuits Detail 114  
 Color - Resin Black  
 Durability (mating cycles max) 100  
 Flammability 94V-0  
 Glow-Wire Compliant No  
 Guide to Mating Part No  
 Keying to Mating Part None  
 Lock to Mating Part No  
 Material - Metal Copper Alloy  
 Material - Plating Mating Gold  
 Material - Plating Termination Tin  
 Material - Resin High Temperature Thermoplastic  
 Number of Rows 6  
 Orientation Vertical  
 PC Tail Length (in) 0.086 In  
 PC Tail Length (mm) 2.18 mm  
 PCB Locator Yes  
 PCB Retention Yes  
 PCB Thickness Recommended (in) 0.062 In  
 PCB Thickness Recommended (mm) 1.57 mm  
 Packaging Type Tray  
 Pitch - Mating Interface (in) 0.050 In  
 Pitch - Mating Interface (mm) 1.27 mm  
 Pitch - Term. Interface (in) 0.050 In  
 Pitch - Term. Interface (mm) 1.27 mm  
 Plating min: Mating (µin) 30  
 Plating min: Mating (µm) 0.75  
 Plating min: Termination (µin) 100  
 Plating min: Termination (µm) 2.5  
 Polarized to Mating Part Yes  
 Polarized to PCB Yes  
 Robotic Placement Pick and Place Cap  
 Stackable No



**EU RoHS**

**ELV and RoHS Compliant**  
**REACH SVHC**  
 Not Reviewed  
**Halogen-Free Status**  
**Not Reviewed**

**China RoHS**



**Need more information on product environmental compliance?**

Email [productcompliance@molex.com](mailto:productcompliance@molex.com)  
 For a multiple part number RoHS Certificate of Compliance, [click here](#)

Please visit the [Contact Us](#) section for any non-product compliance questions.

**Search Parts in this Series**

[45971Series](#)

**Mates With**

[45970 SEARAY\\* Plug](#)

|                                |                 |
|--------------------------------|-----------------|
| Surface Mount Compatible (SMC) | Yes             |
| Temperature Range - Operating  | -55°C to +125°C |
| Termination Interface: Style   | Surface Mount   |

### **Electrical**

|                               |         |
|-------------------------------|---------|
| Current - Maximum per Contact | 2.7A    |
| Grounding to PCB              | No      |
| Voltage - Maximum             | 240V AC |

### **Solder Process Data**

|  |                           |
|--|---------------------------|
| Duration at Max. Process Temperature (seconds) | 3                         |
| Lead-free Process Capability                   | Reflow Capable (SMT only) |
| Max. Cycles at Max. Process Temperature        | 1                         |
| Process Temperature max. C                     | 260                       |

### **Material Info**

#### **Reference - Drawing Numbers**

|                           |  |
|---------------------------|--|
| Application Specification | AS-45970-001, AS-45970-002, AS-45970-990 |
| Packaging Specification   | PK-45971-001                             |
| Product Specification     | PS-45970-001, PS-45970-002               |
| Sales Drawing             | SD-45971-001                             |
| Test Summary              | TS-45970-001                             |

\*SEARAY is a trademark of Samtec, Inc.

This document was generated on 05/25/2010

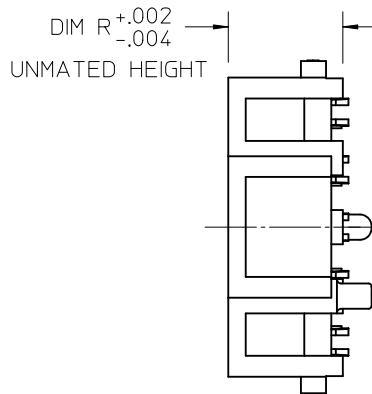
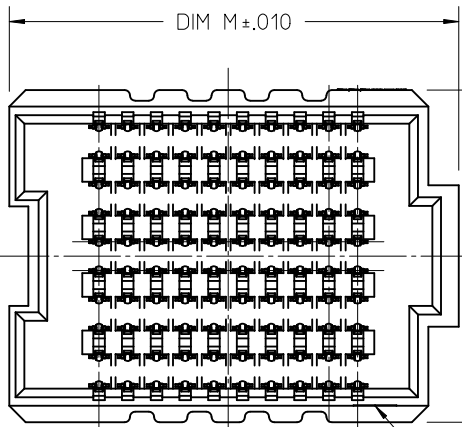
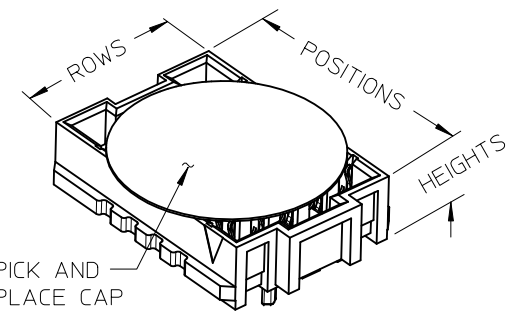
**PLEASE CHECK [WWW.MOLEX.COM](http://WWW.MOLEX.COM) FOR LATEST PART INFORMATION**



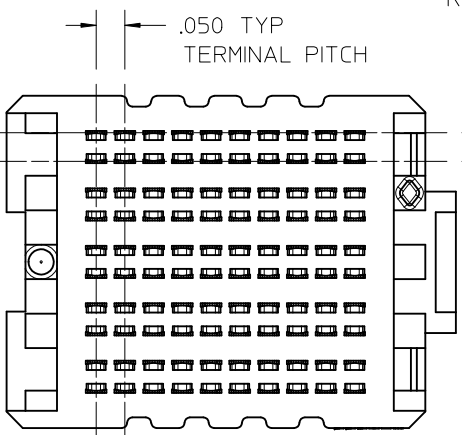
$\overline{\text{A}} .006$  ACROSS ALL SOLDER CHARGES

LEAD CODE:  
1 = TIN  
2 = TIN / LEAD

DATE CODE



ROW 1 / POSITION 1 ID THIS SIDE



NOTES:

- MATERIALS: HOUSING: LCP, UL94V-0, BLACK  
CONTACTS: COPPER ALLOY  
SOLDER CHARGE: SEE CHART
- FINISH: ALL OPTIONS - SELECT GOLD IN CONTACT AREA: 30 MI MIN  
OPTIONS 5.0: SELECT GOLD FLASH IN TAIL, 7 MI MIN  
OPTIONS 6.0 THRU 8.0: SELECT TIN IN TAIL, 100 MI MIN  
ALL OPTIONS - OVER NICKEL
- PRODUCT SPECIFICATION: PS-45970-001
- PACKAGING SPECIFICATION: SEE CHART
- MATES WITH SEARAY PLUG ASSEMBLY 45970
- APPLICATION SPECIFICATION: AS-45970-001
- COSMETIC SPECIFICATION: PS-45499-002 CLASS B
- PART STATUS: CONTACT MOLEX

|   |                    |                                       |  |                              |                              |   |   |                        |  |  |  |
|---|--------------------|---------------------------------------|--|------------------------------|------------------------------|---|---|------------------------|--|--|--|
| UPDATED NOTE 2<br>EC NO: UCP2010-2270<br>DRWN: TGREGOR I 2010/03/05<br>CHKD: JCOMERC I 2005/05/17<br>APPR: JCOMERC I 2010/03/05 | DESCRIPTION<br>REV | GENERAL TOLERANCES (UNLESS SPECIFIED) |  | DIMENSION STYLE<br>INCH ONLY |                              | SCALE<br>3:1  | DESIGN UNITS<br>INCH                                | THIRD ANGLE PROJECTION |  |  |  |
|   |                    |                                       | mm   | INCH                         | DRAWN BY<br>TGREGOR I        | DATE<br>2005/05/17  | TITLE<br>SEARAY RECEPTACLE ASSEMBLY<br>.050 CENTERS |                        |  |  |  |
|   |                    | 4 PLACES                              | ± ---  | ± ---                        | CHECKED BY<br>JCOMERC I      | DATE<br>2005/05/17  |   |                        |  |  |  |
|   |                    | 3 PLACES                              | ± ---  | ± .005                       | APPROVED BY<br>JCOMERC I     | DATE<br>2010/03/05  | MOLEX MOLEX INCORPORATED                            |                        |  |  |  |
| 2 PLACES  | ± ---              | ± ---                                 | MATERIAL NO.<br>SEE CHART                            |                              | DOCUMENT NO.<br>SD-45971-001 | SHEET NO.<br>1 OF 10  |   |                        |  |  |  |
| 1 PLACE   | ± ---              | ± ---                                 | DRAFT WHERE APPLICABLE MUST REMAIN WITHIN DIMENSIONS |                              |                              |   |   |                        |  |  |  |
|   |                    | ANGULAR ± ---°                        |  | SIZE<br>A                    |                              | THIS DRAWING CONTAINS INFORMATION THAT IS PROPRIETARY TO MOLEX INCORPORATED AND SHOULD NOT BE USED WITHOUT WRITTEN PERMISSION |   |                        |  |  |  |

6

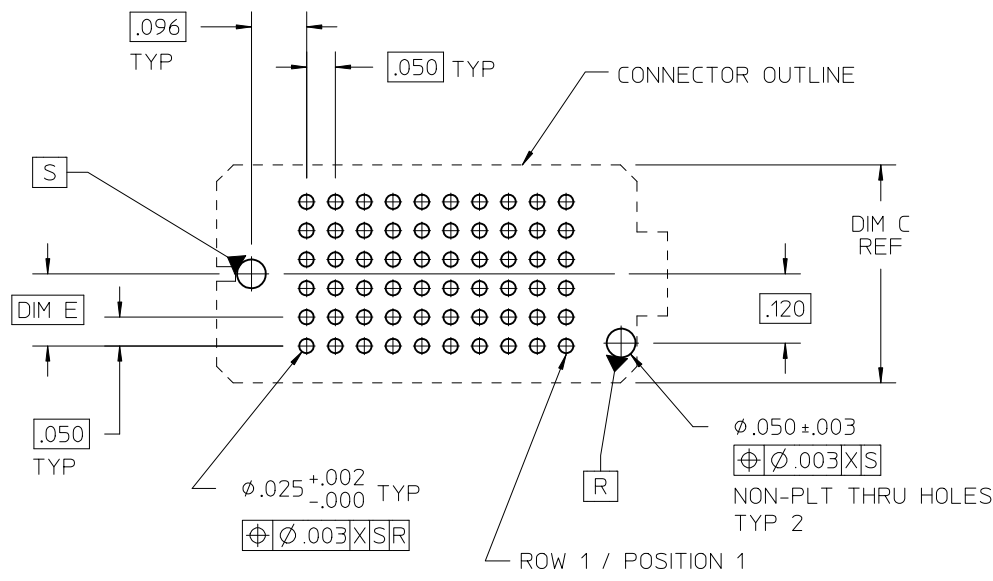
5

4

3

2

1

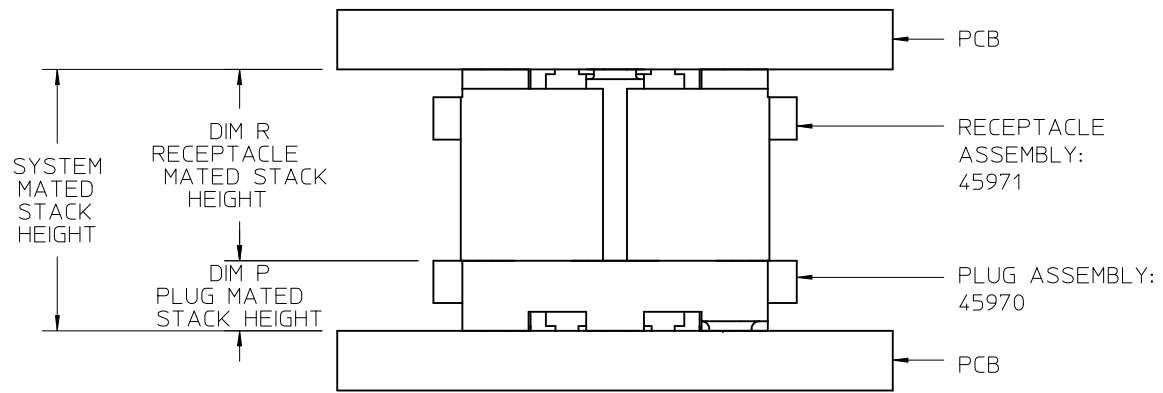


**F**  
 .005  
 MIN SOLDER  
 PASTE THICKNESS

| NO OF ROWS | DIM C | DIM E |
|------------|-------|-------|
| 6          | .378  | .125  |
| 8          | .478  | .175  |
| 10         | .578  | .225  |
| 12         | .678  | .275  |

RECOMMENDED PCB LAYOUT: COMPONENT SIDE  
 SOLDER SCREEN APERTURE SIZE: .035 **F**  
 PCB THICKNESS: NA

| DIM P<br>PLUG STACK HEIGHT | DIM R<br>RECEPTACLE STACK HEIGHT |      |      |      |      |     |
|----------------------------|----------------------------------|------|------|------|------|-----|
|                            | MM                               | 5.0  | 6.0  | 6.5  | 7.5  | 8.0 |
| 2.0                        | 7.0                              | 8.0  | 8.5  | 9.5  | 10.0 |     |
| 3.0                        | 8.0                              | 9.0  | 9.5  | 10.5 | 11.0 |     |
| 3.5                        | 8.5                              | 9.5  | 10.0 | 11.0 | 11.5 |     |
| 2.5                        | 7.5                              | 8.5  | 9.0  | 10.0 | 10.5 |     |
| 4.5                        | 9.5                              | 10.5 | 11.0 | 12.0 | 12.5 |     |
| 5.0                        | 10.0                             | 11.0 | 11.5 | 12.5 | 13.0 |     |
| 7.0                        | 12.0                             | 13.0 | 13.5 | 14.5 | 15.0 |     |



STACK HEIGHTS GIVEN IN METRIC FOR REF ONLY

MATED STACK HEIGHTS  
(MILLIMETERS) REF

|   |     |             |
|---|-----|-------------|
| SEE SHEET 1<br>EC NO: UCP2010-2270<br>DRWN: TGREGORI 2010/03/05<br>CHKD: JCOMERCI 2005/05/17<br>APPR: JCOMERCI 2010/03/05 | REV | DESCRIPTION |
|   | 0   |             |
|   |     |             |
|   |     |             |

| GENERAL TOLERANCES<br>(UNLESS SPECIFIED)                   |        |         |
|--|--------|---------|
|  | mm     | INCH    |
| 4 PLACES   | ± .005 | ± .0002 |
| 3 PLACES   | ± .005 | ± .0005 |
| 2 PLACES   | ± .005 | ± .0010 |
| 1 PLACE  | ± .005 | ± .0015 |
| ANGULAR ± .005°  |        |         |
| DRAFT WHERE APPLICABLE<br>MUST REMAIN<br>WITHIN DIMENSIONS |        |         |

| DIMENSION STYLE<br>INCH ONLY |            |
|------------------------------|------------|
| DRAWN BY                     | DATE       |
| TGREGORI                     | 2005/05/17 |
| CHECKED BY                   | DATE       |
| JCOMERCI                     | 2005/05/17 |
| APPROVED BY                  | DATE       |
| JCOMERCI                     | 2010/03/05 |
| MATERIAL NO.                 |            |
| SEE CHARTS                   |            |

|  |                      |                           |
|--|----------------------|---------------------------|
| SCALE<br>3:1   | DESIGN UNITS<br>INCH | THIRD ANGLE<br>PROJECTION |
| TITLE<br>SEARAY<br>RECEPTACLE ASSEMBLY<br>.050 CENTERS |                      |                           |
| MOLEX INCORPORATED                                     |                      |                           |
| DOCUMENT NO.<br>SD-45971-001                           | SHEET NO.<br>2 OF 10 |                           |

5

4

3


2

1

| 6                           |       | 5           |             | 4           |             | 3           |             | 2           |             | 1           |             |  |
|-----------------------------|-------|-------------|-------------|-------------|-------------|-------------|-------------|-------------|-------------|-------------|-------------|--|
| DIM R: (REF)                |       | 5.0 MM      |             | 6.0 MM      |             | 6.5 MM      |             | 7.5 MM      |             | 8.0 MM      |             | STACK HEIGHTS GIVEN IN METRIC FOR REF ONLY |
| DIM R:<br>HOUSING<br>HEIGHT |       |             |             |             |             |             |             |             |             |             |             |  |
|                             |       | .199        |             | .238        |             | .258        |             | .297        |             | .297        |             |  |
| POSITION                    | DIM M | MATERIAL NO | MATERIAL NO | MATERIAL NO | MATERIAL NO | MATERIAL NO | MATERIAL NO | MATERIAL NO | MATERIAL NO | MATERIAL NO | MATERIAL NO |  |
| 19                          | 1.232 | 45971-0161  | 45971-0261  | 45971-0361  | 45971-0461  | 45971-0561  | 45971-0661  | 45971-0761  | 45971-0861  | 45971-0961  | 45971-1061  |  |
| 10                          | 0.782 | 45971-1161  | 45971-1261  | 45971-1361  | 45971-1461  | 45971-1561  | 45971-1661  | 45971-1761  | 45971-1861  | 45971-1961  | 45971-2061  |  |
| 20                          | 1.282 | 45971-2161  | 45971-2261  | 45971-2361  | 45971-2461  | 45971-2561  | 45971-2661  | 45971-2761  | 45971-2861  | 45971-2961  | 45971-3061  |  |
| 30                          | 1.782 | 45971-3161  | 45971-3261  | 45971-3361  | 45971-3461  | 45971-3561  | 45971-3661  | 45971-3761  | 45971-3861  | 45971-3961  | 45971-4061  |  |
| 40                          | 2.282 | 45971-4161  | 45971-4261  | 45971-4361  | 45971-4461  | 45971-4561  | 45971-4661  | 45971-4761  | 45971-4861  | 45971-4961  | 45971-5061  |  |
| 50                          | 2.782 | 45971-5161  | 45971-5261  | 45971-5361  | 45971-5461  | 45971-5561  | 45971-5661  | 45971-5761  | 45971-5861  | 45971-5961  | 45971-6061  |  |
| 15                          | 1.032 | 45971-6161  | 45971-6261  | 45971-6361  | 45971-6461  | 45971-6561  | 45971-6661  | 45971-6761  | 45971-6861  | 45971-6961  | 45971-7061  |  |
| 25                          | 1.532 | 45971-7161  | 45971-7261  | 45971-7361  | 45971-7461  | 45971-7561  | 45971-7661  | 45971-7761  | 45971-7861  | 45971-7961  | 45971-8061  |  |
| 35                          | 2.032 | 45971-8161  | 45971-8261  | 45971-8361  | 45971-8461  | 45971-8561  | 45971-8661  | 45971-8761  | 45971-8861  | 45971-8961  | 45971-9061  |  |
| 45                          | 2.532 | 45971-9161  | 45971-9261  | 45971-9361  | 45971-9461  | 45971-9561  | 45971-9661  | 45971-9761  | 45971-9861  | 45971-9961  | 45971-10061 |  |

| 6                           |       | 5           |             | 4           |             | 3           |             | 2           |             | 1           |             |  |
|-----------------------------|-------|-------------|-------------|-------------|-------------|-------------|-------------|-------------|-------------|-------------|-------------|--|
| DIM R: (REF)                |       | 5.0 MM      |             | 6.0 MM      |             | 6.5 MM      |             | 7.5 MM      |             | 8.0 MM      |             | STACK HEIGHTS GIVEN IN METRIC FOR REF ONLY |
| DIM R:<br>HOUSING<br>HEIGHT |       |             |             |             |             |             |             |             |             |             |             |  |
|                             |       | .199        |             | .238        |             | .258        |             | .297        |             | .297        |             |  |
| POSITION                    | DIM M | MATERIAL NO | MATERIAL NO | MATERIAL NO | MATERIAL NO | MATERIAL NO | MATERIAL NO | MATERIAL NO | MATERIAL NO | MATERIAL NO | MATERIAL NO |  |
| 19                          | 1.232 | 45971-0165  | 45971-0265  | 45971-0365  | 45971-0465  | 45971-0565  | 45971-0665  | 45971-0765  | 45971-0865  | 45971-0965  | 45971-1065  |  |
| 10                          | 0.782 | 45971-1165  | 45971-1265  | 45971-1365  | 45971-1465  | 45971-1565  | 45971-1665  | 45971-1765  | 45971-1865  | 45971-1965  | 45971-2065  |  |
| 20                          | 1.282 | 45971-2165  | 45971-2265  | 45971-2365  | 45971-2465  | 45971-2565  | 45971-2665  | 45971-2765  | 45971-2865  | 45971-2965  | 45971-3065  |  |
| 30                          | 1.782 | 45971-3165  | 45971-3265  | 45971-3365  | 45971-3465  | 45971-3565  | 45971-3665  | 45971-3765  | 45971-3865  | 45971-3965  | 45971-4065  |  |
| 40                          | 2.282 | 45971-4165  | 45971-4265  | 45971-4365  | 45971-4465  | 45971-4565  | 45971-4665  | 45971-4765  | 45971-4865  | 45971-4965  | 45971-5065  |  |
| 50                          | 2.782 | 45971-5165  | 45971-5265  | 45971-5365  | 45971-5465  | 45971-5565  | 45971-5665  | 45971-5765  | 45971-5865  | 45971-5965  | 45971-6065  |  |
| 15                          | 1.032 | 45971-6165  | 45971-6265  | 45971-6365  | 45971-6465  | 45971-6565  | 45971-6665  | 45971-6765  | 45971-6865  | 45971-6965  | 45971-7065  |  |
| 25                          | 1.532 | 45971-7165  | 45971-7265  | 45971-7365  | 45971-7465  | 45971-7565  | 45971-7665  | 45971-7765  | 45971-7865  | 45971-7965  | 45971-8065  |  |
| 35                          | 2.032 | 45971-8165  | 45971-8265  | 45971-8365  | 45971-8465  | 45971-8565  | 45971-8665  | 45971-8765  | 45971-8865  | 45971-8965  | 45971-9065  |  |
| 45                          | 2.532 | 45971-9165  | 45971-9265  | 45971-9365  | 45971-9465  | 45971-9565  | 45971-9665  | 45971-9765  | 45971-9865  | 45971-9965  | 45971-10065 |  |

NOTES:  
 1. THIS SHEET CONTAINS THE FOLLOWING OPTIONS  
 NO OF ROWS: 6  
 SOLDER CHARGE: TIN  
 PACKAGING: TRAYS AND TAPE AND REEL

|  |                    |                                       |   |                                     |                         |                     |   |                        |  |  |
|--|--------------------|---------------------------------------|---|-------------------------------------|-------------------------|---------------------|---|------------------------|--|--|
| SEE SHEET 1<br>EC NO: UCP2010-2270<br>DRWN: TGREGORI 2010/03/05<br>CH'KD: JCOMERCI 2005/05/17<br>APPR: JCOMERCI 2010/03/05 | DESCRIPTION<br>REV | GENERAL TOLERANCES (UNLESS SPECIFIED) |   | DIMENSION STYLE<br><b>INCH ONLY</b> |                         | SCALE<br><b>1:1</b> | DESIGN UNITS<br><b>INCH</b>   | THIRD ANGLE PROJECTION |  |  |
|  |                    |                                       | mm  | INCH                                | DRAWN BY<br>TGREGORI    | DATE<br>2005/05/17  | TITLE<br><b>SEARAY RECEPTACLE ASSEMBLY .050 CENTERS</b>   |                        |  |  |
|  |                    | 4 PLACES                              | ± ---   | ± ---                               | CHECKED BY<br>JCOMERCI  | DATE<br>2005/05/17  |   |                        |  |  |
|  |                    | 3 PLACES                              | ± ---   | ± .005                              | APPROVED BY<br>JCOMERCI | DATE<br>2010/03/05  |  <b>MOLEX INCORPORATED</b><br>DOCUMENT NO. <b>SD-45971-001</b> |                        |  |  |
|  |                    | 2 PLACES                              | ± ---   | ± ---                               | MATERIAL NO.            |                     |   |                        |  |  |
| 1 PLACE  | ± ---              | ± ---                                 | <b>SEE CHART</b><br>THIS DRAWING CONTAINS INFORMATION THAT IS PROPRIETARY TO MOLEX INCORPORATED AND SHOULD NOT BE USED WITHOUT WRITTEN PERMISSION |                                     | SHEET NO.<br>3 OF 10    |                     |   |                        |  |  |
| DRAFT WHERE APPLICABLE MUST REMAIN WITHIN DIMENSIONS   |                    | ANGULAR ± ---°                        |   |                                     |                         |                     |   |                        |  |  |

| 6                           |       | 5          |            | 4           |            | 3           |  |
|-----------------------------|-------|------------|------------|-------------|------------|-------------|--|
| DIM R: (REF)                |       | 5.0 MM     |            | 6.0 MM      |            | 8.0 MM      |  |
| DIM R:<br>HOUSING<br>HEIGHT |       |            |            |             |            |             |  |
| POSITION                    |       | DIM M      |            | MATERIAL NO |            | MATERIAL NO |  |
| 19                          | 1.232 | 45971-0163 | 45971-0263 | 45971-0363  | 45971-0463 | 45971-0563  |  |
| 10                          | 0.782 | 45971-1163 | 45971-1263 | 45971-1363  | 45971-1463 | 45971-1563  |  |
| 20                          | 1.282 | 45971-2163 | 45971-2263 | 45971-2363  | 45971-2463 | 45971-2563  |  |
| 30                          | 1.782 | 45971-3163 | 45971-3263 | 45971-3363  | 45971-3463 | 45971-3563  |  |
| 40                          | 2.282 | 45971-4163 | 45971-4263 | 45971-4363  | 45971-4463 | 45971-4563  |  |
| 50                          | 2.782 | 45971-5163 | 45971-5263 | 45971-5363  | 45971-5463 | 45971-5563  |  |
| 15                          | 1.032 | 45971-6163 | 45971-6263 | 45971-6363  | 45971-6463 | 45971-6563  |  |
| 25                          | 1.532 | 45971-7163 | 45971-7263 | 45971-7363  | 45971-7463 | 45971-7563  |  |
| 35                          | 2.032 | 45971-8163 | 45971-8263 | 45971-8363  | 45971-8463 | 45971-8563  |  |
| 45                          | 2.532 | 45971-9163 | 45971-9263 | 45971-9363  | 45971-9463 | 45971-9563  |  |

STACK HEIGHTS GIVEN IN METRIC FOR REF ONLY

| 6                           |       | 5          |            | 4           |            | 3           |  |
|-----------------------------|-------|------------|------------|-------------|------------|-------------|--|
| DIM R: (REF)                |       | 5.0 MM     |            | 6.0 MM      |            | 8.0 MM      |  |
| DIM R:<br>HOUSING<br>HEIGHT |       |            |            |             |            |             |  |
| POSITION                    |       | DIM M      |            | MATERIAL NO |            | MATERIAL NO |  |
| 19                          | 1.232 | 45971-0167 | 45971-0267 | 45971-0367  | 45971-0467 | 45971-0567  |  |
| 10                          | 0.782 | 45971-1167 | 45971-1267 | 45971-1367  | 45971-1467 | 45971-1567  |  |
| 20                          | 1.282 | 45971-2167 | 45971-2267 | 45971-2367  | 45971-2467 | 45971-2567  |  |
| 30                          | 1.782 | 45971-3167 | 45971-3267 | 45971-3367  | 45971-3467 | 45971-3567  |  |
| 40                          | 2.282 | 45971-4167 | 45971-4267 | 45971-4367  | 45971-4467 | 45971-4567  |  |
| 50                          | 2.782 | 45971-5167 | 45971-5267 | 45971-5367  | 45971-5467 | 45971-5567  |  |
| 15                          | 1.032 | 45971-6167 | 45971-6267 | 45971-6367  | 45971-6467 | 45971-6567  |  |
| 25                          | 1.532 | 45971-7167 | 45971-7267 | 45971-7367  | 45971-7467 | 45971-7567  |  |
| 35                          | 2.032 | 45971-8167 | 45971-8267 | 45971-8367  | 45971-8467 | 45971-8567  |  |
| 45                          | 2.532 | 45971-9167 | 45971-9267 | 45971-9367  | 45971-9467 | 45971-9567  |  |

STACK HEIGHTS GIVEN IN METRIC FOR REF ONLY

NOTES:  
 1. THIS SHEET CONTAINS THE FOLLOWING OPTIONS  
 NO OF ROWS: 6  
 SOLDER CHARGE: TIN / LEAD  
 PACKAGING: TRAYS AND TAPE AND REEL

|   |                    |                                       |                |                                     |  |                     |  |                        |  |
|---|--------------------|---------------------------------------|----------------|-------------------------------------|--|---------------------|--|------------------------|--|
| SEE SHEET 1<br>EC NO: UCP2010-2270<br>DRWN: TGREGORI 2010/03/05<br>CHKD: JCOMERC I 2005/05/17<br>APPR: JCOMERC I 2010/03/05 | DESCRIPTION<br>REV | GENERAL TOLERANCES (UNLESS SPECIFIED) |                | DIMENSION STYLE<br><b>INCH ONLY</b> |  | SCALE<br><b>1:1</b> | DESIGN UNITS<br><b>INCH</b>  | THIRD ANGLE PROJECTION |  |
|   |                    |                                       | mm             | INCH                                | DRAWN BY<br>TGREGORI                                 | DATE<br>2005/05/17  | TITLE<br><b>SEARAY<br/>         RECEPTACLE ASSEMBLY<br/>         .050 CENTERS</b><br><br><b>MOLEX INCORPORATED</b><br>DOCUMENT NO. SD-45971-001<br>SHEET NO. 4 OF 10 |                        |  |
|   |                    | 4 PLACES                              | ± ---          | ± ---                               | CHECKED BY<br>JCOMERC I                              | DATE<br>2005/05/17  |  |                        |  |
|   |                    | 3 PLACES                              | ± ---          | ± .005                              | APPROVED BY<br>JCOMERC I                             | DATE<br>2010/03/05  |  |                        |  |
|   |                    | 2 PLACES                              | ± ---          | ± ---                               | MATERIAL NO.   | SEE CHART           |  |                        |  |
| 1 PLACE   | ± ---              | ± ---                                 | ANGULAR ± ---° |                                     | DRAFT WHERE APPLICABLE MUST REMAIN WITHIN DIMENSIONS |                     | THIS DRAWING CONTAINS INFORMATION THAT IS PROPRIETARY TO MOLEX INCORPORATED AND SHOULD NOT BE USED WITHOUT WRITTEN PERMISSION  |                        |  |

| 6                           |       | 5           |             | 4           |             | 3           |             | 2           |             | 1           |             |  |
|-----------------------------|-------|-------------|-------------|-------------|-------------|-------------|-------------|-------------|-------------|-------------|-------------|--|
| DIM R: (REF)                |       | 5.0 MM      |             | 6.0 MM      |             | 6.5 MM      |             | 7.5 MM      |             | 8.0 MM      |             | STACK HEIGHTS GIVEN IN METRIC FOR REF ONLY |
| DIM R:<br>HOUSING<br>HEIGHT |       |             |             |             |             |             |             |             |             |             |             |  |
|                             |       | .199        |             | .238        |             | .258        |             | .297        |             | .297        |             |  |
| POSITION                    | DIM M | MATERIAL NO | MATERIAL NO | MATERIAL NO | MATERIAL NO | MATERIAL NO | MATERIAL NO | MATERIAL NO | MATERIAL NO | MATERIAL NO | MATERIAL NO |  |
| 19                          | 1.232 | 45971-0181  | 45971-0281  | 45971-0381  | 45971-0481  | 45971-0581  | 45971-0681  | 45971-0781  | 45971-0881  | 45971-0981  | 45971-1081  |  |
| 10                          | 0.782 | 45971-1181  | 45971-1281  | 45971-1381  | 45971-1481  | 45971-1581  | 45971-1681  | 45971-1781  | 45971-1881  | 45971-1981  | 45971-2081  |  |
| 20                          | 1.282 | 45971-2181  | 45971-2281  | 45971-2381  | 45971-2481  | 45971-2581  | 45971-2681  | 45971-2781  | 45971-2881  | 45971-2981  | 45971-3081  |  |
| 30                          | 1.782 | 45971-3181  | 45971-3281  | 45971-3381  | 45971-3481  | 45971-3581  | 45971-3681  | 45971-3781  | 45971-3881  | 45971-3981  | 45971-4081  |  |
| 40                          | 2.282 | 45971-4181  | 45971-4281  | 45971-4381  | 45971-4481  | 45971-4581  | 45971-4681  | 45971-4781  | 45971-4881  | 45971-4981  | 45971-5081  |  |
| 50                          | 2.782 | 45971-5181  | 45971-5281  | 45971-5381  | 45971-5481  | 45971-5581  | 45971-5681  | 45971-5781  | 45971-5881  | 45971-5981  | 45971-6081  |  |
| 15                          | 1.032 | 45971-6181  | 45971-6281  | 45971-6381  | 45971-6481  | 45971-6581  | 45971-6681  | 45971-6781  | 45971-6881  | 45971-6981  | 45971-7081  |  |
| 25                          | 1.532 | 45971-7181  | 45971-7281  | 45971-7381  | 45971-7481  | 45971-7581  | 45971-7681  | 45971-7781  | 45971-7881  | 45971-7981  | 45971-8081  |  |
| 35                          | 2.032 | 45971-8181  | 45971-8281  | 45971-8381  | 45971-8481  | 45971-8581  | 45971-8681  | 45971-8781  | 45971-8881  | 45971-8981  | 45971-9081  |  |
| 45                          | 2.532 | 45971-9181  | 45971-9281  | 45971-9381  | 45971-9481  | 45971-9581  | 45971-9681  | 45971-9781  | 45971-9881  | 45971-9981  | 45971-10081 |  |

| 6                           |       | 5           |             | 4           |             | 3           |             | 2           |             | 1           |             |  |
|-----------------------------|-------|-------------|-------------|-------------|-------------|-------------|-------------|-------------|-------------|-------------|-------------|--|
| DIM R: (REF)                |       | 5.0 MM      |             | 6.0 MM      |             | 6.5 MM      |             | 7.5 MM      |             | 8.0 MM      |             | STACK HEIGHTS GIVEN IN METRIC FOR REF ONLY |
| DIM R:<br>HOUSING<br>HEIGHT |       |             |             |             |             |             |             |             |             |             |             |  |
|                             |       | .199        |             | .238        |             | .258        |             | .297        |             | .297        |             |  |
| POSITION                    | DIM M | MATERIAL NO | MATERIAL NO | MATERIAL NO | MATERIAL NO | MATERIAL NO | MATERIAL NO | MATERIAL NO | MATERIAL NO | MATERIAL NO | MATERIAL NO |  |
| 19                          | 1.232 | 45971-0185  | 45971-0285  | 45971-0385  | 45971-0485  | 45971-0585  | 45971-0685  | 45971-0785  | 45971-0885  | 45971-0985  | 45971-1085  |  |
| 10                          | 0.782 | 45971-1185  | 45971-1285  | 45971-1385  | 45971-1485  | 45971-1585  | 45971-1685  | 45971-1785  | 45971-1885  | 45971-1985  | 45971-2085  |  |
| 20                          | 1.282 | 45971-2185  | 45971-2285  | 45971-2385  | 45971-2485  | 45971-2585  | 45971-2685  | 45971-2785  | 45971-2885  | 45971-2985  | 45971-3085  |  |
| 30                          | 1.782 | 45971-3185  | 45971-3285  | 45971-3385  | 45971-3485  | 45971-3585  | 45971-3685  | 45971-3785  | 45971-3885  | 45971-3985  | 45971-4085  |  |
| 40                          | 2.282 | 45971-4185  | 45971-4285  | 45971-4385  | 45971-4485  | 45971-4585  | 45971-4685  | 45971-4785  | 45971-4885  | 45971-4985  | 45971-5085  |  |
| 50                          | 2.782 | 45971-5185  | 45971-5285  | 45971-5385  | 45971-5485  | 45971-5585  | 45971-5685  | 45971-5785  | 45971-5885  | 45971-5985  | 45971-6085  |  |
| 15                          | 1.032 | 45971-6185  | 45971-6285  | 45971-6385  | 45971-6485  | 45971-6585  | 45971-6685  | 45971-6785  | 45971-6885  | 45971-6985  | 45971-7085  |  |
| 25                          | 1.532 | 45971-7185  | 45971-7285  | 45971-7385  | 45971-7485  | 45971-7585  | 45971-7685  | 45971-7785  | 45971-7885  | 45971-7985  | 45971-8085  |  |
| 35                          | 2.032 | 45971-8185  | 45971-8285  | 45971-8385  | 45971-8485  | 45971-8585  | 45971-8685  | 45971-8785  | 45971-8885  | 45971-8985  | 45971-9085  |  |
| 45                          | 2.532 | 45971-9185  | 45971-9285  | 45971-9385  | 45971-9485  | 45971-9585  | 45971-9685  | 45971-9785  | 45971-9885  | 45971-9985  | 45971-10085 |  |

NOTES:  
 1. THIS SHEET CONTAINS THE FOLLOWING OPTIONS  
 NO OF ROWS: 8  
 SOLDER CHARGE: TIN  
 PACKAGING: TRAYS AND TAPE AND REEL

|  |                    |                                       |                  |                                     |   |                     |   |                        |  |  |
|--|--------------------|---------------------------------------|------------------|-------------------------------------|---|---------------------|---|------------------------|--|--|
| SEE SHEET 1<br>EC NO: UCP2010-2270<br>DRWN: TGREGORI 2010/03/05<br>CH'KD: JCOMERCI 2005/05/17<br>APPR: JCOMERCI 2010/03/05 | DESCRIPTION<br>REV | GENERAL TOLERANCES (UNLESS SPECIFIED) |                  | DIMENSION STYLE<br><b>INCH ONLY</b> |   | SCALE<br><b>1:1</b> | DESIGN UNITS<br><b>INCH</b>   | THIRD ANGLE PROJECTION |  |  |
|  |                    |                                       | mm               | INCH                                | DRAWN BY<br>TGREGORI  | DATE<br>2005/05/17  | TITLE<br><b>SEARAY RECEPTACLE ASSEMBLY .050 CENTERS</b><br><br><b>MOLEX INCORPORATED</b><br>DOCUMENT NO. <b>SD-45971-001</b> SHEET NO. <b>5 OF 10</b> |                        |  |  |
|  |                    | 4 PLACES                              | ± .005           | ± .005                              | CHECKED BY<br>JCOMERCI  | DATE<br>2005/05/17  |   |                        |  |  |
|  |                    | 3 PLACES                              | ± .005           | ± .005                              | APPROVED BY<br>JCOMERCI   | DATE<br>2010/03/05  |   |                        |  |  |
|  |                    | 2 PLACES                              | ± .005           | ± .005                              | MATERIAL NO.  |                     |   |                        |  |  |
| 1 PLACE  | ± .005             | ± .005                                | ANGULAR ± .005°  |                                     | <b>SEE CHART</b>  |                     |   |                        |  |  |
| DRAFT WHERE APPLICABLE MUST REMAIN WITHIN DIMENSIONS   |                    |                                       | SIZE<br><b>A</b> |                                     | THIS DRAWING CONTAINS INFORMATION THAT IS PROPRIETARY TO MOLEX INCORPORATED AND SHOULD NOT BE USED WITHOUT WRITTEN PERMISSION |                     |   |                        |  |  |

|                             |       |             |             |             |             |             |             |             |             |             |             |
|-----------------------------|-------|-------------|-------------|-------------|-------------|-------------|-------------|-------------|-------------|-------------|-------------|
| 6                           |       | 5           |             | 4           |             | 3           |             | 2           |             | 1           |             |
| DIM R: (REF)                |       | 5.0 MM      |             | 6.0 MM      |             | 6.5 MM      |             | 7.5 MM      |             | 8.0 MM      |             |
| DIM R:<br>HOUSING<br>HEIGHT |       |             |             |             |             |             |             |             |             |             |             |
|                             |       | .199        |             | .238        |             | .258        |             | .297        |             | .297        |             |
| POSITION                    | DIM M | MATERIAL NO | MATERIAL NO | MATERIAL NO | MATERIAL NO | MATERIAL NO | MATERIAL NO | MATERIAL NO | MATERIAL NO | MATERIAL NO | MATERIAL NO |
| 19                          | 1.232 | 45971-0183  | 45971-0283  | 45971-0383  | 45971-0483  | 45971-0583  | 45971-0683  | 45971-0783  | 45971-0883  | 45971-0983  | 45971-1083  |
| 10                          | 0.782 | 45971-1183  | 45971-1283  | 45971-1383  | 45971-1483  | 45971-1583  | 45971-1683  | 45971-1783  | 45971-1883  | 45971-1983  | 45971-2083  |
| 20                          | 1.282 | 45971-2183  | 45971-2283  | 45971-2383  | 45971-2483  | 45971-2583  | 45971-2683  | 45971-2783  | 45971-2883  | 45971-2983  | 45971-3083  |
| 30                          | 1.782 | 45971-3183  | 45971-3283  | 45971-3383  | 45971-3483  | 45971-3583  | 45971-3683  | 45971-3783  | 45971-3883  | 45971-3983  | 45971-4083  |
| 40                          | 2.282 | 45971-4183  | 45971-4283  | 45971-4383  | 45971-4483  | 45971-4583  | 45971-4683  | 45971-4783  | 45971-4883  | 45971-4983  | 45971-5083  |
| 50                          | 2.782 | 45971-5183  | 45971-5283  | 45971-5383  | 45971-5483  | 45971-5583  | 45971-5683  | 45971-5783  | 45971-5883  | 45971-5983  | 45971-6083  |
| 15                          | 1.032 | 45971-6183  | 45971-6283  | 45971-6383  | 45971-6483  | 45971-6583  | 45971-6683  | 45971-6783  | 45971-6883  | 45971-6983  | 45971-7083  |
| 25                          | 1.532 | 45971-7183  | 45971-7283  | 45971-7383  | 45971-7483  | 45971-7583  | 45971-7683  | 45971-7783  | 45971-7883  | 45971-7983  | 45971-8083  |
| 35                          | 2.032 | 45971-8183  | 45971-8283  | 45971-8383  | 45971-8483  | 45971-8583  | 45971-8683  | 45971-8783  | 45971-8883  | 45971-8983  | 45971-9083  |
| 45                          | 2.532 | 45971-9183  | 45971-9283  | 45971-9383  | 45971-9483  | 45971-9583  | 45971-9683  | 45971-9783  | 45971-9883  | 45971-9983  | 45971-10083 |

STACK HEIGHTS GIVEN IN METRIC FOR REF ONLY

|                             |       |             |             |             |             |             |             |             |             |             |             |
|-----------------------------|-------|-------------|-------------|-------------|-------------|-------------|-------------|-------------|-------------|-------------|-------------|
| 6                           |       | 5           |             | 4           |             | 3           |             | 2           |             | 1           |             |
| DIM R: (REF)                |       | 5.0 MM      |             | 6.0 MM      |             | 6.5 MM      |             | 7.5 MM      |             | 8.0 MM      |             |
| DIM R:<br>HOUSING<br>HEIGHT |       |             |             |             |             |             |             |             |             |             |             |
|                             |       | .199        |             | .238        |             | .258        |             | .297        |             | .297        |             |
| POSITION                    | DIM M | MATERIAL NO | MATERIAL NO | MATERIAL NO | MATERIAL NO | MATERIAL NO | MATERIAL NO | MATERIAL NO | MATERIAL NO | MATERIAL NO | MATERIAL NO |
| 19                          | 1.232 | 45971-0187  | 45971-0287  | 45971-0387  | 45971-0487  | 45971-0587  | 45971-0687  | 45971-0787  | 45971-0887  | 45971-0987  | 45971-1087  |
| 10                          | 0.782 | 45971-1187  | 45971-1287  | 45971-1387  | 45971-1487  | 45971-1587  | 45971-1687  | 45971-1787  | 45971-1887  | 45971-1987  | 45971-2087  |
| 20                          | 1.282 | 45971-2187  | 45971-2287  | 45971-2387  | 45971-2487  | 45971-2587  | 45971-2687  | 45971-2787  | 45971-2887  | 45971-2987  | 45971-3087  |
| 30                          | 1.782 | 45971-3187  | 45971-3287  | 45971-3387  | 45971-3487  | 45971-3587  | 45971-3687  | 45971-3787  | 45971-3887  | 45971-3987  | 45971-4087  |
| 40                          | 2.282 | 45971-4187  | 45971-4287  | 45971-4387  | 45971-4487  | 45971-4587  | 45971-4687  | 45971-4787  | 45971-4887  | 45971-4987  | 45971-5087  |
| 50                          | 2.782 | 45971-5187  | 45971-5287  | 45971-5387  | 45971-5487  | 45971-5587  | 45971-5687  | 45971-5787  | 45971-5887  | 45971-5987  | 45971-6087  |
| 15                          | 1.032 | 45971-6187  | 45971-6287  | 45971-6387  | 45971-6487  | 45971-6587  | 45971-6687  | 45971-6787  | 45971-6887  | 45971-6987  | 45971-7087  |
| 25                          | 1.532 | 45971-7187  | 45971-7287  | 45971-7387  | 45971-7487  | 45971-7587  | 45971-7687  | 45971-7787  | 45971-7887  | 45971-7987  | 45971-8087  |
| 35                          | 2.032 | 45971-8187  | 45971-8287  | 45971-8387  | 45971-8487  | 45971-8587  | 45971-8687  | 45971-8787  | 45971-8887  | 45971-8987  | 45971-9087  |
| 45                          | 2.532 | 45971-9187  | 45971-9287  | 45971-9387  | 45971-9487  | 45971-9587  | 45971-9687  | 45971-9787  | 45971-9887  | 45971-9987  | 45971-10087 |

STACK HEIGHTS GIVEN IN METRIC FOR REF ONLY

NOTES:  
 1. THIS SHEET CONTAINS THE FOLLOWING OPTIONS  
 NO OF ROWS: 8  
 SOLDER CHARGE: TIN / LEAD  
 PACKAGING: TRAYS AND TAPE AND REEL

TRAY PACK PK-45971-001

TRAY PACK PK-45971-002

SEE SHEET 1  
 EC NO: UCP2010-2270  
 DRWN: TGREGORI 2010/03/05  
 CH'KD: JCOMERCI 2005/05/17  
 APPR: JCOMERCI 2010/03/05

DESCRIPTION

REV

|  |       |        |                              |  |   |                      |                           |
|--|-------|--------|------------------------------|--|---|----------------------|---------------------------|
| GENERAL TOLERANCES<br>(UNLESS SPECIFIED)                   |       |        | DIMENSION STYLE<br>INCH ONLY |  | SCALE<br>1:1                                  | DESIGN UNITS<br>INCH | THIRD ANGLE<br>PROJECTION |
|  | mm    | INCH   | DRAWN BY                     | DATE   | TITLE   |                      |                           |
| 4 PLACES   | ± --- | ± ---  | TGREGORI                     | 2005/05/17   | SEARAY<br>RECEPTACLE ASSEMBLY<br>.050 CENTERS |                      |                           |
| 3 PLACES   | ± --- | ± .005 | CHECKED BY                   | DATE   |   |                      |                           |
| 2 PLACES   | ± --- | ± ---  | JCOMERCI                     | 2005/05/17   |   |                      |                           |
| 1 PLACE  | ± --- | ± ---  | APPROVED BY                  | DATE   |   |                      |                           |
| ANGULAR ± ---°   |       |        | JCOMERCI                     | 2010/03/05   | MOLEX INCORPORATED                            |                      |                           |
| DRAFT WHERE APPLICABLE<br>MUST REMAIN<br>WITHIN DIMENSIONS |       |        | MATERIAL NO.<br>SEE CHART    |  | DOCUMENT NO.<br>SD-45971-001                  | SHEET NO.<br>6 OF 10 |                           |
|  |       |        | SIZE<br>A                    | THIS DRAWING CONTAINS INFORMATION THAT IS PROPRIETARY TO MOLEX<br>INCORPORATED AND SHOULD NOT BE USED WITHOUT WRITTEN PERMISSION |   |                      |                           |



| 6                           |       | 5           |            | 4           |            | 3           |  |
|-----------------------------|-------|-------------|------------|-------------|------------|-------------|--|
| DIM R: (REF)                |       | 5.0 MM      |            | 6.0 MM      |            | 8.0 MM      |  |
| DIM R:<br>HOUSING<br>HEIGHT |       |             |            |             |            |             |  |
| POSITION                    |       | MATERIAL NO |            | MATERIAL NO |            | MATERIAL NO |  |
| 19                          | 1.232 | 45971-0111  | 45971-0211 | 45971-0311  | 45971-0411 | 45971-0511  |  |
| 10                          | 0.782 | 45971-1111  | 45971-1211 | 45971-1311  | 45971-1411 | 45971-1511  |  |
| 20                          | 1.282 | 45971-2111  | 45971-2211 | 45971-2311  | 45971-2411 | 45971-2511  |  |
| 30                          | 1.782 | 45971-3111  | 45971-3211 | 45971-3311  | 45971-3411 | 45971-3511  |  |
| 40                          | 2.282 | 45971-4111  | 45971-4211 | 45971-4311  | 45971-4411 | 45971-4511  |  |
| 50                          | 2.782 | 45971-5111  | 45971-5211 | 45971-5311  | 45971-5411 | 45971-5511  |  |
| 15                          | 1.032 | 45971-6111  | 45971-6211 | 45971-6311  | 45971-6411 | 45971-6511  |  |
| 25                          | 1.532 | 45971-7111  | 45971-7211 | 45971-7311  | 45971-7411 | 45971-7511  |  |
| 35                          | 2.032 | 45971-8111  | 45971-8211 | 45971-8311  | 45971-8411 | 45971-8511  |  |
| 45                          | 2.532 | 45971-9111  | 45971-9211 | 45971-9311  | 45971-9411 | 45971-9511  |  |

STACK HEIGHTS GIVEN IN METRIC FOR REF ONLY

| 6                           |       | 5           |            | 4           |            | 3           |  |
|-----------------------------|-------|-------------|------------|-------------|------------|-------------|--|
| DIM R: (REF)                |       | 5.0 MM      |            | 6.0 MM      |            | 8.0 MM      |  |
| DIM R:<br>HOUSING<br>HEIGHT |       |             |            |             |            |             |  |
| POSITION                    |       | MATERIAL NO |            | MATERIAL NO |            | MATERIAL NO |  |
| 19                          | 1.232 | 45971-0115  | 45971-0215 | 45971-0315  | 45971-0415 | 45971-0515  |  |
| 10                          | 0.782 | 45971-1115  | 45971-1215 | 45971-1315  | 45971-1415 | 45971-1515  |  |
| 20                          | 1.282 | 45971-2115  | 45971-2215 | 45971-2315  | 45971-2415 | 45971-2515  |  |
| 30                          | 1.782 | 45971-3115  | 45971-3215 | 45971-3315  | 45971-3415 | 45971-3515  |  |
| 40                          | 2.282 | 45971-4115  | 45971-4215 | 45971-4315  | 45971-4415 | 45971-4515  |  |
| 50                          | 2.782 | 45971-5115  | 45971-5215 | 45971-5315  | 45971-5415 | 45971-5515  |  |
| 15                          | 1.032 | 45971-6115  | 45971-6215 | 45971-6315  | 45971-6415 | 45971-6515  |  |
| 25                          | 1.532 | 45971-7115  | 45971-7215 | 45971-7315  | 45971-7415 | 45971-7515  |  |
| 35                          | 2.032 | 45971-8115  | 45971-8215 | 45971-8315  | 45971-8415 | 45971-8515  |  |
| 45                          | 2.532 | 45971-9115  | 45971-9215 | 45971-9315  | 45971-9415 | 45971-9515  |  |

STACK HEIGHTS GIVEN IN METRIC FOR REF ONLY

|  |             |
|--|-------------|
| SEE SHEET 1<br>EC NO: UCP2010-2270<br>DRWN: TGREGORI 2010/03/05<br>CH'KD: JCOMERC I 2005/05/17<br>APPR: JCOMERC I 2010/03/05 | DESCRIPTION |
|  | REV         |
|  | 0           |

| GENERAL TOLERANCES (UNLESS SPECIFIED)                |        |         |
|--|--------|---------|
|  | mm     | INCH    |
| 4 PLACES   | ± .005 | ± .0005 |
| 3 PLACES   | ± .005 | ± .0005 |
| 2 PLACES   | ± .005 | ± .0005 |
| 1 PLACE  | ± .005 | ± .0005 |
| ANGULAR ± .005°                                      |        |         |
| DRAFT WHERE APPLICABLE MUST REMAIN WITHIN DIMENSIONS |        |         |

| DIMENSION STYLE |            |
|-----------------|------------|
| INCH ONLY       |            |
| DRAWN BY        | DATE       |
| TGREGORI        | 2005/05/17 |
| CHECKED BY      | DATE       |
| JCOMERC I       | 2005/05/17 |
| APPROVED BY     | DATE       |
| JCOMERC I       | 2010/03/05 |
| MATERIAL NO.    |            |
| SEE CHART       |            |

|   |              |                        |
|---|--------------|------------------------|
| SCALE                                   | DESIGN UNITS | THIRD ANGLE PROJECTION |
| 1:1                                     | INCH         |                        |
| TITLE                                   |              |                        |
| SEARAY RECEPTACLE ASSEMBLY .050 CENTERS |              |                        |
| MOLEX INCORPORATED                      |              |                        |
| DOCUMENT NO.                            |              | SHEET NO.              |
| SD-45971-001                            |              | 7 OF 10                |

NOTES:  
 1. THIS SHEET CONTAINS THE FOLLOWING OPTIONS  
 NO OF ROWS: 10  
 SOLDER CHARGE: TIN  
 PACKAGING: TRAYS AND TAPE AND REEL

| 6                           |       | 5           |             | 4           |             | 3           |             | 2           |             | 1           |             |  |
|-----------------------------|-------|-------------|-------------|-------------|-------------|-------------|-------------|-------------|-------------|-------------|-------------|--|
| DIM R: (REF)                |       | 5.0 MM      |             | 6.0 MM      |             | 6.5 MM      |             | 7.5 MM      |             | 8.0 MM      |             | STACK HEIGHTS GIVEN IN METRIC FOR REF ONLY |
| DIM R:<br>HOUSING<br>HEIGHT |       |             |             |             |             |             |             |             |             |             |             |  |
|                             |       | .199        |             | .238        |             | .258        |             | .297        |             | .297        |             |  |
| POSITION                    | DIM M | MATERIAL NO | MATERIAL NO | MATERIAL NO | MATERIAL NO | MATERIAL NO | MATERIAL NO | MATERIAL NO | MATERIAL NO | MATERIAL NO | MATERIAL NO |  |
| 19                          | 1.232 | 45971-0113  | 45971-0213  | 45971-0313  | 45971-0413  | 45971-0513  | 45971-0613  | 45971-0713  | 45971-0813  | 45971-0913  | 45971-1013  |  |
| 10                          | 0.782 | 45971-1113  | 45971-1213  | 45971-1313  | 45971-1413  | 45971-1513  | 45971-1613  | 45971-1713  | 45971-1813  | 45971-1913  | 45971-2013  |  |
| 20                          | 1.282 | 45971-2113  | 45971-2213  | 45971-2313  | 45971-2413  | 45971-2513  | 45971-2613  | 45971-2713  | 45971-2813  | 45971-2913  | 45971-3013  |  |
| 30                          | 1.782 | 45971-3113  | 45971-3213  | 45971-3313  | 45971-3413  | 45971-3513  | 45971-3613  | 45971-3713  | 45971-3813  | 45971-3913  | 45971-4013  |  |
| 40                          | 2.282 | 45971-4113  | 45971-4213  | 45971-4313  | 45971-4413  | 45971-4513  | 45971-4613  | 45971-4713  | 45971-4813  | 45971-4913  | 45971-5013  |  |
| 50                          | 2.782 | 45971-5113  | 45971-5213  | 45971-5313  | 45971-5413  | 45971-5513  | 45971-5613  | 45971-5713  | 45971-5813  | 45971-5913  | 45971-6013  |  |
| 15                          | 1.032 | 45971-6113  | 45971-6213  | 45971-6313  | 45971-6413  | 45971-6513  | 45971-6613  | 45971-6713  | 45971-6813  | 45971-6913  | 45971-7013  |  |
| 25                          | 1.532 | 45971-7113  | 45971-7213  | 45971-7313  | 45971-7413  | 45971-7513  | 45971-7613  | 45971-7713  | 45971-7813  | 45971-7913  | 45971-8013  |  |
| 35                          | 2.032 | 45971-8113  | 45971-8213  | 45971-8313  | 45971-8413  | 45971-8513  | 45971-8613  | 45971-8713  | 45971-8813  | 45971-8913  | 45971-9013  |  |
| 45                          | 2.532 | 45971-9113  | 45971-9213  | 45971-9313  | 45971-9413  | 45971-9513  | 45971-9613  | 45971-9713  | 45971-9813  | 45971-9913  | 45971-10013 |  |

| 6                           |       | 5           |             | 4           |             | 3           |             | 2           |             | 1           |             |  |
|-----------------------------|-------|-------------|-------------|-------------|-------------|-------------|-------------|-------------|-------------|-------------|-------------|--|
| DIM R: (REF)                |       | 5.0 MM      |             | 6.0 MM      |             | 6.5 MM      |             | 7.5 MM      |             | 8.0 MM      |             | STACK HEIGHTS GIVEN IN METRIC FOR REF ONLY |
| DIM R:<br>HOUSING<br>HEIGHT |       |             |             |             |             |             |             |             |             |             |             |  |
|                             |       | .199        |             | .238        |             | .258        |             | .297        |             | .297        |             |  |
| POSITION                    | DIM M | MATERIAL NO | MATERIAL NO | MATERIAL NO | MATERIAL NO | MATERIAL NO | MATERIAL NO | MATERIAL NO | MATERIAL NO | MATERIAL NO | MATERIAL NO |  |
| 19                          | 1.232 | 45971-0117  | 45971-0217  | 45971-0317  | 45971-0417  | 45971-0517  | 45971-0617  | 45971-0717  | 45971-0817  | 45971-0917  | 45971-1017  |  |
| 10                          | 0.782 | 45971-1117  | 45971-1217  | 45971-1317  | 45971-1417  | 45971-1517  | 45971-1617  | 45971-1717  | 45971-1817  | 45971-1917  | 45971-2017  |  |
| 20                          | 1.282 | 45971-2117  | 45971-2217  | 45971-2317  | 45971-2417  | 45971-2517  | 45971-2617  | 45971-2717  | 45971-2817  | 45971-2917  | 45971-3017  |  |
| 30                          | 1.782 | 45971-3117  | 45971-3217  | 45971-3317  | 45971-3417  | 45971-3517  | 45971-3617  | 45971-3717  | 45971-3817  | 45971-3917  | 45971-4017  |  |
| 40                          | 2.282 | 45971-4117  | 45971-4217  | 45971-4317  | 45971-4417  | 45971-4517  | 45971-4617  | 45971-4717  | 45971-4817  | 45971-4917  | 45971-5017  |  |
| 50                          | 2.782 | 45971-5117  | 45971-5217  | 45971-5317  | 45971-5417  | 45971-5517  | 45971-5617  | 45971-5717  | 45971-5817  | 45971-5917  | 45971-6017  |  |
| 15                          | 1.032 | 45971-6117  | 45971-6217  | 45971-6317  | 45971-6417  | 45971-6517  | 45971-6617  | 45971-6717  | 45971-6817  | 45971-6917  | 45971-7017  |  |
| 25                          | 1.532 | 45971-7117  | 45971-7217  | 45971-7317  | 45971-7417  | 45971-7517  | 45971-7617  | 45971-7717  | 45971-7817  | 45971-7917  | 45971-8017  |  |
| 35                          | 2.032 | 45971-8117  | 45971-8217  | 45971-8317  | 45971-8417  | 45971-8517  | 45971-8617  | 45971-8717  | 45971-8817  | 45971-8917  | 45971-9017  |  |
| 45                          | 2.532 | 45971-9117  | 45971-9217  | 45971-9317  | 45971-9417  | 45971-9517  | 45971-9617  | 45971-9717  | 45971-9817  | 45971-9917  | 45971-10017 |  |

NOTES:  
 1. THIS SHEET CONTAINS THE FOLLOWING OPTIONS  
 NO OF ROWS: 10  
 SOLDER CHARGE: TIN / LEAD  
 PACKAGING: TRAYS AND TAPE AND REEL

|  |                    |                                       |  |                              |                         |                    |  |                        |  |  |
|--|--------------------|---------------------------------------|--|------------------------------|-------------------------|--------------------|--|------------------------|--|--|
| SEE SHEET 1<br>EC NO: UCP2010-2270<br>DRWN: TGREGORI 2010/03/05<br>CH'KD: JCOMERCI 2005/05/17<br>APPR: JCOMERCI 2010/03/05       | DESCRIPTION<br>REV | GENERAL TOLERANCES (UNLESS SPECIFIED) |  | DIMENSION STYLE<br>INCH ONLY |                         | SCALE<br>1:1       | DESIGN UNITS<br>INCH   | THIRD ANGLE PROJECTION |  |  |
|  |                    | 4 PLACES                              | ± ---  | ± ---                        | DRAWN BY<br>TGREGORI    | DATE<br>2005/05/17 | TITLE<br><b>SEARAY<br/>         RECEPTACLE ASSEMBLY<br/>         .050 CENTERS</b><br><br><b>MOLEX INCORPORATED</b><br>DOCUMENT NO. SD-45971-001<br>SHEET NO. 8 OF 10 |                        |  |  |
|  |                    | 3 PLACES                              | ± ---  | ± .005                       | CHECKED BY<br>JCOMERCI  | DATE<br>2005/05/17 |  |                        |  |  |
|  |                    | 2 PLACES                              | ± ---  | ± ---                        | APPROVED BY<br>JCOMERCI | DATE<br>2010/03/05 |  |                        |  |  |
|  |                    | 1 PLACE                               | ± ---  | ± ---                        | MATERIAL NO.            |                    |  |                        |  |  |
| ANGULAR ± ---°   |                    |                                       | DRAFT WHERE APPLICABLE<br>MUST REMAIN<br>WITHIN DIMENSIONS |                              | SEE CHART               |                    |  |                        |  |  |
| THIS DRAWING CONTAINS INFORMATION THAT IS PROPRIETARY TO MOLEX<br>INCORPORATED AND SHOULD NOT BE USED WITHOUT WRITTEN PERMISSION |                    |                                       |  |                              |                         |                    |  |                        |  |  |


| 6                           |       | 5           |             | 4           |             | 3           |             | 2           |             | 1           |             |
|-----------------------------|-------|-------------|-------------|-------------|-------------|-------------|-------------|-------------|-------------|-------------|-------------|
| DIM R: (REF)                |       | 5.0 MM      |             | 6.0 MM      |             | 6.5 MM      |             | 7.5 MM      |             | 8.0 MM      |             |
| DIM R:<br>HOUSING<br>HEIGHT |       |             |             |             |             |             |             |             |             |             |             |
|                             |       | .199        |             | .238        |             | .258        |             | .297        |             | .297        |             |
| POSITION                    | DIM M | MATERIAL NO | MATERIAL NO | MATERIAL NO | MATERIAL NO | MATERIAL NO | MATERIAL NO | MATERIAL NO | MATERIAL NO | MATERIAL NO | MATERIAL NO |
| 19                          | 1.232 | 45971-0121  | 45971-0221  | 45971-0321  | 45971-0421  | 45971-0521  | 45971-0621  | 45971-0721  | 45971-0821  | 45971-0921  | 45971-1021  |
| 10                          | 0.782 | 45971-1121  | 45971-1221  | 45971-1321  | 45971-1421  | 45971-1521  | 45971-1621  | 45971-1721  | 45971-1821  | 45971-1921  | 45971-2021  |
| 20                          | 1.282 | 45971-2121  | 45971-2221  | 45971-2321  | 45971-2421  | 45971-2521  | 45971-2621  | 45971-2721  | 45971-2821  | 45971-2921  | 45971-3021  |
| 30                          | 1.782 | 45971-3121  | 45971-3221  | 45971-3321  | 45971-3421  | 45971-3521  | 45971-3621  | 45971-3721  | 45971-3821  | 45971-3921  | 45971-4021  |
| 40                          | 2.282 | 45971-4121  | 45971-4221  | 45971-4321  | 45971-4421  | 45971-4521  | 45971-4621  | 45971-4721  | 45971-4821  | 45971-4921  | 45971-5021  |
| 50                          | 2.782 | 45971-5121  | 45971-5221  | 45971-5321  | 45971-5421  | 45971-5521  | 45971-5621  | 45971-5721  | 45971-5821  | 45971-5921  | 45971-6021  |
| 15                          | 1.032 | 45971-6121  | 45971-6221  | 45971-6321  | 45971-6421  | 45971-6521  | 45971-6621  | 45971-6721  | 45971-6821  | 45971-6921  | 45971-7021  |
| 25                          | 1.532 | 45971-7121  | 45971-7221  | 45971-7321  | 45971-7421  | 45971-7521  | 45971-7621  | 45971-7721  | 45971-7821  | 45971-7921  | 45971-8021  |
| 35                          | 2.032 | 45971-8121  | 45971-8221  | 45971-8321  | 45971-8421  | 45971-8521  | 45971-8621  | 45971-8721  | 45971-8821  | 45971-8921  | 45971-9021  |
| 45                          | 2.532 | 45971-9121  | 45971-9221  | 45971-9321  | 45971-9421  | 45971-9521  | 45971-9621  | 45971-9721  | 45971-9821  | 45971-9921  | 45971-10021 |

STACK HEIGHTS GIVEN IN METRIC FOR REF ONLY

| 6                           |       | 5           |             | 4           |             | 3           |             | 2           |             | 1           |             |
|-----------------------------|-------|-------------|-------------|-------------|-------------|-------------|-------------|-------------|-------------|-------------|-------------|
| DIM R: (REF)                |       | 5.0 MM      |             | 6.0 MM      |             | 6.5 MM      |             | 7.5 MM      |             | 8.0 MM      |             |
| DIM R:<br>HOUSING<br>HEIGHT |       |             |             |             |             |             |             |             |             |             |             |
|                             |       | .199        |             | .238        |             | .258        |             | .297        |             | .297        |             |
| POSITION                    | DIM M | MATERIAL NO | MATERIAL NO | MATERIAL NO | MATERIAL NO | MATERIAL NO | MATERIAL NO | MATERIAL NO | MATERIAL NO | MATERIAL NO | MATERIAL NO |
| 19                          | 1.232 | 45971-0125  | 45971-0225  | 45971-0325  | 45971-0425  | 45971-0525  | 45971-0625  | 45971-0725  | 45971-0825  | 45971-0925  | 45971-1025  |
| 10                          | 0.782 | 45971-1125  | 45971-1225  | 45971-1325  | 45971-1425  | 45971-1525  | 45971-1625  | 45971-1725  | 45971-1825  | 45971-1925  | 45971-2025  |
| 20                          | 1.282 | 45971-2125  | 45971-2225  | 45971-2325  | 45971-2425  | 45971-2525  | 45971-2625  | 45971-2725  | 45971-2825  | 45971-2925  | 45971-3025  |
| 30                          | 1.782 | 45971-3125  | 45971-3225  | 45971-3325  | 45971-3425  | 45971-3525  | 45971-3625  | 45971-3725  | 45971-3825  | 45971-3925  | 45971-4025  |
| 40                          | 2.282 | 45971-4125  | 45971-4225  | 45971-4325  | 45971-4425  | 45971-4525  | 45971-4625  | 45971-4725  | 45971-4825  | 45971-4925  | 45971-5025  |
| 50                          | 2.782 | 45971-5125  | 45971-5225  | 45971-5325  | 45971-5425  | 45971-5525  | 45971-5625  | 45971-5725  | 45971-5825  | 45971-5925  | 45971-6025  |
| 15                          | 1.032 | 45971-6125  | 45971-6225  | 45971-6325  | 45971-6425  | 45971-6525  | 45971-6625  | 45971-6725  | 45971-6825  | 45971-6925  | 45971-7025  |
| 25                          | 1.532 | 45971-7125  | 45971-7225  | 45971-7325  | 45971-7425  | 45971-7525  | 45971-7625  | 45971-7725  | 45971-7825  | 45971-7925  | 45971-8025  |
| 35                          | 2.032 | 45971-8125  | 45971-8225  | 45971-8325  | 45971-8425  | 45971-8525  | 45971-8625  | 45971-8725  | 45971-8825  | 45971-8925  | 45971-9025  |
| 45                          | 2.532 | 45971-9125  | 45971-9225  | 45971-9325  | 45971-9425  | 45971-9525  | 45971-9625  | 45971-9725  | 45971-9825  | 45971-9925  | 45971-10025 |

STACK HEIGHTS GIVEN IN METRIC FOR REF ONLY


NOTES:  
 1. THIS SHEET CONTAINS THE FOLLOWING OPTIONS  
 NO OF ROWS: 12  
 SOLDER CHARGE: TIN  
 PACKAGING: TRAYS AND TAPE AND REEL

|  |             |                                       |                |                                     |                                     |                             |   |   |  |  |  |
|--|-------------|---------------------------------------|----------------|-------------------------------------|-------------------------------------|-----------------------------|---|---|--|--|--|
| SEE SHEET 1<br>EC NO: UCP2010-2270<br>DRWN: TGREGORI 2010/03/05<br>CH'KD: JCOMERCI 2005/05/17<br>APPR: JCOMERCI 2010/03/05 | DESCRIPTION | GENERAL TOLERANCES (UNLESS SPECIFIED) |                | DIMENSION STYLE<br><b>INCH ONLY</b> |                                     | SCALE<br><b>3:1</b>         | DESIGN UNITS<br><b>INCH</b>   | THIRD ANGLE PROJECTION  |  |  |  |
|  |             |                                       | mm             | INCH                                | DRAWN BY<br>TGREGORI                | DATE<br>2005/05/17          | TITLE<br><b>SEARAY RECEPTACLE ASSEMBLY .050 CENTERS</b>   |   |  |  |  |
|  |             | 4 PLACES                              | ± ---          | ± ---                               | CHECKED BY<br>JCOMERCI              | DATE<br>2005/05/17          |   |   |  |  |  |
|  |             | 3 PLACES                              | ± ---          | ± .005                              | APPROVED BY<br>JCOMERCI             |                             | DATE<br>2010/03/05  |  <b>MOLEX INCORPORATED</b> |  |  |  |
| 2 PLACES   | ± ---       | ± ---                                 | MATERIAL NO.   |                                     | DOCUMENT NO.<br><b>SD-45971-001</b> | SHEET NO.<br><b>9 OF 10</b> |   |   |  |  |  |
| 1 PLACE  | ± ---       | ± ---                                 | ANGULAR ± ---° |                                     | <b>SEE CHART</b>                    |                             | THIS DRAWING CONTAINS INFORMATION THAT IS PROPRIETARY TO MOLEX INCORPORATED AND SHOULD NOT BE USED WITHOUT WRITTEN PERMISSION |   |  |  |  |
| DRAFT WHERE APPLICABLE MUST REMAIN WITHIN DIMENSIONS   |             | SIZE<br><b>A</b>                      |                |                                     |                                     |                             |   |   |  |  |  |

| 6                           |       | 5           |             | 4           |             | 3           |             | 2           |             | 1           |  |  |
|-----------------------------|-------|-------------|-------------|-------------|-------------|-------------|-------------|-------------|-------------|-------------|--|--|
| DIM R: (REF)                |       | 5.0 MM      |             | 6.0 MM      |             | 6.5 MM      |             | 7.5 MM      |             | 8.0 MM      |  | STACK HEIGHTS GIVEN IN METRIC FOR REF ONLY |
| DIM R:<br>HOUSING<br>HEIGHT |       |             |             |             |             |             |             |             |             |             |  |  |
|                             |       | .199        |             | .238        |             | .258        |             | .297        |             | .297        |  |  |
| POSITION                    | DIM M | MATERIAL NO | MATERIAL NO | MATERIAL NO | MATERIAL NO | MATERIAL NO | MATERIAL NO | MATERIAL NO | MATERIAL NO | MATERIAL NO |  |  |
| 19                          | 1.232 | 45971-0123  | 45971-0223  | 45971-0323  | 45971-0423  | 45971-0523  | 45971-0623  | 45971-0723  | 45971-0823  | 45971-0923  |  |  |
| 10                          | 0.782 | 45971-1123  | 45971-1223  | 45971-1323  | 45971-1423  | 45971-1523  | 45971-1623  | 45971-1723  | 45971-1823  | 45971-1923  |  |  |
| 20                          | 1.282 | 45971-2123  | 45971-2223  | 45971-2323  | 45971-2423  | 45971-2523  | 45971-2623  | 45971-2723  | 45971-2823  | 45971-2923  |  |  |
| 30                          | 1.782 | 45971-3123  | 45971-3223  | 45971-3323  | 45971-3423  | 45971-3523  | 45971-3623  | 45971-3723  | 45971-3823  | 45971-3923  |  |  |
| 40                          | 2.282 | 45971-4123  | 45971-4223  | 45971-4323  | 45971-4423  | 45971-4523  | 45971-4623  | 45971-4723  | 45971-4823  | 45971-4923  |  |  |
| 50                          | 2.782 | 45971-5123  | 45971-5223  | 45971-5323  | 45971-5423  | 45971-5523  | 45971-5623  | 45971-5723  | 45971-5823  | 45971-5923  |  |  |
| 15                          | 1.032 | 45971-6123  | 45971-6223  | 45971-6323  | 45971-6423  | 45971-6523  | 45971-6623  | 45971-6723  | 45971-6823  | 45971-6923  |  |  |
| 25                          | 1.532 | 45971-7123  | 45971-7223  | 45971-7323  | 45971-7423  | 45971-7523  | 45971-7623  | 45971-7723  | 45971-7823  | 45971-7923  |  |  |
| 35                          | 2.032 | 45971-8123  | 45971-8223  | 45971-8323  | 45971-8423  | 45971-8523  | 45971-8623  | 45971-8723  | 45971-8823  | 45971-8923  |  |  |
| 45                          | 2.532 | 45971-9123  | 45971-9223  | 45971-9323  | 45971-9423  | 45971-9523  | 45971-9623  | 45971-9723  | 45971-9823  | 45971-9923  |  |  |

| 6                           |       | 5           |             | 4           |             | 3           |             | 2           |             | 1           |  |  |
|-----------------------------|-------|-------------|-------------|-------------|-------------|-------------|-------------|-------------|-------------|-------------|--|--|
| DIM R: (REF)                |       | 5.0 MM      |             | 6.0 MM      |             | 6.5 MM      |             | 7.5 MM      |             | 8.0 MM      |  | STACK HEIGHTS GIVEN IN METRIC FOR REF ONLY |
| DIM R:<br>HOUSING<br>HEIGHT |       |             |             |             |             |             |             |             |             |             |  |  |
|                             |       | .199        |             | .238        |             | .258        |             | .297        |             | .297        |  |  |
| POSITION                    | DIM M | MATERIAL NO | MATERIAL NO | MATERIAL NO | MATERIAL NO | MATERIAL NO | MATERIAL NO | MATERIAL NO | MATERIAL NO | MATERIAL NO |  |  |
| 19                          | 1.232 | 45971-0127  | 45971-0227  | 45971-0327  | 45971-0427  | 45971-0527  | 45971-0627  | 45971-0727  | 45971-0827  | 45971-0927  |  |  |
| 10                          | 0.782 | 45971-1127  | 45971-1227  | 45971-1327  | 45971-1427  | 45971-1527  | 45971-1627  | 45971-1727  | 45971-1827  | 45971-1927  |  |  |
| 20                          | 1.282 | 45971-2127  | 45971-2227  | 45971-2327  | 45971-2427  | 45971-2527  | 45971-2627  | 45971-2727  | 45971-2827  | 45971-2927  |  |  |
| 30                          | 1.782 | 45971-3127  | 45971-3227  | 45971-3327  | 45971-3427  | 45971-3527  | 45971-3627  | 45971-3727  | 45971-3827  | 45971-3927  |  |  |
| 40                          | 2.282 | 45971-4127  | 45971-4227  | 45971-4327  | 45971-4427  | 45971-4527  | 45971-4627  | 45971-4727  | 45971-4827  | 45971-4927  |  |  |
| 50                          | 2.782 | 45971-5127  | 45971-5227  | 45971-5327  | 45971-5427  | 45971-5527  | 45971-5627  | 45971-5727  | 45971-5827  | 45971-5927  |  |  |
| 15                          | 1.032 | 45971-6127  | 45971-6227  | 45971-6327  | 45971-6427  | 45971-6527  | 45971-6627  | 45971-6727  | 45971-6827  | 45971-6927  |  |  |
| 25                          | 1.532 | 45971-7127  | 45971-7227  | 45971-7327  | 45971-7427  | 45971-7527  | 45971-7627  | 45971-7727  | 45971-7827  | 45971-7927  |  |  |
| 35                          | 2.032 | 45971-8127  | 45971-8227  | 45971-8327  | 45971-8427  | 45971-8527  | 45971-8627  | 45971-8727  | 45971-8827  | 45971-8927  |  |  |
| 45                          | 2.532 | 45971-9127  | 45971-9227  | 45971-9327  | 45971-9427  | 45971-9527  | 45971-9627  | 45971-9727  | 45971-9827  | 45971-9927  |  |  |

NOTES:  
 1. THIS SHEET CONTAINS THE FOLLOWING OPTIONS  
 NO OF ROWS: 12  
 SOLDER CHARGE: TIN / LEAD  
 PACKAGING: TRAYS AND TAPE AND REEL

|   |                                       |  |  |                  |   |   |                        |  |  |
|---|---------------------------------------|--|--|------------------|---|---|------------------------|--|--|
| SEE SHEET 1<br>EC NO: UCP2010-2270<br>DRWN: TGREGORI 2010/03/05<br>CHKD: JCOMERC I 2005/05/17<br>APPR: JCOMERC I 2010/03/05<br>DESCRIPTION<br>REV | GENERAL TOLERANCES (UNLESS SPECIFIED) |  | DIMENSION STYLE<br><b>INCH ONLY</b>      |                  | SCALE<br><b>1:1</b>   | DESIGN UNITS<br><b>INCH</b>   | THIRD ANGLE PROJECTION |  |  |
|   | 4 PLACES ± --- ± ---                  |  | DRAWN BY DATE<br>TGREGORI 2005/05/17     |                  | TITLE<br><b>SEARAY RECEPTACLE ASSEMBLY .050 CENTERS</b>   |   |                        |  |  |
|   | 3 PLACES ± --- ± .005                 |  | CHECKED BY DATE<br>JCOMERC I 2005/05/17  |                  |   |   |                        |  |  |
|   | 2 PLACES ± --- ± ---                  |  | APPROVED BY DATE<br>JCOMERC I 2010/03/05 |                  |  <b>MOLEX INCORPORATED</b><br>DOCUMENT NO. <b>SD-45971-001</b> SHEET NO. <b>10 OF 10</b> |   |                        |  |  |
| 1 PLACE ± --- ± ---   |                                       | MATERIAL NO.   |  |                  |   |   |                        |  |  |
| ANGULAR ± ---°  |                                       | DRAFT WHERE APPLICABLE MUST REMAIN WITHIN DIMENSIONS |  | <b>SEE CHART</b> |   | THIS DRAWING CONTAINS INFORMATION THAT IS PROPRIETARY TO MOLEX INCORPORATED AND SHOULD NOT BE USED WITHOUT WRITTEN PERMISSION |                        |  |  |