

PLEASE CHECK WWW.MOLEX.COM FOR LATEST PART INFORMATION

Part Number: [0712511001](#)
Status: **Active**
Description: 1.27mm (.050") Pitch DIMM Socket, Vertical, Multiple Keys, Plastic Peg, 168 Circuits, 3.3V Nonram

Documents:

[3D Model](#) [Product Specification PS-71243-9999 \(PDF\)](#)
[Drawing \(PDF\)](#) [RoHS Certificate of Compliance \(PDF\)](#)

Agency Certification

CSA LR19980
 UL E29179

General

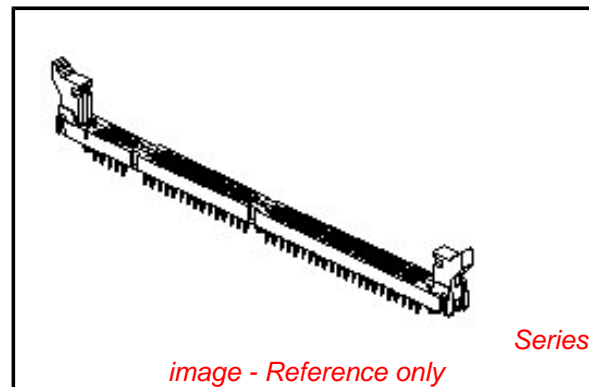
Product Family Memory Module Sockets
 Series [71251](#)
 Comments Function Key Center, Voltage Key Center
 Component Type Memory Module
 JEDEC Outline MO-161
 Product Name DIMM

Physical

Circuits (Loaded) 168
 Circuits (maximum) 168
 Color - Resin Black, Natural
 Durability (mating cycles max) 25
 Entry Angle Vertical (Top Entry)
 Flammability 94V-0
 Function Key Center
 Keying to Mating Part Yes
 Material - Metal Phosphor Bronze
 Material - Plating Mating Gold
 Material - Plating Termination Tin
 Material - Resin High Temperature Thermoplastic
 PC Tail Length (in) 0.127 In
 PC Tail Length (mm) 3.23 mm
 PCB Locator Yes
 PCB Retention Yes
 PCB Thickness Recommended (in) 0.062 In
 PCB Thickness Recommended (mm) 1.57 mm
 Packaging Type Tray
 Pitch - Mating Interface (in) 0.050 In
 Pitch - Mating Interface (mm) 1.27 mm
 Pitch - Term. Interface (in) 0.050 In
 Pitch - Term. Interface (mm) 1.27 mm
 Plating min: Mating (µin) 2
 Plating min: Mating (µm) 0.05
 Plating min: Termination (µin) 150
 Plating min: Termination (µm) 3.81
 Temperature Range - Operating -40°C to +85°C
 Termination Interface: Style Through Hole

Electrical

Current - Maximum per Contact 1A
 Voltage - Maximum 100V AC (RMS)/DC
 Voltage Key Center



EU RoHS

**ELV and RoHS
 Compliant**
REACH SVHC
 Not Reviewed
**Halogen-Free
 Status**
Not Reviewed

China RoHS



**Need more information on product
 environmental compliance?**

Email productcompliance@molex.com
 For a multiple part number RoHS Certificate of
 Compliance, [click here](#)

Please visit the [Contact Us](#) section for any
 non-product compliance questions.

Search Parts in this Series

[71251Series](#)

Mates With

JEDEC MO-161 modules

Solder Process Data

Lead-free Process Capability

Wave Capable (TH only)

Material Info**Reference - Drawing Numbers**

Product Specification

PS-71243-9999

Sales Drawing

SDA-71251-1***

This document was generated on 04/13/2010

PLEASE CHECK WWW.MOLEX.COM FOR LATEST PART INFORMATION

NOTES:

- CARD SLOT ACCEPTS $.050 \pm .004$ (1.27 \pm 0.10) MODULE THICKNESS. (MEASURED OVER P.C. PADS).
- ALL PEGS ARE INTERFERENCE FITS TO PCB UNLESS NOTED ON THE DWG.
- REFER TO PRODUCT SPEC PS-71243-9999 FOR PERFORMANCE SPECIFICATIONS.
- PRODUCT IS PACKAGED IN TRAYS.
- RECOMMENDED MODULE LAYOUT SHALL BE PER JEDEC MO-161.
- RECOMMENDED PLATING ON MODULE PADS: 30 MICROINCH/(0.76 MICROMETER) MINIMUM HARD GOLD (Au) OVER 79 MICROINCH/(2.0 MICROMETER) MINIMUM NICKEL (Ni).
- DIM. "G" APPLIES WHEN PEG IS PRESENT.
- PRODUCT WILL HAVE DATE CODE STAMPED ON SIDE OF HOUSING.

MATERIALS:

HOUSING - GLASS FILLED LIQUID CRYSTAL POLYMER (LCP), UL 94V-0, COLOR: BLACK.
 TERMINAL - PHOSPHOR BRONZE
 LATCHES - GLASS FILLED HIGH TEMPERATURE NYLON, UL 94V-0, COLOR: IVORY.

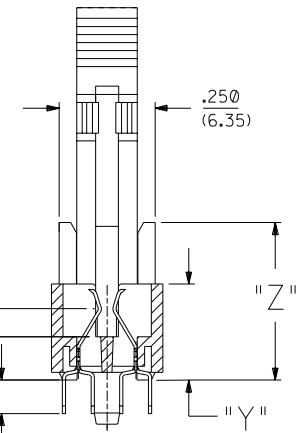
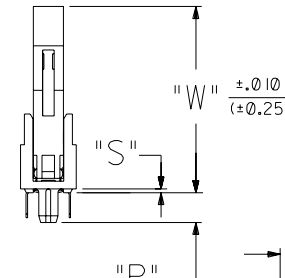
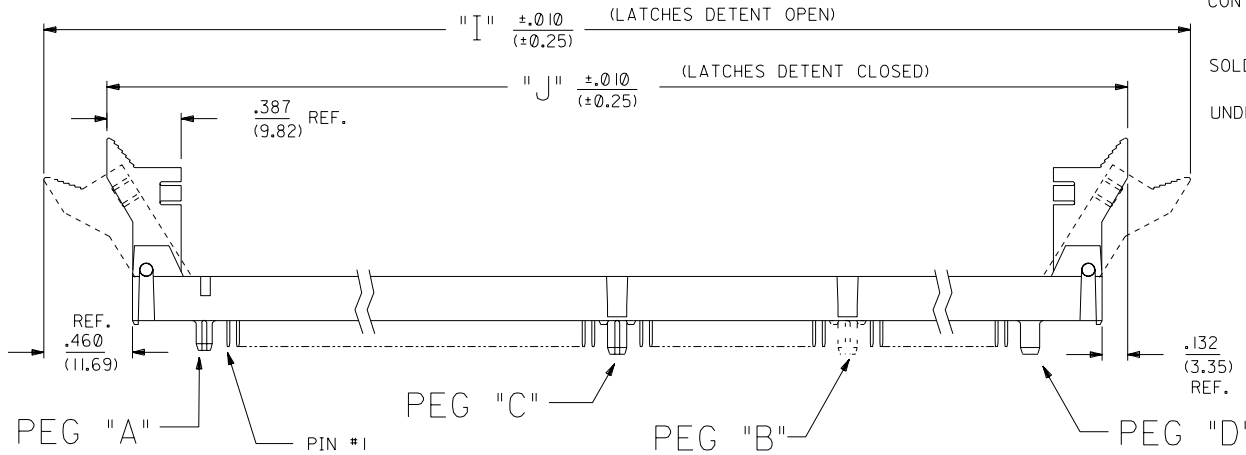
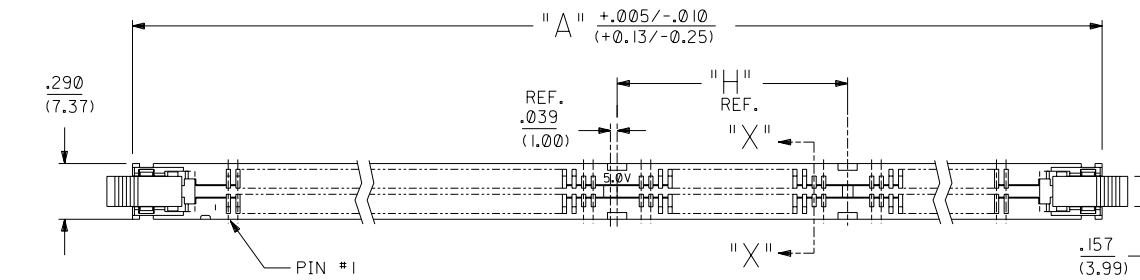
PLATING:

CONTACT AREA: GOLD (Au) FLASH: THICKNESS=2-10 MICROINCH/(0.05-0.25 MICROMETER), OVER PALLADIUM-NICKEL (Pd-Ni): THICKNESS=30 MICROINCH/(0.76 MICROMETER) MINIMUM.
 SOLDER TAILS: TIN (Sn): THICKNESS=150 MICROINCH/(3.81 MICROMETER) MINIMUM.

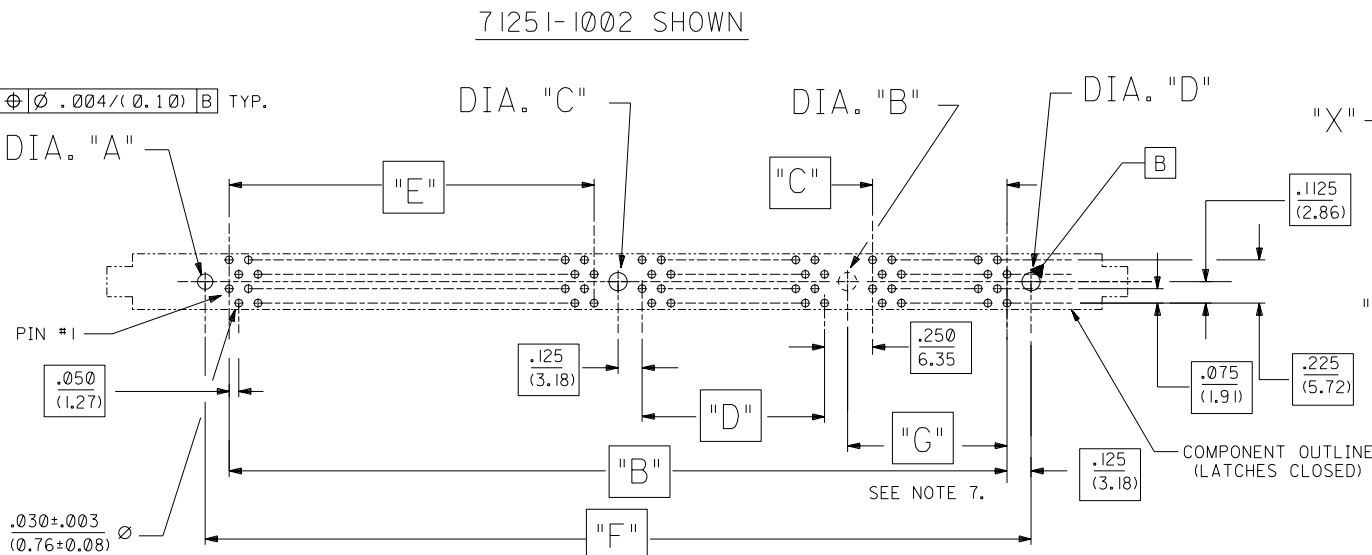
UNDERPLATE: NICKEL (Ni) OVER ENTIRE CONTACT.

NOTE FOR LEAD FREE CONVERSION:

THE PRIMARY SHIPPING CARTON WILL BE LABELED "COMPLIANT TO RoHS DIRECTIVE 2002/95/EC AND ELV ANNEX II OF DIRECTIVE 2000/53/EC". CARTONS WITHOUT THIS LABEL MAY CONTAIN PRODUCT WITH LEAD.



SECTION "X-X"
SCALE 4:1



RECOMMENDED P.C. BOARD HOLE PATTERN (CONNECTOR SIDE)

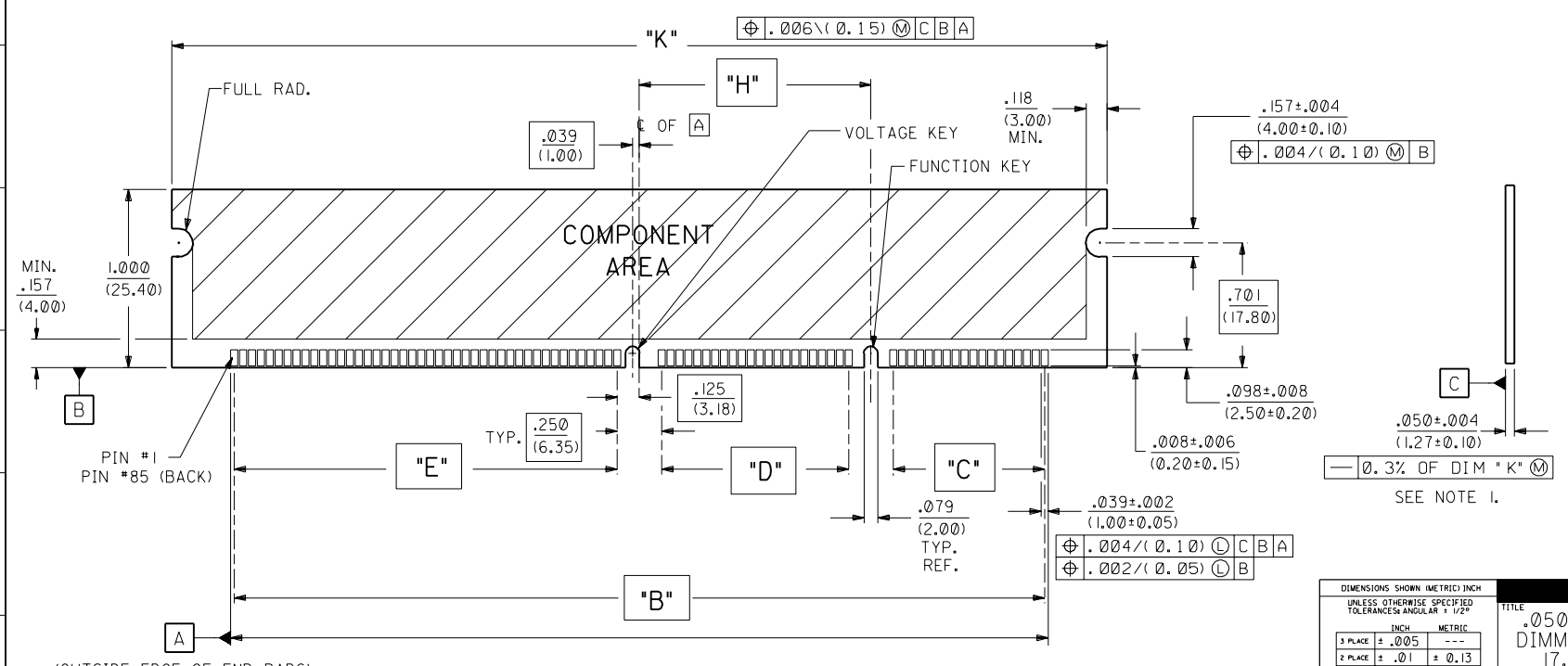
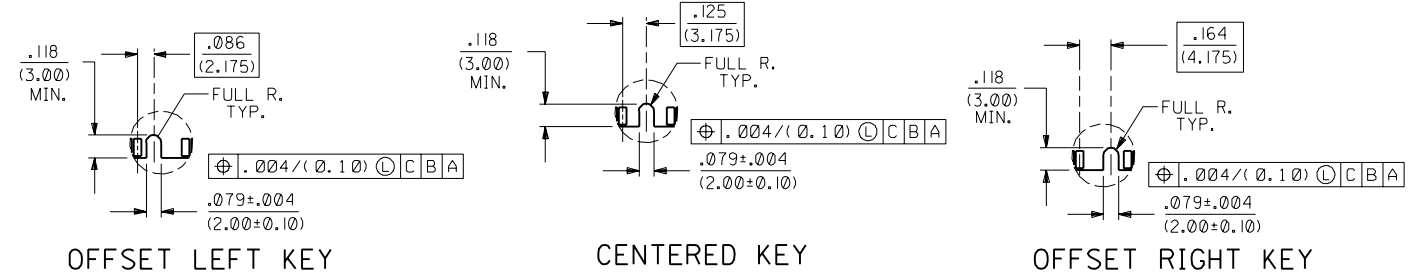
D1	ADD LEAD FREE NOTE	ECN# UCP2004-1132	DMORGAN 04/03/09
D	CHG Sn-Pb THICKNESS	ECN# UDI1999-0454	DMORGAN 99/08/09
C	REVISED PER	ECR# U61133	96-9-25 LAURX
B	REVISED PER	ECR# U51288	8-4-95 JCL
A	RMVD X, REVISED	PER ECR# U50419	12-27-94 JCL
2	REVISED PER	ECR# U50419	11-8-94 JCL
1	"X" RELEASED PER	ECR# U40711	10-18-94 JCL

DIMENSIONS SHOWN (METRIC) INCH UNLESS OTHERWISE SPECIFIED TOLERANCES: ANGULAR $\pm 1/2^\circ$		REVISE ONLY ON CAD SYSTEM	
3 PLACE	$\pm .005$	INCH	METRIC
2 PLACE	$\pm .01$	$\pm .013$	
1 PLACE	$\pm .025$		
DRAFT WHERE APPLICABLE MUST REMAIN WITHIN DIMENSIONS			
PART NO. 71251-1002		TITLE .050/(1.27) PITCH MULTI-KEY DIMM ASSEMBLY FOR NONRAM 17.8mm LATCH SALES DWG	
MFG, SH. REV. LTR. CADISIONS		MOLEX INCORPORATED SHEET NO. DATE U.S.A. 1 OF 2 10/18/94	
DRWG. NO. SDA-71251-1***		DRWG. NO.	
BY JCL		CHK'D BY DCB	
APP'D BY		SCALE 2:1	
FILE NAME S7125111.DGN		THIS DRAWING CONTAINS INFORMATION THAT IS PROPRIETARY TO MOLEX INC. AND SHOULD NOT BE USED WITHOUT WRITTEN PERMISSION	

X= N.T.	ITEM NO. 71251-1-***	CKT SIZE	DESCRIPTION	FUNCTION KEY	VOLTAGE KEY	DIA. 'A'		DIA. 'B'		DIA. 'C'		DIA. 'D'		DIM. 'A'		DIM. 'B'		DIM. 'C'		DIM. 'D'		DIM. 'E'		DIM. 'F'		DIM. 'G'		DIM. 'H'		DIM. 'J'		DIM. 'K'		DIM. 'P'		DIM. 'S'		DIM. 'T'		DIM. 'W'		DIM. 'X'		DIM. 'Y'		DIM. 'Z'	
						(2.03±0.05)	NONE	(2.36±0.08/-0.00)	(2.36±0.08/-0.00)	5.550 (140.97)	4.550 (115.57)	.950 (24.13)	.950 (24.13)	2.150 (54.61)	4.800 (121.92)	N.A.	1.200 (30.48)	6.470 (164.34)	5.814 (147.67)	5.250 (133.35)	.155 (3.94)	.020 (0.51)	.127 (3.23)	.970 (24.64)	.113 (2.87)	.113 (2.87)	.250 (6.35)	.410 (10.41)																			
	-1001	168	3.3 VOLT NONRAM	CENTER	CENTER	.080±.002 (2.03±0.05)	NONE	.093±.003/-0.00 (2.36±0.08/-0.00)	.093±.003/-0.00 (2.36±0.08/-0.00)	5.550 (140.97)	4.550 (115.57)	.950 (24.13)	.950 (24.13)	2.150 (54.61)	4.800 (121.92)	N.A.	1.200 (30.48)	6.470 (164.34)	5.814 (147.67)	5.250 (133.35)	.155 (3.94)	.020 (0.51)	.127 (3.23)	.970 (24.64)	.113 (2.87)	.113 (2.87)	.250 (6.35)	.410 (10.41)																			
	-1002	168	5.0 VOLT NONRAM	CENTER	OFFSET LEFT	.080±.002 (2.03±0.05)	NONE	.093±.003/-0.00 (2.36±0.08/-0.00)	.093±.003/-0.00 (2.36±0.08/-0.00)	5.550 (140.97)	4.550 (115.57)	.950 (24.13)	.950 (24.13)	2.150 (54.61)	4.800 (121.92)	N.A.	1.200 (30.48)	6.470 (164.34)	5.814 (147.67)	5.250 (133.35)	.155 (3.94)	.020 (0.51)	.127 (3.23)	.970 (24.64)	.113 (2.87)	.113 (2.87)	.250 (6.35)	.410 (10.41)																			
	-1003	168	3.3 VOLT NONRAM	CENTER	CENTER	.080±.002 (2.03±0.05)	NONE	.093±.003/-0.00 (2.36±0.08/-0.00)	.093±.003/-0.00 (2.36±0.08/-0.00)	5.550 (140.97)	4.550 (115.57)	.950 (24.13)	.950 (24.13)	2.150 (54.61)	4.800 (121.92)	N.A.	1.200 (30.48)	6.470 (164.34)	5.814 (147.67)	5.250 (133.35)	.140 (3.55)	.035 (0.89)	.112 (2.84)	.985 (25.02)	.128 (3.25)	.128 (3.25)	.265 (6.73)	.425 (10.79)																			

NOTES:

1. STRAIGHTNESS OF MODULE APPLIES TO THE AREA FROM THE BOTTOM OF THE CARD UP .157/(4.00).
2. IF TIE BARS ARE ATTACHED TO PADS, THE TIE BAR SHOULD BE ON AN INTERNAL LAYER, SO THAT THE REMNANT CANNOT CAUSE DAMAGE TO THE CONTACTS.



REV.	DESCRIPTION
1	SEE SHEET I
2	SEE SHEET I
3	SEE SHEET I
4	SEE SHEET I
5	SEE SHEET I

DIMENSIONS SHOWN (METRIC) INCH		UNLESS OTHERWISE SPECIFIED TOLERANCES ANGULAR ± 1/2°	
3 PLACE ± .005	INCH	---	METRIC
2 PLACE ± .01	INCH	± 0.13	METRIC
1 PLACE ---	INCH	± 0.25	METRIC
DRAFT WHERE APPLICABLE MUST REMAIN WITHIN DIMENSIONS			
DRWG. BY: JCL	CHK'D BY: DCB	SCALE: 2: 1	DATE: 10/18/94
TITLE: .050/(1.27) PITCH MULTI-KEY DIMM ASSEMBLY FOR NONRAM 17.8mm LATCH SALES DWG.		REVISE ONLY ON CAD SYSTEM	
PART NO. 71251-1-***		SHEET NO. 2	
MFG. SH. REV. LTR. REVISIONS		MFG. SH. REV. LTR. REVISIONS	
MFG. SH. REV. LTR. REVISIONS		MFG. SH. REV. LTR. REVISIONS	