

**PLEASE CHECK WWW.MOLEX.COM FOR LATEST PART INFORMATION**

**Part Number:** [0357600700](#)  
**Status:** **Active**  
**Description:** Button Contact , 18-20 AWG

**Documents:**

[Drawing \(PDF\)](#) [Product Specification PS-35760-001 \(PDF\)](#)  
[Packaging Specification \(PDF\)](#) [RoHS Certificate of Compliance \(PDF\)](#)

**General**

Product Family	Splices
Series	<a href="#">35760</a>
Crimp Quality Equipment	Yes
Mil-Spec	N/A
Product Name	N/A

**Physical**

Barrel Type	Open
Insulation	None
Material - Metal	Brass
Packaging Type	Reel
Temperature Range - Operating	-30°C to +105°C
Wire Insulation Diameter	3.5mm (.138")
Wire Size AWG	18, 20, 22

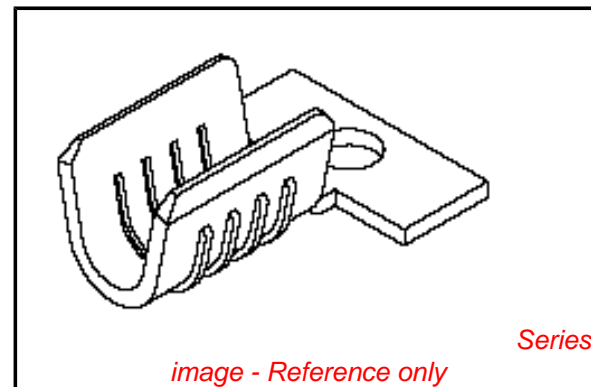
**Electrical**

Voltage - Maximum	200V AC (RMS)/DC
-------------------	------------------

**Material Info**

**Reference - Drawing Numbers**

Product Specification	PS-35760-001
Sales Drawing	SD-35760-001



**EU RoHS**

**ELV and RoHS  
Compliant**  
**REACH SVHC  
Contains SVHC: No**  
**Halogen-Free  
Status**

**China RoHS**



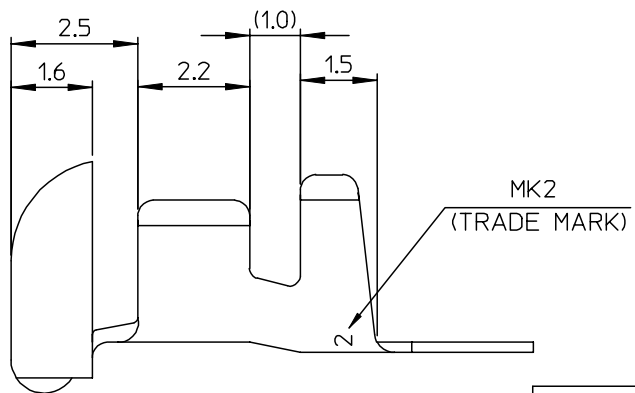
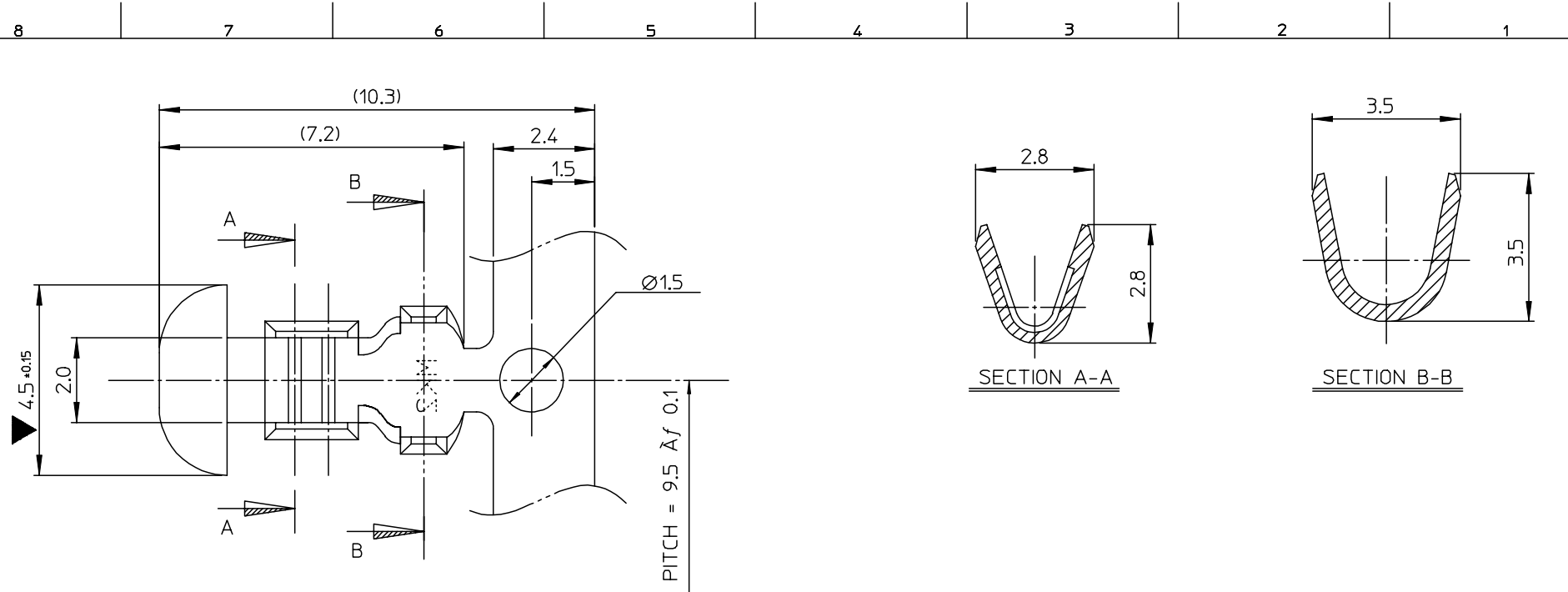
**Need more information on product  
environmental compliance?**

Email [productcompliance@molex.com](mailto:productcompliance@molex.com)  
 For a multiple part number RoHS Certificate of  
 Compliance, [click here](#)

Please visit the [Contact Us](#) section for any  
 non-product compliance questions.

**Search Parts in this Series**  
[35760Series](#)

DWG. NO. SD-35760-001  
 SIMILAR ITEM  
 PROJECT NO.  
 DO NOT SCALE DRAWING DIMENSION IN METRIC



NOTES

1. MATERIAL : BRASS, 0.4mm THICKNESS (FULL HARD TEMPER)
2. PLATING : 35760-0700 : NONE  
35760-0710 : POST-TIN PLATING (1 ~ 3 MICROMETER)
3. APPLICABLE WIRE SIZE : AWG #22 - #18

REDRAWN ECN NO. KOR2004-0126 DRWN: C.B.CHIN 04/04/16 CHK: W.Y. YANG APPR: C.W.LEE	QUALITY SYMBOLS MAJOR $\blacktriangledown$ = 1 CRITICAL $\nabla$ = 0	GENERAL TOLERANCES: (UNLESS SPECIFIED)		SCALE 10:1	DESIGN UNITS <input checked="" type="checkbox"/> mm <input type="checkbox"/> INCH	THIRD ANGLE <input checked="" type="checkbox"/> PROJECTION	DIMENSIONS: <input type="checkbox"/> mm <input type="checkbox"/> INCH <input checked="" type="checkbox"/> mm ONLY	SHT REV
		4 PLACES $\pm 0.$ $\pm -$ 3 PLACES $\pm 0.$ $\pm -$ 2 PLACES $\pm 0.25$ $\pm -$ 1 PLACE $\pm 0.25$ $\pm -$	ANGULAR: $\pm 0.5^\circ$	DRAWN BY & DATE WYYANG 91.07.30	TITLE: BUTTON CONTACT		SHEET NO. 1 OF 1	
B	REV	DRAFT WHERE APPLICABLE MUST REMAIN WITHIN DIMENSIONS		APPROVED BY & DATE	CAD FILENAME S7600700.MI	MATERIAL NO. SEE NOTES	DRAWING NO. SD-35760-001	MOLEX INCORPORATED
THIS DRAWING CONTAINS INFORMATION THAT IS PROPRIETARY TO MOLEX INCORPORATED AND SHOULD NOT BE USED WITHOUT WRITTEN PERMISSION.								SIZE B