

PLEASE CHECK WWW.MOLEX.COM FOR LATEST PART INFORMATION

Part Number: [0190160001](#)
Status: **Active**
Description: Krimptite™ Quick Disconnect, Female, for 18-22 (0.80-0.35) Wire, Box, Tab 2.79mm (.110") x 0.51mm (.020")

Documents:

[Drawing \(PDF\)](#) [RoHS Certificate of Compliance \(PDF\)](#)

Agency Certification

CSA LR18689
 UL E79133

General

Product Family Quick Disconnects
 Series [19016](#)
 Comments Butted Seam
 Crimp Quality Equipment Yes
 Product Name Krimptite™
 Type Quick Disconnect

Physical

Barrel Type Closed
 Gender Female
 Glow-Wire Compliant No
 Insulation None
 Lock to Mating Part None
 Material - Metal Brass
 Orientation Straight
 Packaging Type Bag
 Polarized to Mating Part No
 Tab Thickness 0.51mm (.020")
 Tab Width 2.79mm (.110")
 Temperature Range - Operating Per Wire Specification
 Wire Size AWG 18, 20, 22
 Wire Size mm² 0.35 - 0.80

Electrical

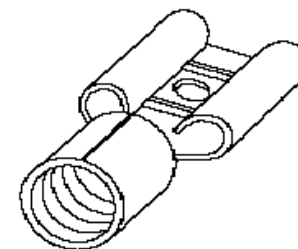
Voltage - Maximum Per Wire Specification

Material Info

Old Part Number AA-1131

Reference - Drawing Numbers

Sales Drawing SD-19016-012



*Series
 image - Reference only*

EU RoHS

**ELV and RoHS
 Compliant**
**REACH SVHC
 Contains SVHC: No**
**Halogen-Free
 Status**

China RoHS



Halogen-Free

**Need more information on product
 environmental compliance?**

Email productcompliance@molex.com
 For a multiple part number RoHS Certificate of Compliance, [click here](#)

Please visit the [Contact Us](#) section for any non-product compliance questions.

Search Parts in this Series

[19016Series](#)

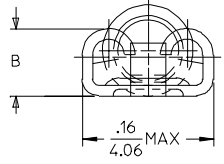
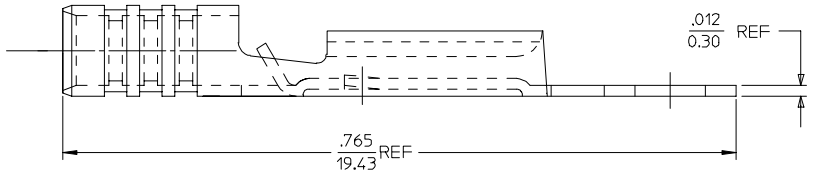
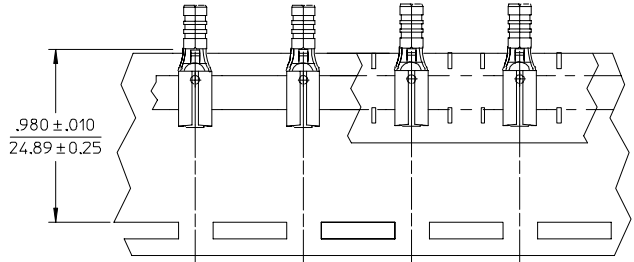
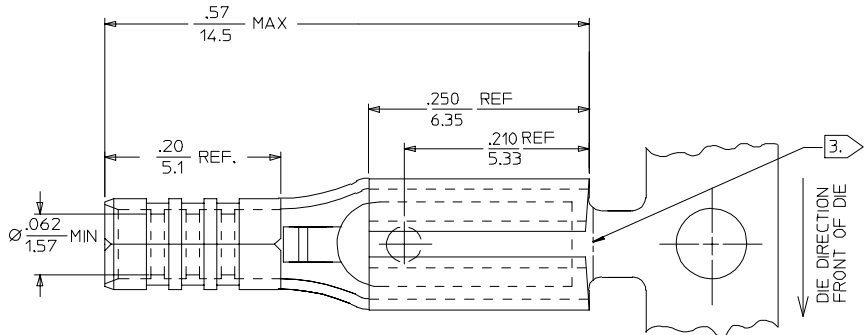
Application Tooling | [FAQ](#)

Tooling specifications and manuals are found by selecting the products below. Crimp Height Specifications are then contained in the Application Tooling Specification document.

Global

Description	Product #
Hand Crimp Tool	0640031100
Crimp Head for the AT-200™ Pneumatic Hand Tool	0640071100

MATERIAL NUMBER	ENGINEERING NUMBER	DESCRIPTION	DM B MAX
190160001	AA-1131	.110 X .020 (2.80 X 0.51) FEMALE QD W/ DIMPLE LOOSE PIECE	.078/1.98
190160002	AA-1131T	.110 X .020 (2.80 X 0.51) FEMALE QD W/ DIMPLE ON TAPE	
190160210	AAZ-1131MOD	.110 X .020 (2.80 X 0.51) FEMALE QD W/OUT DIMPLE ON STRIP	
190160021	AAZ-1134	.110 X .032 (2.80 X 0.81) FEMALE QD W/ DIMPLE ON STRIP	.085/2.16
190160003	AA-1134	.110 X .032 (2.80 X 0.81) FEMALE QD W/ DIMPLE LOOSE PIECE	
190160004	AA-1134T	.110 X .032 (2.80 X 0.81) FEMALE QD W/ DIMPLE ON TAPE	
190160226	AAZ-1134MOD	.110 X .032 (2.80 X 0.81) FEMALE QD W/OUT DIMPLE ON STRIP	



SALES DRAWING

NOTES:

- MATERIAL: BRASS.
- PLATED TIN.
- LOOSE PIECE PARTS TO HAVE CUT-OFF TAB .005/.020 (0.13/0.51).
- PART IS ROHS COMPLIANT.

CHG DIM. B IN CHART EC NO: ETC2007-0334 DRAWN BY: DRW:NEHLE 2007/03/14 CHKD: IMACNEIL 2007/03/14 APPR: IMACNEIL 2007/03/15 REVISIONS	QUALITY SYMBOLS	GENERAL TOLERANCES (UNLESS SPECIFIED)	DIMENSION STYLE IN/MM	SCALE 10:1	DESIGN UNITS INCH	THIRD ANGLE PROJECTION	
	$\nabla=0$ $\nabla=0$	mm INCH 4 PLACES ± --- ± --- 3 PLACES ± --- ± --- 2 PLACES ± --- ± --- 1 PLACE ± --- ± --- ANGULAR ± --- °	DRAWN BY: BENDERLE DATE: 2004/07/15 CHECKED BY: R DEROSS DATE: 2004/07/15 APPROVED BY: R DEROSS DATE: 2004/07/15	TITLE	.110 (2.80) QD 22-18 AWG X.020 (0.51),.032(0.81) WITH & WITHOUT DIMPLE		
	DRAFT WHERE APPLICABLE MUST REMAIN WITHIN DIMENSIONS	SEE CHART	MATERIAL NO.	DOCUMENT NO.	SD-19016-012	SHEET NO. 1 OF 1	
		THIS DRAWING CONTAINS INFORMATION THAT IS PROPRIETARY TO MOLEX INCORPORATED AND SHOULD NOT BE USED WITHOUT WRITTEN PERMISSION					