

DA4 Series

4 Watts

Total Power: 4 Watts
Input Voltage: 90-264 VAC
of Outputs: Single



Special Features

- Switching wallmount power supply
- Available in multiple AC plug configurations
- CE Mark EMC & LVD
- Universal AC input
- Regulated output
- Overload and short circuit protection
- Constant voltage, constant current
- High MTBF
- Built in EMI filter (CISPR 22 Class B)
- LED power good indicator

Safety

UL 60950 / 6500
CSA 60950
TUV 60950
NEMKO 60950
CB Certificate and report
CE EMC & LVD
CCC Mark

Electrical Specifications

Input	
Input range	90-264 VAC (wide range)
Frequency	47-63 Hz
EMI/RFI	FCC Part 15, Subpart B Class B & EN55022 (CISPR 22) Class B & EMC89/336/EEC
Safety ground leakage current	100 μ A @ 50/60 Hz, 230 VAC input
Output	
Voltage (Vo)	5.5V (5.0V - 6.0V)
Maximum Power (Po)	4W
Hold-up time	15 ms. typical at full load @ 115 VAC
Overvoltage protection	25% above nominal output maximum Latching type
Overload protection	Output short circuit protection auto recover Overload protected > 800mA
Output cable/ connector barrel polarity	DC cable with 2.5 mm x 5.5 mm barrel plug DC plug center +V; DC plug outer -V
Reverse polarity	DC plug center -V; DC plug outer +V -0001 suffix

Environmental Specifications

Operating temperature:	0° to 50°C ambient
Storage temperature:	-40°C to +85°C
Electromagnetic susceptibility:	Designed to meet EN55082-1
Humidity:	Operating; non-condensing 20% to 90% RH
Vibration:	Per IEC 60068-2-6



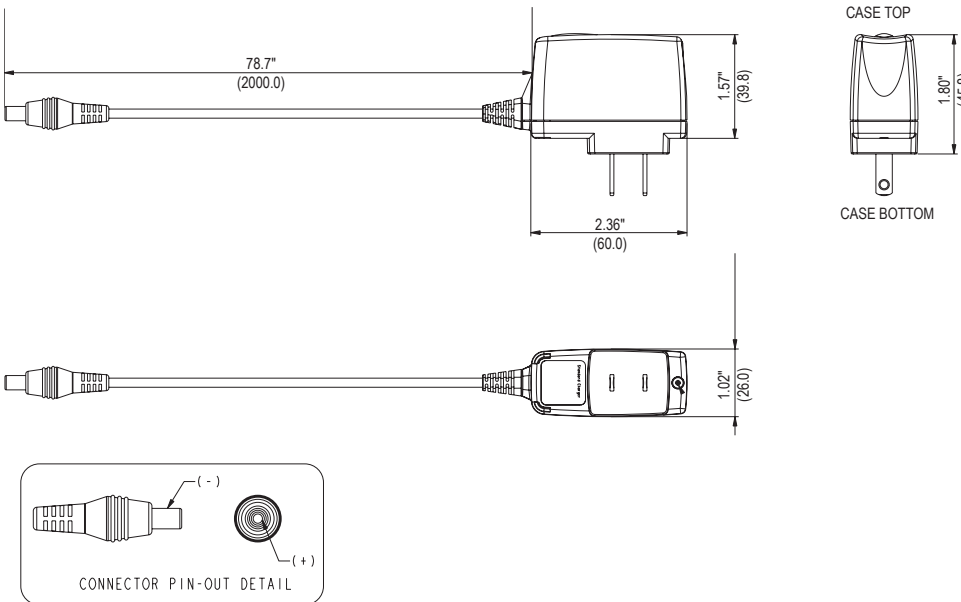
Ordering Information

Model Number	Maximum Power	Output Voltage	Minimum Load	Maximum Load	Peak Load	Ripple P/P (PAR) ¹
DA4-050US	4W	5.5V	0	0.75A	0.80A	150mV
DA4-050EU	4W	5.5V	0	0.75A	0.80A	150mV
DA4-050CH	4W	5.5V	0	0.75A	0.80A	150mV

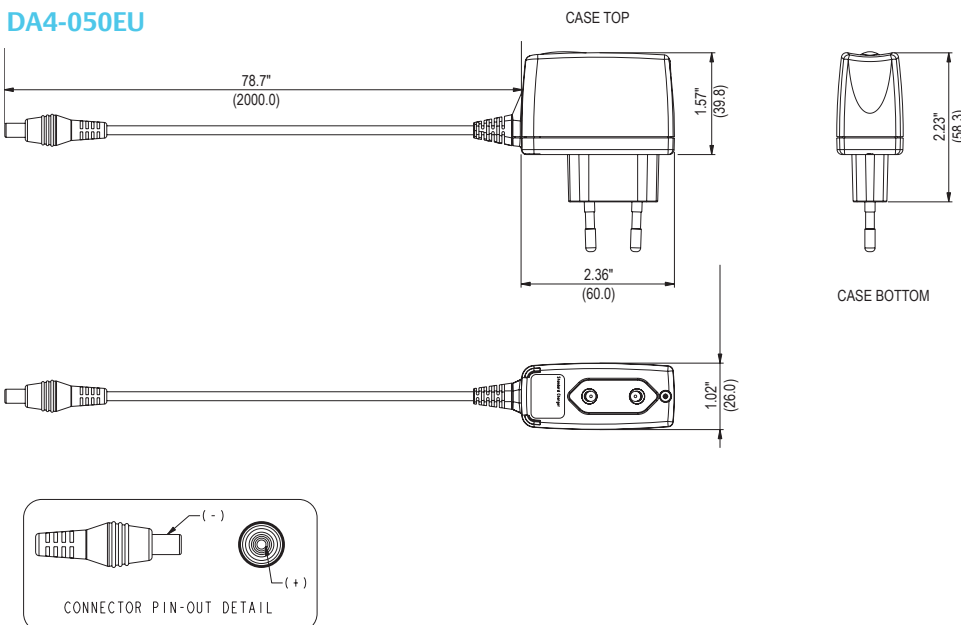
1. Peak-to-peak with 1 MHz bandwidth and 10 μ F (tantalum capacitor) in parallel with a 0.1 μ F capacitor at rated line voltage and load ranges.
2. Output should not be crounded for EMI purpose.
3. Add -0001 suffix to the part number for reverse polarity, for example DA4-050US-0001.

Mechanical Drawing

DA4-050US

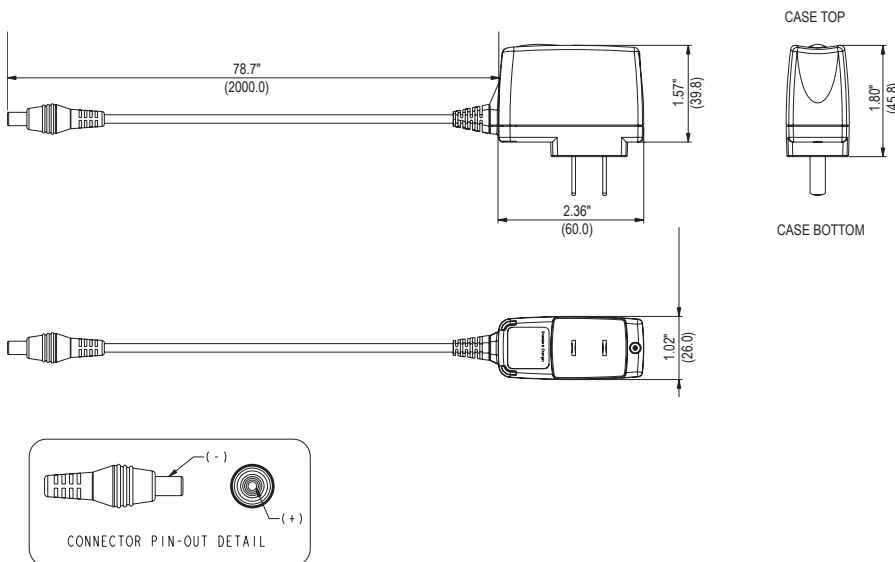


DA4-050EU



Mechanical Drawing

DA4-050CH



Notes:

1. Specifications subject to change without notice.
2. all dimensions in inches (mm), tolerance is ± 0.02 "
3. Warranty: 2 year
4. Weight: 0.181 lb. / 0.082 kg.

Americas

5810 Van Allen Way
Carlsbad, CA 92008
USA
Telephone: +1 760 930 4600
Facsimile: +1 760 930 0698

Europe (UK)

Waterfront Business Park
Merry Hill, Dudley
West Midlands, DY5 1LX
United Kingdom
Telephone: +44 (0) 1384 842 211
Facsimile: +44 (0) 1384 843 355

Asia (HK)

16th - 17th Floors, Lu Plaza
2 Wing Yip Street, Kwun Tong
Kowloon, Hong Kong
Telephone: +852 2176 3333
Facsimile: +852 2176 3888

For global contact, visit:

www.astecpower.com

www.artesyn.com

technicalsupport@astec.com

technicalsupport@artesyn.com

While every precaution has been taken to ensure accuracy and completeness in this literature, Emerson Network Power assumes no responsibility, and disclaims all liability for damages resulting from use of this information or for any errors or omissions.

Emerson Network Power.

The global leader in enabling
business-critical continuity.

- AC Power
- Connectivity
- DC Power
- Embedded Power**
- Inbound Power
- Integrated Cabinet Solutions
- Outside Plant
- Precision Cooling
- Site Monitoring and Services

EmersonNetworkPower.com