

Features

- Very Low-cost Configuration Memory
- Programmable 1,048,576 x 1, 2,097,152 x 1, 4,194,304 x 1 and 7,340,032 x 1-bit Serial Memories Designed to Store Configuration Programs for Field Programmable Gate Arrays (FPGAs)
- 1.8V, 2.5V, and 3.3V I/O
- 3.3V Supply Voltage
- Program Support using an Atmel Programmer or Industry-standard Third Party Programmers
- In-System Programmable (ISP) via JTAG Interface (IEEE 1532)
- IEEE 1149.1 Boundary-scan Testability
- Simple Interface to SRAM FPGAs
- Pin Compatible with Xilinx® XCFxxS Series Platform Flash PROM to Configure Xilinx Spartan® and Virtex® FPGAs
- Cascadable Read-back to Support Additional Configurations or Higher-density FPGAs
- Low-power CMOS FLASH Process
- Available in 20-lead TSSOP Package
- Low-power Standby Mode
- Fast Serial Download Speeds up to 33 MHz
- Endurance: 100,000 Write Cycles Typical
- Green (Pb/Halide-free/RoHS Compliant) Package
- Functionally-compatible with Existing AT17 Series Configuration Memories to Configure Atmel AT40KAL Series FPGAs

AT18F Series Configuration Memory Offering

	AT18F010	AT18F002	AT18F040	AT18F080
Density	1 Mbit	2 Mbit	4 Mbit	7 Mbit
JTAG Programming	Yes			
VCCINT	3.3V			
VCCO	1.8-3.3V			
VCCJ	1.8-3.3V			
Configuration Clock	33 MHz			
Package	20-lead TSSOP			
Green Package	Yes			

1. Description

The AT18F Series of JTAG In-System Programmable Configuration PROMs (Configurators) provide an easy-to-use, cost-effective configuration memory for Field Programmable Gate Arrays. The AT18F Series device is packaged in a 20-lead TSSOP. The AT18F Series Configurator uses a simple serial-access procedure to configure one or more FPGA devices.

The AT18F Series Configurators can be programmed with Atmel or industry-standard, third-party, stand-alone programmers such as BP, Data I/O, Hi-Lo, etc.



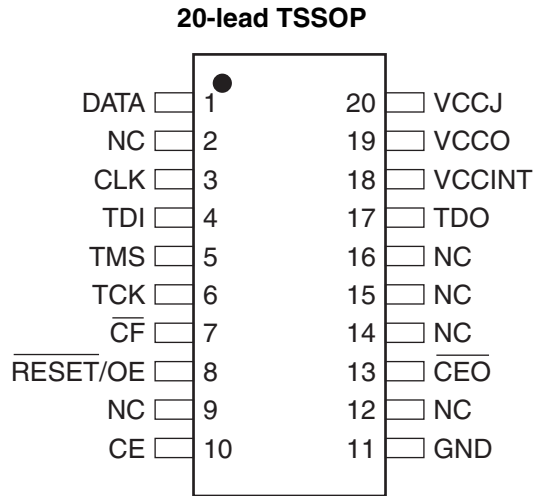
FPGA Configuration Flash Memory

AT18F010
AT18F002
AT18F040
AT18F080

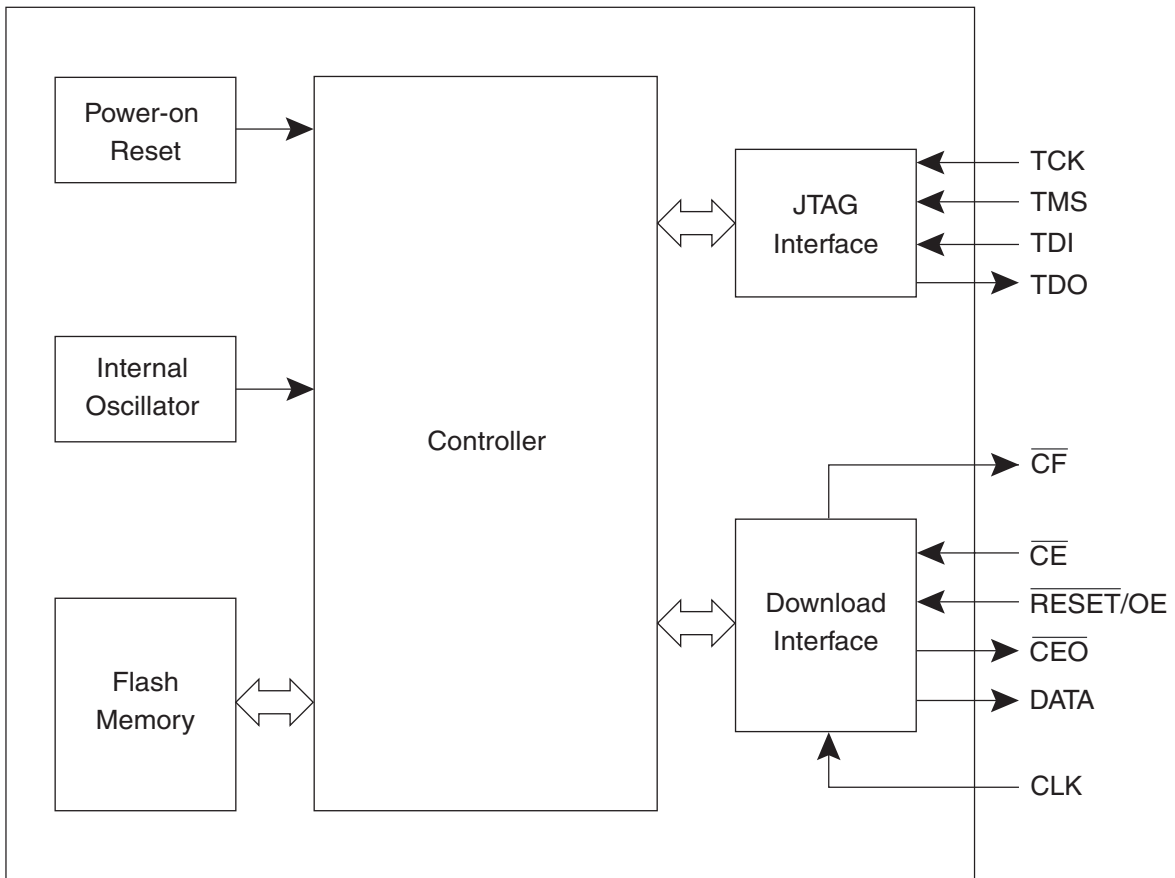
Preliminary



2. Pin Configuration



3. Block Diagram



4. Device Description

The download interface of the configuration memory will directly communicate with the FPGA through the interface-control signals (CLK, $\overline{\text{RESET/OE}}$, $\overline{\text{CE}}$) to initialize and terminate configuration. All FPGA devices in the master serial mode can control the entire configuration process to receive data from the configuration device without requiring an external intelligent controller. When FPGA devices are used in slave serial mode, an external clock signal can be applied to the CLK pin of an AT18F series device as a configuration loading clock. Multiple FPGAs that are setup in Master Serial and Slave Serial modes can also be used to control the configuration process to obtain data from a single configurator or cascaded configurators. Please contact Atmel at configurator@atmel.com for detailed descriptions.

The $\overline{\text{CF}}$ pin is used as an optional input pin for the JTAG CONFIG instruction to initialize the FPGA configuration without requiring powering down the device. The $\overline{\text{RESET/OE}}$ and $\overline{\text{CE}}$ pins control the tri-state buffer on the DATA output pin and enable the address counter. When $\overline{\text{RESET/OE}}$ is driven Low, the configuration device resets its address counter and tri-states its DATA pin. The $\overline{\text{CE}}$ pin also controls the output of the AT18F Series Configurator. If $\overline{\text{CE}}$ is held High after the $\overline{\text{RESET/OE}}$ reset pulse, the counter is reset and the DATA output pin is tri-stated.

When the configurator has driven out all of its data and $\overline{\text{CEO}}$ is driven Low, the device tri-states the DATA pin to avoid contention with other configurators. Upon power-up, the address counter is automatically reset.



AT18F series devices are compatible with a portion of the Xilinx's FPGA device families.

Table 4-1. AT18F Series Configurator Compatibility with Xilinx FPGAs

Atmel	Xilinx		Atmel	Xilinx	
AT18F010-30XU	Virtex-II	XC2V40	AT18F040-30XU	Virtex-II Pro	XC2VP4
		XC2V80		Virtex-II	XC2V500
	Virtex-E	XCV50E			XC2V1000
		XCV100E		Virtex-E	XCV400E
	Virtex	XCV50			XCV405E
		XCV100			XCV600E
		XCV150		Virtex	XCV400
	Spartan-3E	XC3S100E			XCV600
	Spartan-3	XC3S50		Spartan-3E	XC3S500E
		XC3S200			XC3S1200E
	Spartan-IIIE	XC2S50E		Spartan-3L	XC3S1000L
		XC2S100E		Spartan-3	XC3S1000
	Spartan-II	XC2S15		Spartan-IIIE	XC2S400E
		XC2S30			XC2S600E
XC2S50		AT18F080-30XU	Virtex-5 LX	XC5VLX30	
XC2S100			Virtex-4 LX	XC4VLX15	
XC2S150				XC4VLX25	
Virtex-II Pro	XC2VP2		Virtex-4 FX	XC4VFX12	
	XC2V250			XC4VFX20	
Virtex-E	XCV200E		Virtex-II Pro X	XC2VPX20	
	XCV300E		Virtex-II Pro	XC2VP7	
Virtex	XCV200			XC2VP20	
	XCV300		Virtex-II	XC2V1500	
Spartan-3E	XC3S250E			XC2V2000	
Spartan-3	XC3S400		Virtex-E	XC2V812E	
	Spartan-IIIE			XC2S150E	XC2V1000E
XC2S200E			XC2V1600E		
XC2S300E			Virtex	XC2V800	
Spartan-II	XC2S200	XC2V1000			
AT18F002-30XU	Virtex-II Pro	XC2VP2	Spartan-3E	XC3S1600E	
		XC2V250	Spartan-3L	XC3S1500L	
	Virtex-E	XCV200E	Spartan-3	XC3S1500	
		XCV300E		XC3S2000	
	Virtex	XCV200	Spartan-IIIE	XC2S150E	
		XCV300		XC2S200E	
Spartan-3E	XC3S250E	XC2S300E			
Spartan-3	XC3S400	Spartan-II	XC2S200		

5. Programming

AT18Fxx devices are in-system programmable (ISP) devices utilizing the 4-pin JTAG protocol. This capability eliminates package handling normally required for programming and facilitates rapid design iterations and field changes.

Atmel provides ISP hardware and software to allow programming of the AT18Fxx via the PC. ISP is performed by using either a download cable or a comparable board tester or a simple microprocessor interface.

To allow ISP programming support by the Automated Test Equipment (ATE) vendors, Serial Vector Format (SVF) files can be created by the Atmel JCPS Software. Conversion to other ATE tester format beside SVF is also possible

AT18Fxx devices can also be programmed using standard third-party programmers such as BP, Datal/O, Hi-Lo, etc. Factory-preprogrammed devices, as required by customers, are also available for certain ordering quantities.

Contact your local Atmel representatives or Atmel PLD applications for details.

5.1 JTAG-BST Overview

The JTAG boundary-scan testing is controlled by the Test Access Port (TAP) controller in the AT18F series. The boundary-scan technique involves the inclusion of a shift-register stage (contained in a boundary-scan cell) adjacent to each component so that signals at component boundaries can be controlled and observed using scan testing principles. Each input pin and I/O pin has its own boundary-scan cell (BSC) in order to support boundary-scan testing. The AT18Fxx series does not currently include a Test Reset (TRST) input pin because the TAP controller is automatically reset at power-up. The six JTAG BST modes supported include: SAMPLE/PRELOAD, EXTEST, BYPASS and IDCODE. BST on the AT18Fxx series is implemented using the Boundary-scan Definition Language (BSDL) described in the JTAG specification (IEEE Standard 1149.1). Any third-party tool that supports the BSDL format can be used to perform BST on the AT18Fxx series.

The AT18F series uses the four JTAG-standard I/O pins for In-System programming (ISP). The AT18F series is programmable through the four JTAG pins using programming algorithm compatible with the IEEE JTAG Standard 1532. Programming is performed by using selectable voltage levels of the programming signals from the JTAG ISP interface.

5.2 JTAG Boundary-scan Cell (BSC) Testing

The AT18F series has I/Os that contain boundary-scan cells (BSC) in order to support boundary-scan testing as described in detail by IEEE Standard 1149.1. Input to the capture register chain is fed in from the TDI pin while the output is directed to the TDO pin. Capture registers are used to capture active device data signals, to shift data in and out of the device and to load data into the update registers. Control signals are generated internally by the JTAG TAP controller.

6. Pin Description

Table 6-1. Pin Descriptions

Name	Type	20-lead TSSOP
DATA	I/O	1
CLK	I	3
$\overline{\text{RESET/OE}}$	I	8
$\overline{\text{CE}}$	I	10
$\overline{\text{CF}}$	I	7
$\overline{\text{CEO}}$	O	13
TMS	I	5
TCK	I	6
TDI	I	4
TDO	O	17
VCCINT	I	18
NC	-	2, 9, 12, 14, 15, 16
VCCO	Power Supply	19
GND	Ground	11
VCCJ	Power Supply	20

6.1 DATA (D0)

Open-collector bi-directional data pin. This pin has an internal 20 K Ω pull-up resistor.

6.2 CLK

Clock input. Used to increment the internal address and bit counter for reading and programming. This pin has an internal 20 K Ω pull-up resistor.

6.3 $\overline{\text{RESET/OE}}$

Output Enable (active High) and $\overline{\text{RESET}}$ (active Low). A Low level on $\overline{\text{RESET/OE}}$ resets both the address and bit counters. A High level (with $\overline{\text{CE}}$ Low) enables the data output driver. This pin has an internal 20 K Ω pull-up resistor.

6.4 $\overline{\text{CE}}$

Chip Enable input (active Low). A Low level (with OE High) allows CLK to increment the address counter and enables the data output driver. A High level on $\overline{\text{CE}}$ disables both the address and bit counters and forces the device into a low-power standby mode. This pin has an internal 20 K Ω pull-up resistor.

6.5 $\overline{\text{CF}}$

Configuration Pulse (open-drain output). Allows JTAG CONFIG instruction to initiate FPGA configuration without powering down the FPGA. This is an open-drain output that is pulsed Low by the JTAG CONFIG command.

6.6 $\overline{\text{CEO}}$

Chip Enable Output for configuration download. This output goes Low when the internal address counter of the device has reached its maximum value which signals that all configuration data is being clocked out of the device. In a daisy chain of AT18F Series devices, the $\overline{\text{CEO}}$ pin of one device must be connected to the $\overline{\text{CE}}$ input of the next device in the chain. It will stay Low as long as $\overline{\text{CE}}$ is Low and OE is High. It will then follow $\overline{\text{CE}}$ until OE goes Low; thereafter, $\overline{\text{CEO}}$ will stay High until the entire memory device is read again.

6.7 TMS

JTAG Mode Control Input. The state of TMS with the rising edge of TCK determines the state transitions of the Test Access Port (TAP) controller. TMS has an internal 50 K Ω weak pull-up to V_{CCJ} to provide a logic 1 to the device.

6.8 TCK

JTAG Clock Input. This pin is the JTAG clock input to the TAP controller of the device.

6.9 TDI

JTAG Serial Data Input. This pin is the serial input to all JTAG instructions and data registers. An internal 50 K Ω weak pull-up to V_{CCJ} provides a logic 1 to the device.

6.10 TDO

JTAG Serial Data Output. This pin is the serial output to all JTAG instruction and data registers. An internal 50 K Ω weak pull-up to V_{CCJ} provides a logic 1 to the device if the pin is not driven.

6.11 VCCINT

+3.3V supply voltage for internal logic.

6.12 NC

No Connect Pin. This pin is not connected to any internal logic of the device and can be left floating.

6.13 VCCO

Supply voltage for I/O drivers (1.8V, 3.3V, or 3.3V).

6.14 VCCJ

Supply voltage for JTAG I/O drivers (1.8V, 3.3V, or 3.3V).

6.15 GND

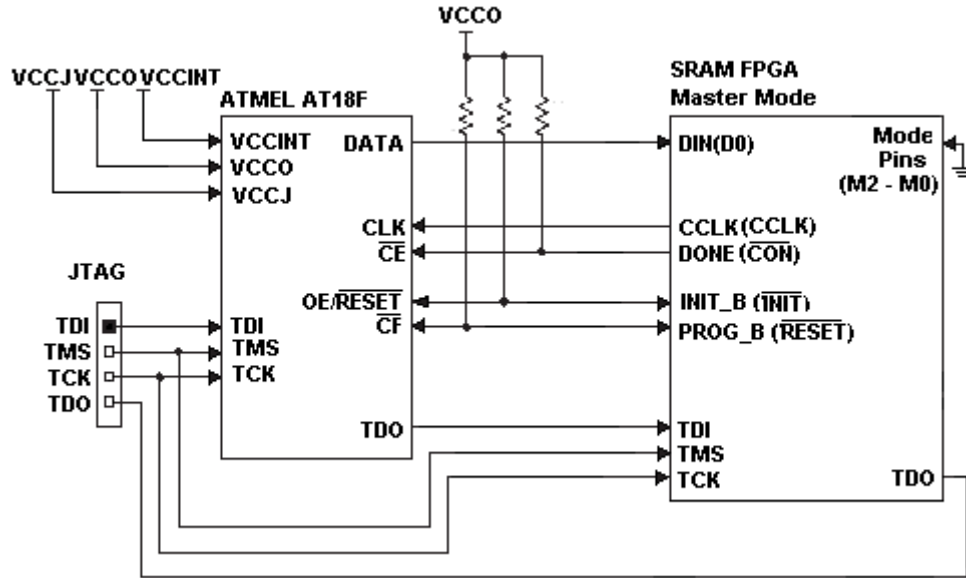
Power supply ground.

7. Standby Mode

The AT18F Series Configurators enter a low-power standby mode whenever the JTAG mode is inactive and $\overline{\text{CE}}$ is asserted High. In this mode, the AT18F Configurator consumes less than 1 mA of current at 3.3V. The output remains in a high-impedance state regardless of the state of the OE input.

8. Configuration Memory to FPGA Device Interface Connection Diagrams

Figure 8-1. General Connection Diagram for Loading FPGA from Configurator and JTAG Signals



- Notes:
1. Signals within parenthesis will be applied to Atmel AT40AK FPGA.
 2. For details of the circuit connection, please contact factory.

9. Absolute Maximum Ratings*

Operating Temperature.....	-55° C to +125° C
Storage Temperature	-65° C to +150° C
Voltage on Any Pin with Respect to Ground	-0.1V to V _{CC} +0.5V
Supply Voltage (V _{CC})	-0.5V to +3.6V
Maximum Soldering Temp. (10 sec. @ 1/16 in.).....	260° C
ESD (R _{ZAP} = 1.5K, C _{ZAP} = 100 pF).....	2000V

*NOTICE: Stresses beyond those listed under Absolute Maximum Ratings may cause permanent damage to the device. This is a stress rating only and functional operation of the device at these or any other conditions beyond those listed under operating conditions is not implied. Exposure to Absolute Maximum Rating conditions for extended periods of time may affect device reliability.

10. Operating Conditions

T_{AI} = -40° C to +85° C for Industrial and 0° C to +70° C for Commercial

Symbol	Description	Min	Typ	Max	Units	
V _{CCINT}	Supply Voltage for Internal Logic	3.0	3.3	3.6	V	
V _{CCO}	Supply Voltage for I/O Drivers	3.3V Operation	3.0	3.3	3.6	V
		2.5V Operation	2.3	2.5	2.7	
		1.8V Operation	1.7	1.8	1.9	
V _{CCJ}	Supply Voltage for JTAG I/O Drivers	3.3V Operation	3.0	3.3	3.6	V
		2.5V Operation	2.3	2.5	2.7	
		1.8V Operation	1.7	1.8	1.9	
V _{IL}	Input Low Voltage	3.3V Operation	-0.3		0.8	V
		2.5V Operation	-0.3		0.7	
		1.8V Operation	-0.3		0.35 x V _{CCO}	
V _{IH}	Input High Voltage	3.3V Operation	2.0		3.9	V
		2.5V Operation	1.7		3.9	
		1.8V Operation	0.65 x V _{CCO}		3.9	

11. DC Characteristics

Symbol	Description	Condition	Min	Typ	Max	Units
I_{CCINT}	Internal Voltage Supply Current, Active Mode	33 MHz			10	mA
I_{CCIO}	I/O Drive Supply Current, Active Mode	33 MHz			10	mA
I_{CCJ}	JTAG Supply Current, Active Mode				5	mA
I_{CCINTS}	Internal Voltage Supply Current, Standby Mode	$V_{CCINT} = 3.6V$, $V_{CIO} = 3.6V$			1	mA
I_{CCIOS}	Output Drive Supply Current, Standby Mode	$V_{CCINT} = 3.6V$, $V_{CIO} = 3.6V$			1	mA
I_{CCJS}	JTAG Supply Current, Standby Mode	$V_{CCINT} = 3.6V$, $V_{CIO} = 3.6V$			1	mA
I_{IL}	Input or I/O Low Leakage			1	10	μA
I_{IH}	Input or I/O High Leakage		-10	10	10	μA
V_{OL}	Output Low Voltage	3.3V Operation			0.4	V
		2.5V Operation			0.4	
		1.8V Operation			0.45	
V_{OH}	Output High Voltage	3.3V Operation		$V_{CCO} - 0.4$		V
		2.5V Operation		$V_{CCO} - 0.4$		
		1.8V Operation		$V_{CCO} - 0.45$		

12. AC Characteristics

Figure 12-1. AT18Fxx as Configuration Slave with CLK Input Pin as Clock Source

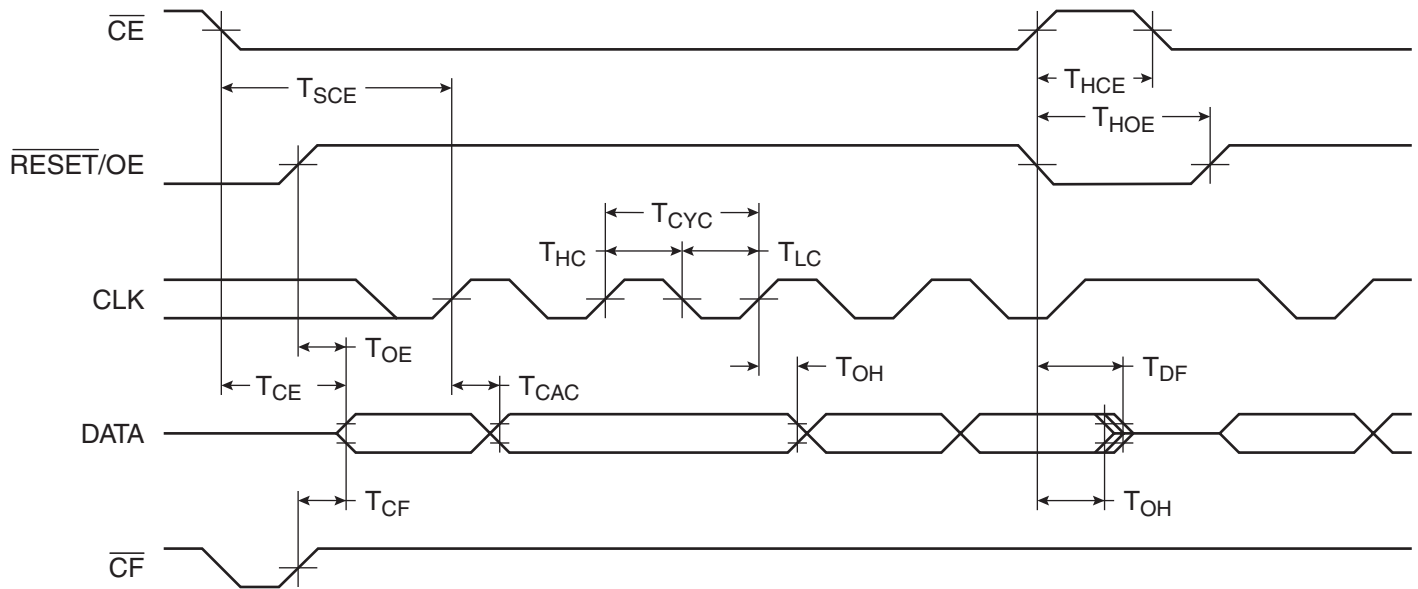


Table 12-1. AC Characteristics over Operating Conditions

Symbol	Description	Min	Max	Units
T_{CF}	CF to Data Delay	20	50	μ s
T_{OE}	\overline{RESET}/OE to Data Delay		10	ns
T_{CE}	CE to Data Delay	20		μ s
T_{CAC}	CLK to Data Delay		15	ns
T_{OH}	Data Hold from \overline{CE} , \overline{RESET}/OE , CLK, or \overline{CF}		15	ns
T_{DF}	\overline{CE} or \overline{RESET}/OE to Data Float Delay		25	ns
T_{CYC}	Clock Period	30		ns
T_{LC}	CLK Low Time	15		ns
T_{HC}	CLK High Time	15		ns
T_{SCE}	\overline{CE} Setup Time to CLK	20		μ s
T_{HCE}	\overline{CE} Hold Time	250		ns
T_{HOE}	\overline{RESET}/OE Hold Time	250		ns
T_{BLKE}	Block Erase Time	0.7	1	s
T_{ERASE}	Bulk Erase Time – 1M		3	s
	Bulk Erase Time – 2M		5	s
	Bulk Erase Time – 4M		9	s
	Bulk Erase Time – 8M		15	s
T_{CK_J}	TAP Clock Minimum Period	100		ns

Figure 12-2. AC Characteristics when Cascading

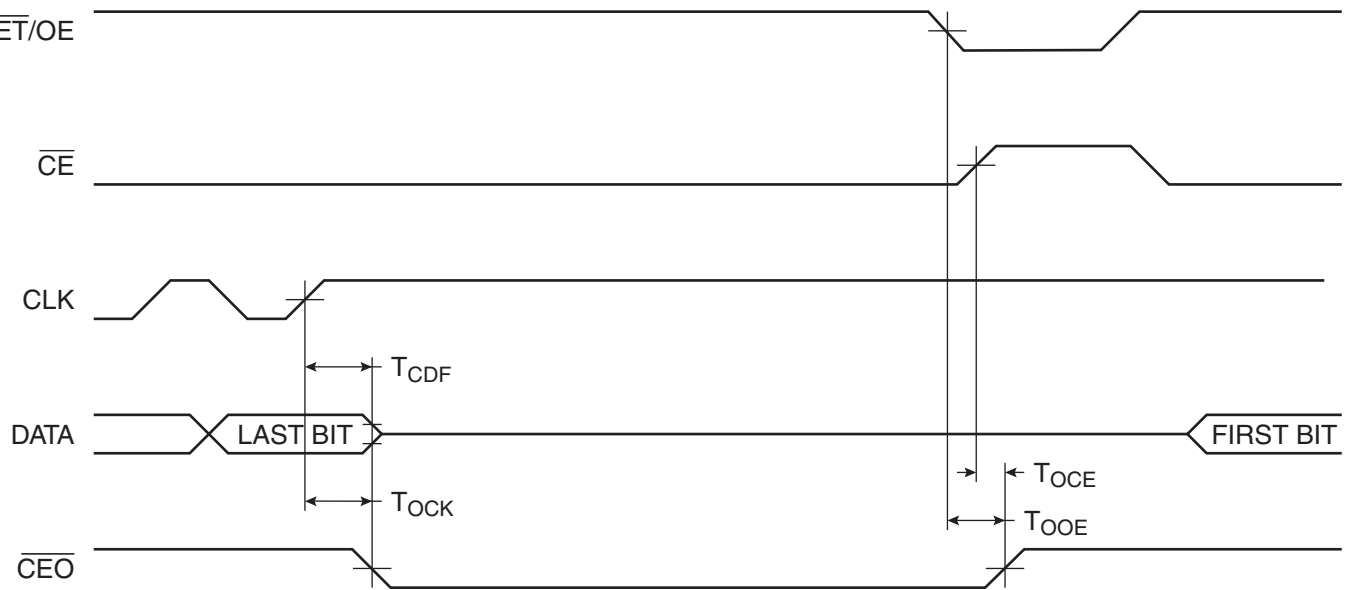


Table 12-2. AC Characteristics When Cascading

Symbol	Description	Min	Max	Units
T_{CDF}	CLK to Output Float Delay		25	ns
T_{OCK}	CLK to $\overline{\text{CEO}}$ Delay		20	ns
T_{OCE}	$\overline{\text{CE}}$ to $\overline{\text{CEO}}$ Delay		20	ns
T_{OOE}	$\overline{\text{RESET/OE}}$ to $\overline{\text{CEO}}$ Delay		20	ns

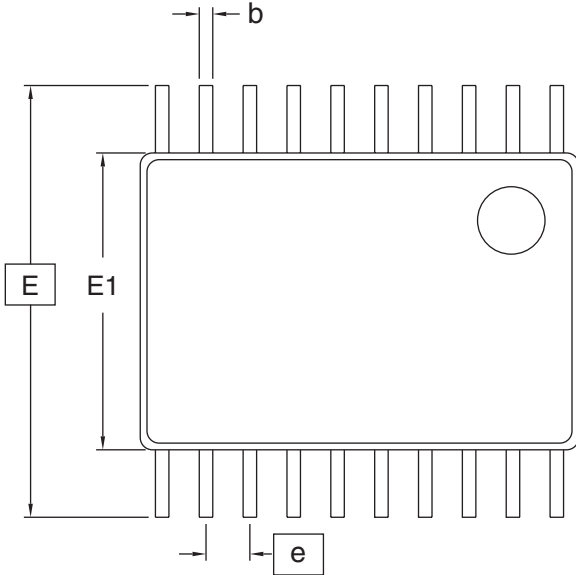
13. Ordering Information

Memory Size	Ordering Code	Package	Operation Range
1-Mbit	AT18F010-30XU	20A2 - 20 TSSOP	Industrial (-40° C to 85° C)
2-Mbit	AT18F002-30XU	20A2 - 20 TSSOP	Industrial (-40° C to 85° C)
4-Mbit	AT18F040-30XU	20A2 - 20 TSSOP	Industrial (-40° C to 85° C)
7-Mbit	AT18F080-30XU	20A2 - 20 TSSOP	Industrial (-40° C to 85° C)

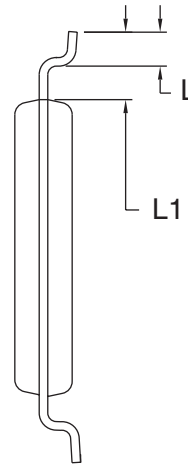
Package Type	
20A2	20-lead, 0.65 mm Wide, Plastic Think-Shrink Small Outline (TSSOP)

14. Packaging Information

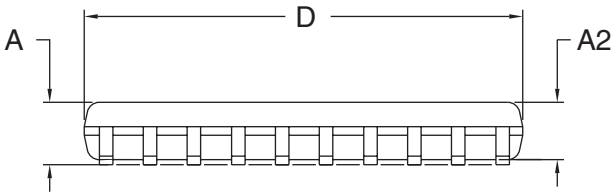
14.1 20A2 – TSSOP



Top View



End View



Side View

COMMON DIMENSIONS
(Unit of Measure = mm)

SYMBOL	MIN	NOM	MAX	NOTE
D	6.40	6.50	6.60	2, 5
E	6.40 BSC			
E1	4.30	4.40	4.50	3, 5
A	–	–	1.20	
A2	0.80	1.00	1.05	
b	0.19	–	0.30	4
e	0.65 BSC			
L	0.45	0.60	0.75	
L1	1.00 REF			

- Notes:
1. This drawing is for general information only. Please refer to JEDEC Drawing MO-153, Variation AC, for additional information.
 2. Dimension D does not include mold Flash, protrusions or gate burrs. Mold Flash, protrusions and gate burrs shall not exceed 0.15 mm (0.006 in) per side.
 3. Dimension E1 does not include inter-lead Flash or protrusions. Inter-lead Flash and protrusions shall not exceed 0.25 mm (0.010 in) per side.
 4. Dimension b does not include Dambar protrusion. Allowable Dambar protrusion shall be 0.08 mm total in excess of the b dimension at maximum material condition. Dambar cannot be located on the lower radius of the foot. Minimum space between protrusion and adjacent lead is 0.07 mm.
 5. Dimension D and E1 to be determined at Datum Plane H.

6/3/02



2325 Orchard Parkway
San Jose, CA 95131

TITLE

20A2, 20-lead (4.4 x 6.5 mm Body), 0.65 pitch,
Thin Shrink Small Outline Package (TSSOP)

DRAWING NO.

20A2

REV.

C

15. Revision History

Revision Level – Release Date	History
A – January 2008	Initial release.



Headquarters

Atmel Corporation
2325 Orchard Parkway
San Jose, CA 95131
USA
Tel: 1(408) 441-0311
Fax: 1(408) 487-2600

International

Atmel Asia
Room 1219
Chinachem Golden Plaza
77 Mody Road Tsimshatsui
East Kowloon
Hong Kong
Tel: (852) 2721-9778
Fax: (852) 2722-1369

Atmel Europe
Le Krebs
8, Rue Jean-Pierre Timbaud
BP 309
78054 Saint-Quentin-en-
Yvelines Cedex
France
Tel: (33) 1-30-60-70-00
Fax: (33) 1-30-60-71-11

Atmel Japan
9F, Tonetsu Shinkawa Bldg.
1-24-8 Shinkawa
Chuo-ku, Tokyo 104-0033
Japan
Tel: (81) 3-3523-3551
Fax: (81) 3-3523-7581

Product Contact

Web Site
www.atmel.com

Technical Support
configurator@atmel.com

Sales Contact
www.atmel.com/contacts

Literature Requests
www.atmel.com/literature

Disclaimer: The information in this document is provided in connection with Atmel products. No license, express or implied, by estoppel or otherwise, to any intellectual property right is granted by this document or in connection with the sale of Atmel products. **EXCEPT AS SET FORTH IN ATMEL'S TERMS AND CONDITIONS OF SALE LOCATED ON ATMEL'S WEB SITE, ATMEL ASSUMES NO LIABILITY WHATSOEVER AND DISCLAIMS ANY EXPRESS, IMPLIED OR STATUTORY WARRANTY RELATING TO ITS PRODUCTS INCLUDING, BUT NOT LIMITED TO, THE IMPLIED WARRANTY OF MERCHANTABILITY, FITNESS FOR A PARTICULAR PURPOSE, OR NON-INFRINGEMENT. IN NO EVENT SHALL ATMEL BE LIABLE FOR ANY DIRECT, INDIRECT, CONSEQUENTIAL, PUNITIVE, SPECIAL OR INCIDENTAL DAMAGES (INCLUDING, WITHOUT LIMITATION, DAMAGES FOR LOSS OF PROFITS, BUSINESS INTERRUPTION, OR LOSS OF INFORMATION) ARISING OUT OF THE USE OR INABILITY TO USE THIS DOCUMENT, EVEN IF ATMEL HAS BEEN ADVISED OF THE POSSIBILITY OF SUCH DAMAGES.** Atmel makes no representations or warranties with respect to the accuracy or completeness of the contents of this document and reserves the right to make changes to specifications and product descriptions at any time without notice. Atmel does not make any commitment to update the information contained herein. Unless specifically provided otherwise, Atmel products are not suitable for, and shall not be used in, automotive applications. Atmel's products are not intended, authorized, or warranted for use as components in applications intended to support or sustain life.

© Atmel Corporation 2008. All rights reserved. Atmel®, logo and combinations thereof, Everywhere You Are® and others are registered trademarks or trademarks of Atmel Corporation or its subsidiaries. Other terms and product names may be trademarks of others.