

PLEASE CHECK WWW.MOLEX.COM FOR LATEST PART INFORMATION

Part Number: **0743003153**
Status: **Active**
Overview: hdm
Description: 2.00mm (.079") Pitch HDM® Board-to-Board Daughtercard Receptacle, Vertical, Signal Module, with Guide, 144 Circuits, Mounted Height 13.00mm (.512"), Press-Fit Pin Length 3.50mm (.138")

Documents:

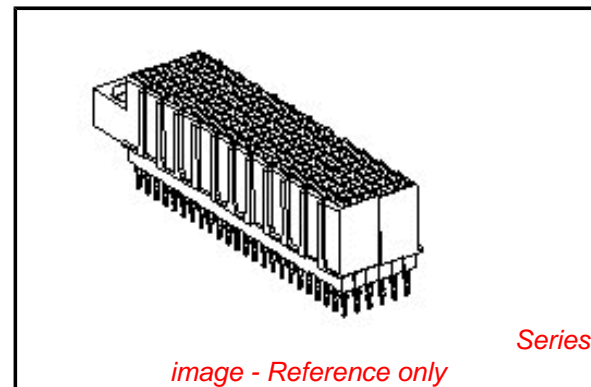
[3D Model](#) [Product Specification PS-73780-999 \(PDF\)](#)
[Drawing \(PDF\)](#) [RoHS Certificate of Compliance \(PDF\)](#)

General

Product Family Backplane Connectors
Series 74300
Application Daughtercard, Mezzanine
Component Type PCB Receptacle
Overview hdm
Product Name HDM®
Style N/A

Physical

Circuits (Loaded) 144
Circuits (maximum) 144
Color - Resin Black
Durability (mating cycles max) 250
First Mate / Last Break No
Guide to Mating Part Yes
Keying to Mating Part None
Material - Metal Copper-Nickel-Tin
Material - Plating Mating Gold
Material - Plating Termination Tin-Lead
Material - Resin High Temperature Thermoplastic
Number of Columns 24
Number of Pairs Open Pin Field
Number of Rows 6
Orientation Vertical
PC Tail Length (in) 0.138 In
PC Tail Length (mm) 3.50 mm
PCB Locator No
PCB Retention None
PCB Thickness Recommended (in) 0.063 In
PCB Thickness Recommended (mm) 1.60 mm
Packaging Type Tube
Pitch - Mating Interface (in) 0.079 In
Pitch - Mating Interface (mm) 2.00 mm
Pitch - Term. Interface (in) 0.079 In
Pitch - Term. Interface (mm) 2.00 mm
Plating min: Mating (µin) 30
Plating min: Mating (µm) 0.76
Plating min: Termination (µin) 30
Plating min: Termination (µm) .88
Polarized to PCB No
Stackable Yes
Surface Mount Compatible (SMC) Yes
Temperature Range - Operating -55°C to +105°C
Termination Interface: Style Through Hole - Compliant Pin



EU RoHS

RoHS Compliant by Exemption
REACH SVHC
Contains SVHC: No
Halogen-Free
Status
Not Reviewed

China RoHS



Need more information on product environmental compliance?

Email productcompliance@molex.com
For a multiple part number RoHS Certificate of Compliance, [click here](#)

Please visit the [Contact Us](#) section for any non-product compliance questions.

Search Parts in this Series

[74300Series](#)

Mates With

HDM® Board-to-Board Backplane Header
[73642](#) , [73643](#) , [73644](#) , [74349](#) , [74428](#) ,
[73769](#) , [73781](#) , [73770](#) , [73782](#) , [73783](#) ,
[73771](#)

Electrical

Current - Maximum per Contact	1A
Data Rate	1.0 Gbps
Real Signals (per 25mm)	76
Shielded	Yes
Voltage - Maximum	250V AC

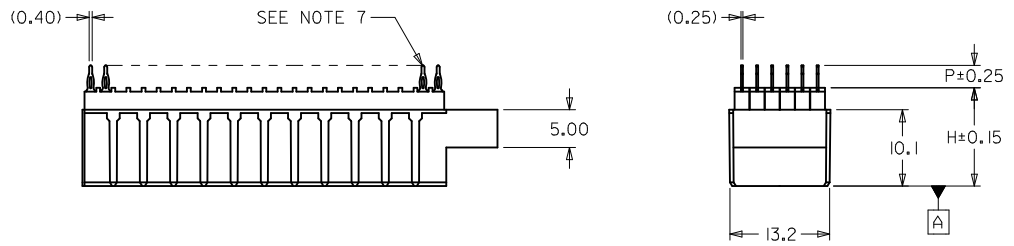
Material Info**Reference - Drawing Numbers**

Product Specification	PS-73780-999
Sales Drawing	SD-74300-002

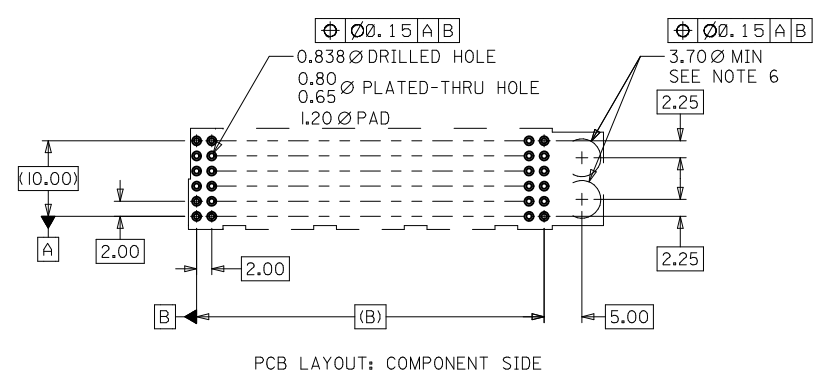
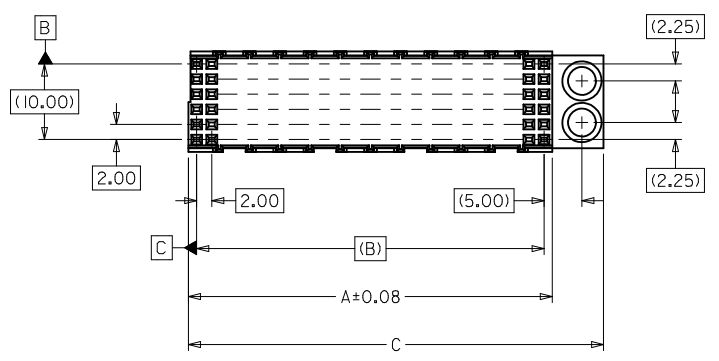
HDM and High Density Metric are trademarks of Amphenol Corporation

This document was generated on 05/15/2010

PLEASE CHECK WWW.MOLEX.COM FOR LATEST PART INFORMATION

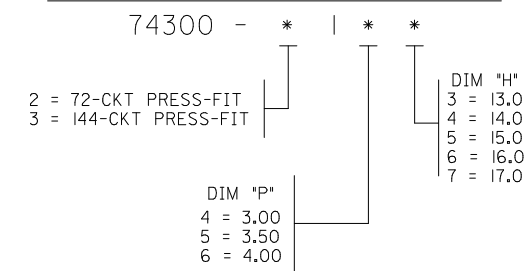


- NOTES:
1. MATERIALS: HOUSING - LIQUID CRYSTAL POLYMER (LCP) BLACK
TERMINALS - HIGH PERFORMANCE COPPER ALLOY
 2. FINISH: SELECTIVE GOLD (Au) IN CONTACT AREA.
2.50 MICROMETER MINIMUM THICKNESS.
SELECTIVE TIN/LEAD (Sn/Pb) ON PRESS FIT TAILS.
0.88 MICROMETER MINIMUM THICKNESS.
NICKEL OVERALL.
 3. THIS PART CONFORMS TO MOLEX PRODUCT SPEC PS-73780-999.
 4. 144 CKT STACKING MODULE SHOWN FOR ILLUSTRATION PURPOSES.
SEE CHART FOR TABULATED DIMENSIONS.
 5. 74300-***7 PARTS TO BE PACKAGED IN TUBES PER PK-70873-0872.
ALL OTHER PARTS TO BE PACKAGED IN TUBES PER PK-70873-0900.
 6. DEPENDING ON APPLICATION, THIS HOLE MAY BE NEEDED FOR
CLEARANCE OF BACKPLANE GUIDE PIN. LOCATION OF HOLE WILL
DEPEND ON LOCATION OF GUIDE PIN.
 7. TRUE POSITION OF TAILS IS INSPECTED USING GAGE NUMBER
73727-0014.
 8. THIS PART CONFORMS TO MOLEX COSMETIC SPEC PS-45499-002 CLASS B.



PCB LAYOUT: COMPONENT SIDE

MATERIAL NUMBER ASSIGNMENT



74300 - 31**	144	48.17	46.00	54.95
74300 - 21**	72	24.17	22.00	30.95
MATERIAL NUMBER	CIRCUIT SIZE	DIM A	DIM B	DIM C

UPDATE TO LEADED ONLY EC NO: UCP2010-1860 DRWN: JELTON 2010/01/25 CHKD: SDANNELLEY 2006/02/14 APPR: SMILLER 2010/02/08	QUALITY SYMBOLS ▽=0 ▽=0 ▽=0	GENERAL TOLERANCES (UNLESS SPECIFIED)		DIMENSION STYLE MM ONLY		SCALE	DESIGN UNITS METRIC	THIRD ANGLE PROJECTION		
		4 PLACES ± ---	± ---	mm	INCH	DRAWN BY	DATE	TITLE SALES ASSY, HDM LEADED DAUGHTERCARD STACKING MODULE, GUIDE OPTION		
		3 PLACES ± ---	± ---			CHECKED BY	DATE	MOLEX MOLEX INCORPORATED		
		2 PLACES ± ---	± ---			SREED	2006/02/14	DOCUMENT NO. SD-74300-002		
		1 PLACE ± ---	± ---			APPROVED BY	DATE	SHEET NO. 1 OF 1		
		ANGULAR ±1/2°		SEE TABLE		THIS DRAWING CONTAINS INFORMATION THAT IS PROPRIETARY TO MOLEX INCORPORATED AND SHOULD NOT BE USED WITHOUT WRITTEN PERMISSION				
DRAFT WHERE APPLICABLE MUST REMAIN WITHIN DIMENSIONS										