

**PLEASE CHECK WWW.MOLEX.COM FOR LATEST PART INFORMATION**

**Part Number:** **0365380013**  
**Status:** **Active**  
**Overview:** [mlx](#)  
**Description:** 6.35mm (.250") Pitch MLX™ Power Connector Header, Vertical, with Compliant Polarizing Peg, 6 Circuits, Polyester 94V-0, White, Lead-free

**Documents:**

[3D Model](#) [Product Specification PSX-42002-0001 \(PDF\)](#)  
[Drawing \(PDF\)](#) [RoHS Certificate of Compliance \(PDF\)](#)

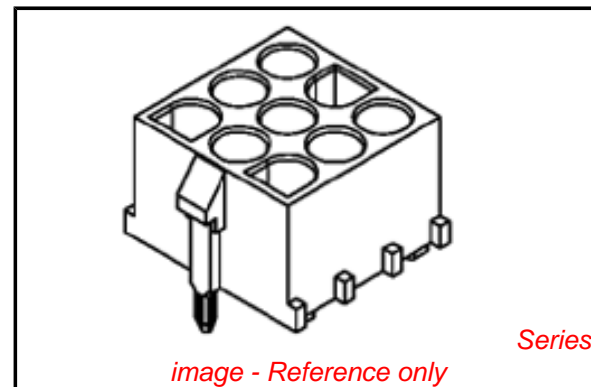
**General**

Product Family	PCB Headers
Series	<a href="#">36538</a>
Application	Wire-to-Board
Overview	<a href="#">mlx</a>
Product Name	MLX™

**Physical**

Breakaway	No
Circuits (Loaded)	6
Circuits (maximum)	6
Circuits Detail	With Compliant Polarizing Peg
Color - Resin	Natural
Durability (mating cycles max)	50
First Mate / Last Break	No
Glow-Wire Compliant	No
Guide to Mating Part	No
Keying to Mating Part	None
Lock to Mating Part	Yes
Material - Metal	Phosphor Bronze
Material - Plating Mating	Tin
Material - Resin	Polyester
Number of Rows	2
Orientation	Vertical
PC Tail Length (in)	0.170 In
PC Tail Length (mm)	4.30 mm
PCB Locator	Yes
PCB Retention	Yes
PCB Thickness Recommended (in)	0.062 In
PCB Thickness Recommended (mm)	1.57 mm
Packaging Type	Bag
Pitch - Mating Interface (in)	0.250 In
Pitch - Mating Interface (mm)	6.35 mm
Pitch - Term. Interface (in)	0.250 In
Pitch - Term. Interface (mm)	6.35 mm
Plating min: Mating (µin)	20
Plating min: Mating (µm)	0.51
Polarized to Mating Part	Yes
Polarized to PCB	Yes
Shrouded	Fully
Stackable	No
Surface Mount Compatible (SMC)	No
Temperature Range - Operating	-55°C to +105°C
Termination Interface: Style	Through Hole

**Electrical**



*image - Reference only*

**EU RoHS**

**ELV and RoHS  
Compliant**  
**REACH SVHC  
Contains SVHC: No**  
**Halogen-Free  
Status**

**China RoHS**



**Not Reviewed**

**Need more information on product  
environmental compliance?**

Email [productcompliance@molex.com](mailto:productcompliance@molex.com)  
For a multiple part number RoHS Certificate of Compliance, [click here](#)

Please visit the [Contact Us](#) section for any non-product compliance questions.

**Search Parts in this Series**  
[36538Series](#)

Current - Maximum per Contact	9A
Voltage - Maximum	600V

**Solder Process Data**

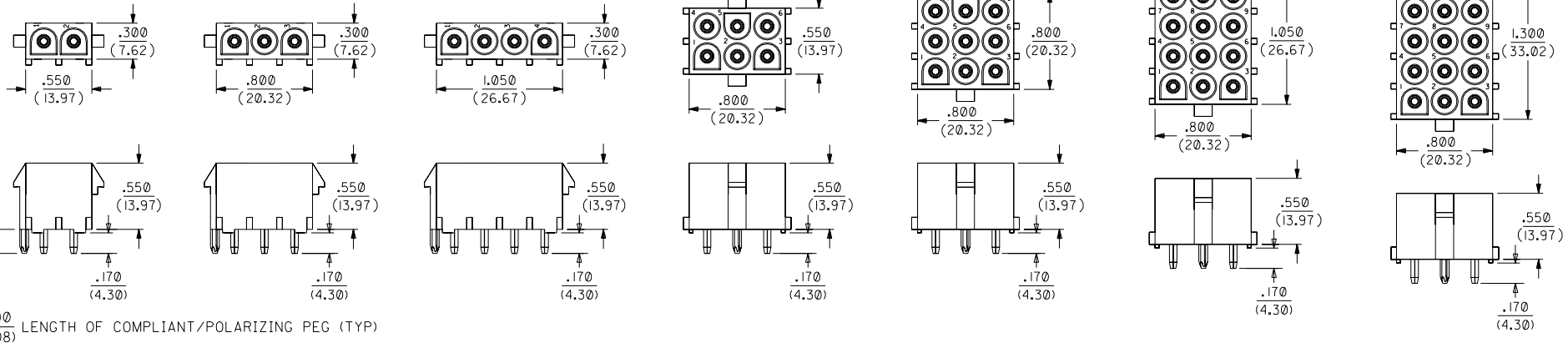
Duration at Max. Process Temperature (seconds)	10
Lead-free Process Capability	Wave Capable (TH only)
Process Temperature max. C	260

**Material Info****Reference - Drawing Numbers**

Product Specification	PSX-42002-0001
Sales Drawing	SD-36538-001

This document was generated on 05/24/2010

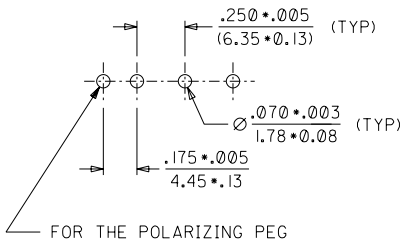
**PLEASE CHECK [WWW.MOLEX.COM](http://WWW.MOLEX.COM) FOR LATEST PART INFORMATION**



$\frac{.200}{(5.08)}$  LENGTH OF COMPLIANT/POLARIZING PEG (TYP)

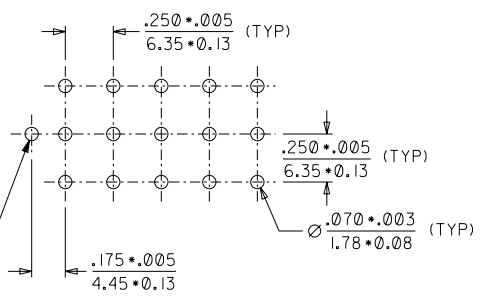
P.C. BOARD MOUNTING DIMENSIONS

2, 3 & 4 POSITION HEADER ASSEMBLIES



FOR THE POLARIZING PEG

6, 9, 12 & 15 POSITION HEADER ASSEMBLY





FOR THE POLARIZING PEG

NOTES:

- 1) MATERIAL CODES:  
HOUSING :  
\*A= UNREINFORCED POLYESTER, 94V-0.  
COLOR: WHITE  
\*B= UNREINFORCED POLYESTER, 94V-0.  
COLOR: BRICK RED  
\*C= NYLON (PA66), UL94V-2  
COLOR: WHITE, TRANSLUCENT  
TERMINAL : PHOSPHOR BRONZE
- 2) FINISH:  
TIN-LEAD 20 MICROINCH (0.51 MICRONS) MINIMUM
- 3) TERMINAL LENGTH IS SUITABLE FOR .062/(1.57) THICK P.C BOARD
- 4) DIMENSIONS ARE FOR REFERENCE ONLY UNLESS INDICATED OTHERWISE.
- 5) HEADER ASSEMBLY HOUSINGS MATE WITH :  
- PLUG HOUSINGS, .084/(2.13) DIA. SERIES: (42021-\*\*) )
- 6) CONTACTS ARE ON .250/(6.35) GRID CENTERLINE SPACING.

EC NO. I 2003-0027 A1 DRWNS.S 20/01/03 CHK: G.L 20/01/03 APPR: G.L 20/01/03	DESCRIPTION MAJOR CRITICAL	GENERAL TOLERANCES: (UNLESS SPECIFIED)		SCALE 1.5:1	DESIGN UNITS <input type="checkbox"/> mm <input checked="" type="checkbox"/> INCH	DIMENSIONS: <input type="checkbox"/> mm <input checked="" type="checkbox"/> INCH <input type="checkbox"/> mm ONLY		SHT	REV	
		4 PLACES ±0.	±.	DRAWN BY & DATE S.S 01/09/28	THIRD ANGLE PROJECTION		TITLE: HEADER HOUSING ASSEMBLIES .084/(2.13) SERIES WITH COMPLIANT/POLARISING PEG		REVISE ON CAD ONLY	
REV		3 PLACES ±0.	±.010	CHECKED BY & DATE G.L 01/09/28	APPROVED BY & DATE G.L 01/09/28		MATERIAL NO. SD-36538-001		DRAWING NO. SD-36538-001	SHEET NO. 1 OF 2
		2 PLACES ±0.25	±.014	CAD FILENAME SD-36538-001.S01		MOLEX INCORPORATED		THIS DRAWING CONTAINS INFORMATION THAT IS PROPRIETARY TO MOLEX INCORPORATED AND SHOULD NOT BE USED WITHOUT WRITTEN PERMISSION.		SIZE C
		1 PLACE ±0.36	±.	ANGULAR: ± 1/2°						
		DRAFT WHERE APPLICABLE MUST REMAIN WITHIN DIMENSIONS								

	13	12	11	10	9	8	7	6	5	4	3	2	
	ITEM NO.	CIRCUIT SIZE	MATERIAL COLOR (SEE NOTE 1)										
J	36538-0001	2	A										
	36538-0002		B										
	36538-0003		C										
	36538-0004	3	A										
	36538-0005		B										
	36538-0006		C										
I	36538-0007	9	A										
	36538-0008		B										
	36538-0009		C										
	36538-0010		A										
	36538-0011	4	B										
	36538-0012		C										
	36538-0013		A										
H	36538-0014	6	B										
	36538-0015		C										
	36538-0016		A										
	36538-0017	15	B										
	36538-0018		C										
	36538-0019		A										
	36538-0020	12	B										
G	36538-0021		C										

EC NO. I 2003-0027 DRWNS.S 20/01/03 CHK: G.L 20/01/03 APPR: G.L 20/01/03	QUALITY SYMBOLS MAJOR  = CRITICAL  =	GENERAL TOLERANCES: (UNLESS SPECIFIED)		SCALE	DESIGN UNITS	THIRD ANGLE PROJECTION	DIMENSIONS:	SHT	REV
			mm	INCH	<input type="checkbox"/> mm <input checked="" type="checkbox"/> INCH	<input type="checkbox"/> mm <input checked="" type="checkbox"/> INCH	<input type="checkbox"/> mm ONLY		
		4 PLACES	±0.	±.	DRAWN BY & DATE S.S 01/09/28	TITLE: HEADER HOUSING ASSEMBLIES .084/(2.13) SERIES WITH COMPLIANT/POLARIZING PEG			
		3 PLACES	±0.	±. 010	CHECKED BY & DATE G.L 01/09/28	MATERIAL NO. DRAWING NO. SEE CHART SD-36538-001			
2 PLACES	±0.25	±. 014	APPROVED BY & DATE G.L 01/09/28	MATERIAL NO. DRAWING NO. SEE CHART SD-36538-001		SHEET NO. 2 OF 2			
1 PLACE	±0.36	±.	ANGULAR: ± 1/2°	CAD FILENAME SD-36538-001.S02		THIS DRAWING CONTAINS INFORMATION THAT IS PROPRIETARY TO MOLEX INCORPORATED AND SHOULD NOT BE USED WITHOUT WRITTEN PERMISSION.		SIZE C	
REV	DESCRIPTION	DRAFT WHERE APPLICABLE MUST REMAIN WITHIN DIMENSIONS							