

**PLEASE CHECK WWW.MOLEX.COM FOR LATEST PART INFORMATION**

**Part Number:** [0365380001](#)  
**Status:** **Active**  
**Overview:** [mlx](#)  
**Description:** 6.35mm (.250") Pitch MLX™ Power Connector Header, Vertical, with Compliant Polarizing Peg, 2 Circuits, Unreinforced Polyester 94V-0, White, Lead-free

**Documents:**

[3D Model](#) [Product Specification PSX-42002-0001 \(PDF\)](#)  
[Drawing \(PDF\)](#) [RoHS Certificate of Compliance \(PDF\)](#)

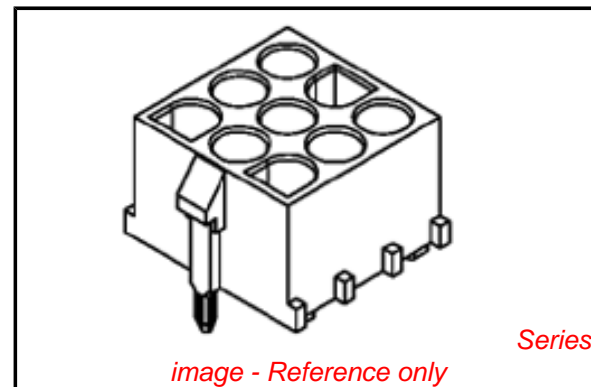
**General**

Product Family	PCB Headers
Series	<a href="#">36538</a>
Application	Wire-to-Board
Overview	<a href="#">mlx</a>
Product Name	MLX™

**Physical**

Breakaway	No
Circuits (Loaded)	2
Circuits (maximum)	2
Circuits Detail	With Compliant Polarizing Peg
Color - Resin	Natural
Durability (mating cycles max)	50
First Mate / Last Break	No
Glow-Wire Compliant	No
Guide to Mating Part	No
Keying to Mating Part	None
Lock to Mating Part	Yes
Material - Metal	Phosphor Bronze
Material - Plating Mating	Tin
Material - Resin	Polyester
Number of Rows	1
Orientation	Vertical
PC Tail Length (in)	0.170 In
PC Tail Length (mm)	4.30 mm
PCB Locator	Yes
PCB Retention	Yes
PCB Thickness Recommended (in)	0.062 In
PCB Thickness Recommended (mm)	1.57 mm
Packaging Type	Bag
Pitch - Mating Interface (in)	0.250 In
Pitch - Mating Interface (mm)	6.35 mm
Pitch - Term. Interface (in)	0.250 In
Pitch - Term. Interface (mm)	6.35 mm
Plating min: Mating (µin)	20
Plating min: Mating (µm)	0.51
Polarized to Mating Part	Yes
Polarized to PCB	Yes
Shrouded	Fully
Stackable	No
Surface Mount Compatible (SMC)	No
Temperature Range - Operating	-55°C to +105°C
Termination Interface: Style	Through Hole

**Electrical**



*image - Reference only*

**EU RoHS**

**ELV and RoHS Compliant**  
**REACH SVHC Contains SVHC: No**  
**Halogen-Free Status**

**China RoHS**



**Need more information on product environmental compliance?**

Email [productcompliance@molex.com](mailto:productcompliance@molex.com)  
 For a multiple part number RoHS Certificate of Compliance, [click here](#)

Please visit the [Contact Us](#) section for any non-product compliance questions.

**Search Parts in this Series**  
[36538Series](#)

Current - Maximum per Contact	12A
Voltage - Maximum	600V

**Solder Process Data**

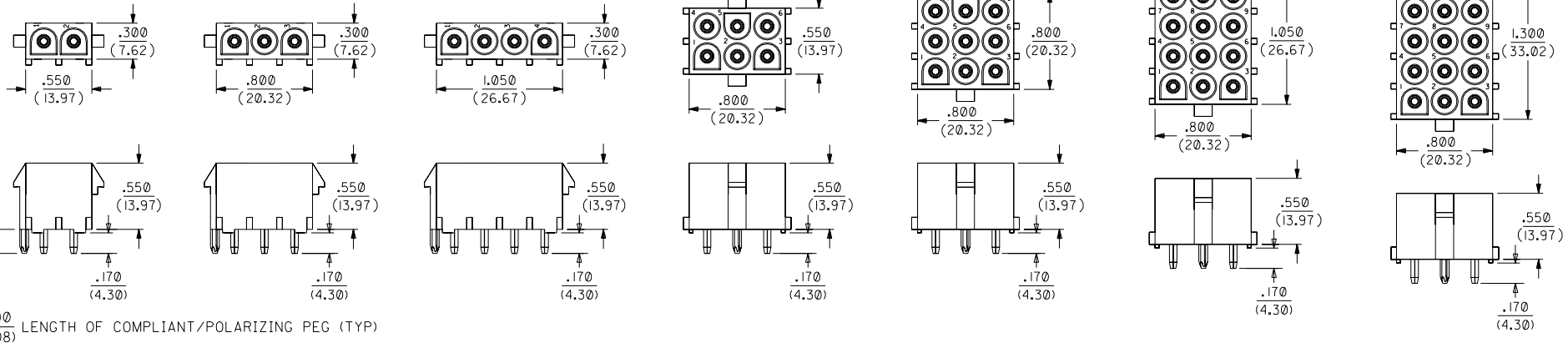
Duration at Max. Process Temperature (seconds)	10
Lead-free Process Capability	Wave Capable (TH only)
Process Temperature max. C	260

**Material Info****Reference - Drawing Numbers**

Product Specification	PSX-42002-0001
Sales Drawing	SD-36538-001

This document was generated on 05/24/2010

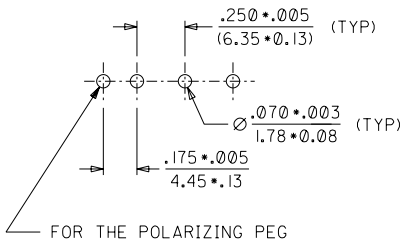
**PLEASE CHECK [WWW.MOLEX.COM](http://WWW.MOLEX.COM) FOR LATEST PART INFORMATION**



$\frac{.200}{(5.08)}$  LENGTH OF COMPLIANT/POLARIZING PEG (TYP)

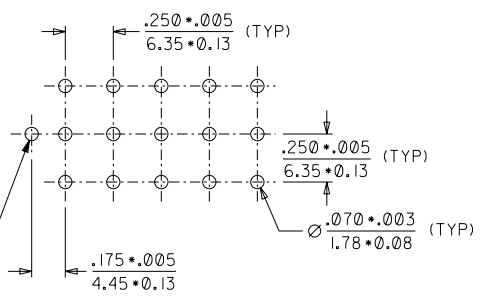
P.C. BOARD MOUNTING DIMENSIONS

2, 3 & 4 POSITION HEADER ASSEMBLIES



FOR THE POLARIZING PEG

6, 9, 12 & 15 POSITION HEADER ASSEMBLY



FOR THE POLARIZING PEG

NOTES:

- 1) MATERIAL CODES:  
HOUSING :  
\*A= UNREINFORCED POLYESTER, 94V-0.  
COLOR: WHITE  
\*B= UNREINFORCED POLYESTER, 94V-0.  
COLOR: BRICK RED  
\*C= NYLON (PA66), UL94V-2  
COLOR: WHITE, TRANSLUCENT  
TERMINAL : PHOSPHOR BRONZE
- 2) FINISH:  
TIN-LEAD 20 MICROINCH (0.51 MICRONS) MINIMUM
- 3) TERMINAL LENGTH IS SUITABLE FOR .062/(1.57) THICK P.C BOARD
- 4) DIMENSIONS ARE FOR REFERENCE ONLY UNLESS INDICATED OTHERWISE.
- 5) HEADER ASSEMBLY HOUSINGS MATE WITH :  
- PLUG HOUSINGS, .084/(2.13) DIA. SERIES: (42021-\*\*)
- 6) CONTACTS ARE ON .250/(6.35) GRID CENTERLINE SPACING.

EC NO. I 2003-0027 A1 DRWNS.S 20/01/03 CHK: G.L 20/01/03 APPR: G.L 20/01/03	DESCRIPTION MAJOR CRITICAL	GENERAL TOLERANCES: (UNLESS SPECIFIED)		SCALE 1.5:1	DESIGN UNITS <input type="checkbox"/> mm <input checked="" type="checkbox"/> INCH	DIMENSIONS: <input type="checkbox"/> mm <input checked="" type="checkbox"/> INCH <input type="checkbox"/> mm ONLY	SHT	REV
		4 PLACES ±0.25	±.010	DRAWN BY & DATE S.S 01/09/28	THIRD ANGLE PROJECTION		REVISE ON CAD ONLY	
REV		3 PLACES ±0.25	±.014	CHECKED BY & DATE G.L 01/09/28	TITLE: HEADER HOUSING ASSEMBLIES .084/(2.13) SERIES WITH COMPLIANT/POLARISING PEG			
		2 PLACES ±0.25	±.014	APPROVED BY & DATE G.L 01/09/28	MATERIAL NO. SD-36538-001			
		1 PLACE ±0.36	±.	CAD FILENAME SD-36538-001.S01	DRAWING NO. SD-36538-001			
		ANGULAR: ± 1/2°		THIS DRAWING CONTAINS INFORMATION THAT IS PROPRIETARY TO MOLEX INCORPORATED AND SHOULD NOT BE USED WITHOUT WRITTEN PERMISSION.		SHEET NO. 1 OF 2		SIZE C

ITEM NO.	CIRCUIT SIZE	MATERIAL COLOR (SEE NOTE 1)
36538-0001	2	A
36538-0002		B
36538-0003		C
36538-0004	3	A
36538-0005		B
36538-0006		C
36538-0007	9	A
36538-0008		B
36538-0009		C
36538-0010	4	A
36538-0011		B
36538-0012		C
36538-0013	6	A
36538-0014		B
36538-0015		C
36538-0016	15	A
36538-0017		B
36538-0018		C
36538-0019	12	A
36538-0020		B
36538-0021		C

EC NO. I 2003-0027 DRWNS: S 20/01/03 CHK: G.L 20/01/03 APPR: G.L 20/01/03	QUALITY SYMBOLS MAJOR  = CRITICAL  =	GENERAL TOLERANCES: (UNLESS SPECIFIED)		SCALE	DESIGN UNITS <input type="checkbox"/> mm <input checked="" type="checkbox"/> INCH	THIRD ANGLE PROJECTION <input type="checkbox"/> mm <input checked="" type="checkbox"/> INCH <input type="checkbox"/> mm ONLY	DIMENSIONS:	SHT	REV
		4 PLACES ±0.     ±.	DRAWN BY & DATE S.S 01/09/28	TITLE: HEADER HOUSING ASSEMBLIES .084/(2.13) SERIES WITH COMPLIANT/POLARIZING PEG			REVISION ON CAD ONLY		
		3 PLACES ±0.     ±. 010	CHECKED BY & DATE G.L 01/09/28	MOLEX INCORPORATED					
		2 PLACES ±0.25     ±. 014	APPROVED BY & DATE G.L 01/09/28	CAD FILENAME SD-36538-001.S02	MATERIAL NO. SEE CHART	DRAWING NO. SD-36538-001	SHEET NO. 2 OF 2		
1 PLACE ±0.36     ±.	ANGULAR: ± 1/2°	DRAFT WHERE APPLICABLE MUST REMAIN WITHIN DIMENSIONS		THIS DRAWING CONTAINS INFORMATION THAT IS PROPRIETARY TO MOLEX INCORPORATED AND SHOULD NOT BE USED WITHOUT WRITTEN PERMISSION.			SIZE C		