

PLEASE CHECK WWW.MOLEX.COM FOR LATEST PART INFORMATION

Part Number: [0850010220](#)
Status: **Active**
Overview: IEC 603-2 / DIN 41612
Description: 2.54mm (.100") Pitch DIN 41612 B Style Male Header, PCT, Right Angle, Through Hole, 0.60µm (24µ") Selective Gold (Au) Plating, 32 Circuits, with Mounting Clips and Flux Proof

Documents:

[Drawing \(PDF\)](#) [RoHS Certificate of Compliance \(PDF\)](#)
[Product Specification PS-85003-0001 \(PDF\)](#)

Agency Certification

CSA LR19980
 UL E29179

General

Product Family Backplane Connectors
 Series [85001](#)
 Application Backplane
 Comments With Mounting Clips. With Flux Proof. 4.2mm(.165") Last-Mate- First-Break Contacts. 5.4mm(.213") First-Mate-Last-Break Contacts. 4.8mm(.189") Normal Contacts
 Component Type PCB Header
 Overview [IEC 603-2 / DIN 41612](#)
 Product Name IEC 603-2/DIN 41612
 Style B

Physical

Circuits (Loaded) 32
 Circuits (maximum) 64
 Circuits Detail Contact Positions: a1-a32
 Color - Resin Natural
 Durability (mating cycles max) 400
 First Mate / Last Break Yes
 Flammability 94V-0
 Guide to Mating Part No
 Keying to Mating Part Yes
 Material - Metal Brass
 Material - Plating Mating Gold
 Material - Plating Termination Tin
 Material - Resin Polyester
 Number of Columns 16
 Number of Pairs Open Pin Field
 Number of Rows 2
 Orientation Right Angle
 PC Tail Length (in) 0.118 In
 PC Tail Length (mm) 3.00 mm
 PCB Locator No
 PCB Retention Yes
 Packaging Type Carton
 Pitch - Mating Interface (in) 0.100 In
 Pitch - Mating Interface (mm) 2.54 mm
 Pitch - Term. Interface (in) 0.100 In
 Pitch - Term. Interface (mm) 2.54 mm
 Plating min: Mating (µin) 24

EU RoHS **China RoHS**

Compliance Status

Not Reviewed

REACH SVHC

Not Reviewed

Halogen-Free Status

Not Reviewed

Need more information on product environmental compliance?

Email productcompliance@molex.com
 For a multiple part number RoHS Certificate of Compliance, [click here](#)

Please visit the [Contact Us](#) section for any non-product compliance questions.

Search Parts in this Series

[85001Series](#)

Plating min: Mating (μm)	0.60
Plating min: Termination (μin)	98
Plating min: Termination (μm)	2.5
Polarized to PCB	Yes
Stackable	No
Surface Mount Compatible (SMC)	No
Temperature Range - Operating	-55°C to +125°C
Termination Interface: Style	Through Hole

Electrical

Current - Maximum per Contact	1A
Data Rate	622.0 Mbps
Voltage - Maximum	250V AC (RMS)

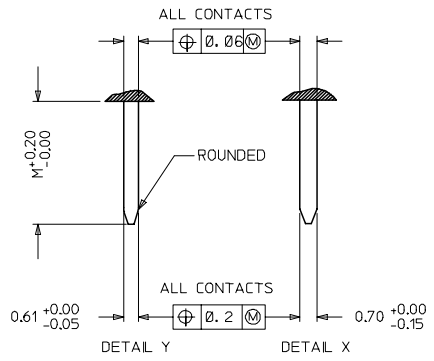
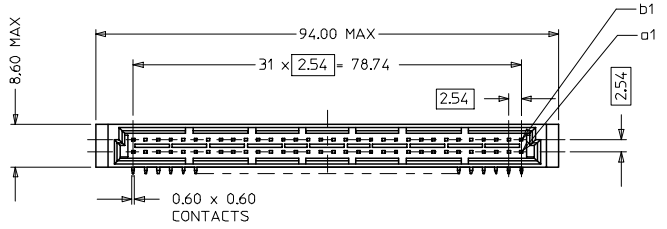
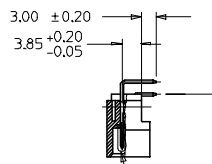
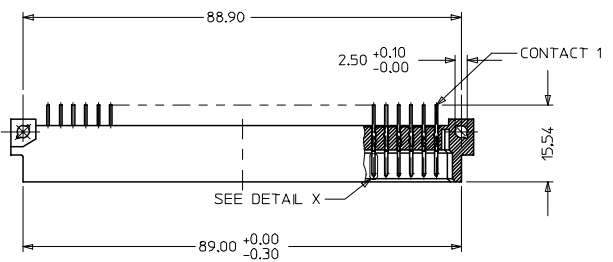
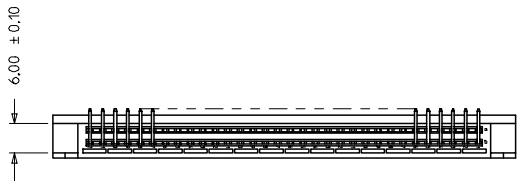
Material Info

Reference - Drawing Numbers

Product Specification	PS-85003-0001
Sales Drawing	SD-85001-0001, SD-85001-0220, SDA-85001-0001, SDA-85001-0220

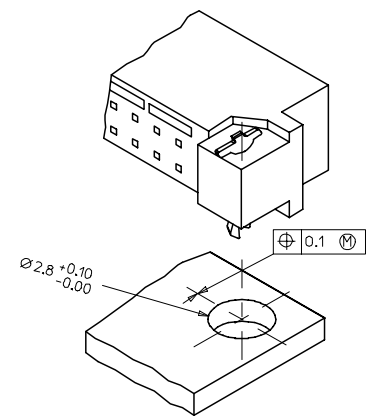
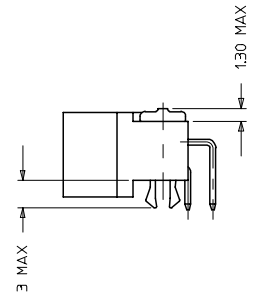
This document was generated on 03/09/2010

PLEASE CHECK WWW.MOLEX.COM FOR LATEST PART INFORMATION



WITH MOUNTING CLIPS

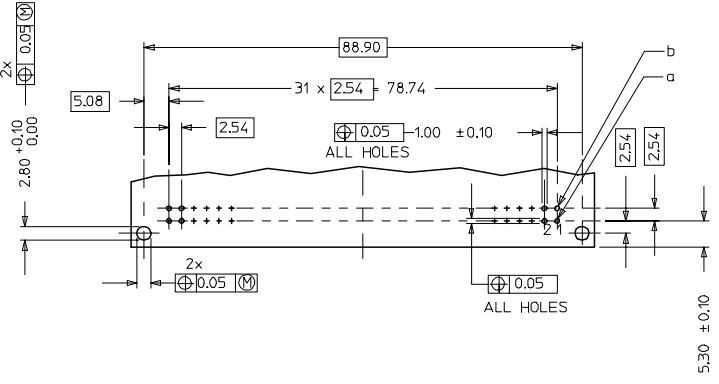
8:1



NOTES:

- MATERIALS: THERMX (PCT), GLASS FILLED, UL94V-0.COLOUR: NATURAL
TERMINAL - BRASS
MOUNTING CLIP: STEEL
- FINISH: TERMINAL-
CONTACT AREA
1. PERFORMANCE LEVEL 1: SELECTIVE GOLD (Au), THICKNESS = 1.1 MICROMETER
OVER NICKEL, THICKNESS = 1.25 MICROMETER
2. PERFORMANCE LEVEL 2: SELECTIVE GOLD (Au), THICKNESS = 0.6 MICROMETER
OVER NICKEL, THICKNESS = 1.25 MICROMETER
3. PERFORMANCE LEVEL 3: SELECTIVE GOLD (Au), THICKNESS = 0.3 MICROMETER
OVER NICKEL, THICKNESS = 1.25 MICROMETER
TERMINATION AREA:
SELECTIVE TIN, THICKNESS = 2.5 MICROMETER
OVER NICKEL, THICKNESS = 1.25 MICROMETER OVERALL
- MOUNTING CLIP:-
TIN (Sn), THICKNESS = 5-10 MICROMETER,
OVER NICKEL (Ni), THICKNESS = 2.5 MICROMETER
- FOR NON MOUNTING CLIP OPTION, CONNECTOR TO BE SECURED WITH
RIVETS: 2 TUBULAR RIVETS 2.5 x 0.3 _ DIN 7340
SCREWS: 2 CHEESEHEAD SCREWS M2.5 x _ DIN 84 AND 2 HEXAGONAL NUTS M2.5 DIN 934
- MATERIAL NUMBER, BATCH CODE, UL AND CSA MARKING
TO BE PRINTED ON THE CONNECTOR
- CUT FACE OF TIP WITHOUT PLATING PERMITTED
- PRODUCT SPECIFICATION PS : 85003-0001

RECOMMENDED PCB LAYOUT
COMPONENT SIDE



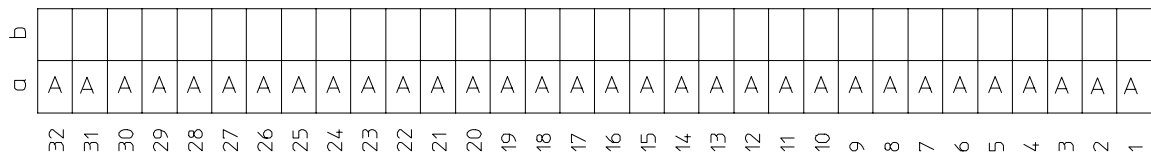
LMFB CONTACTS	4.2
FMLB CONTACTS	5.4
NORMAL CONTACTS	4.8
	M

RoHS COMPLIANT

ENTER DESCRIPTION ELC INC. 2007-0193 DRAWING NO. 2007/01108 CHECKED BY CHIKOSUDHIR APPROVED BY APPROPRIATE	QUALITY SYMBOLS ▽=0 ▽=0	GENERAL TOLERANCES (UNLESS SPECIFIED)		DIMENSION STYLE MM ONLY		SCALE 2:1	DESIGN UNITS METRIC	THIRD ANGLE PROJECTION
		4 PLACES ± --- ± --- 3 PLACES ± 0.05 ± --- 2 PLACES ± 0.1 ± --- 1 PLACE ± 0.15 ± ---	INCH ± --- ± --- ± --- ± ---	DRAWN BY SS	DATE 1999/10/14	CHECKED BY G J LOWE	DATE 1999/10/14	ASSEMBLY, DIN 41612, B MALE, 64 POS
DRAFT WHERE APPLICABLE MUST REMAIN WITHIN DIMENSIONS		MATERIAL NO. SEE CHART		APPROVED BY G J LOWE		DATE 1999/10/14	MOLEX INCORPORATED DOCUMENT NO. SD-85001-0001	
SIZE A 1		THIS DRAWING CONTAINS INFORMATION THAT IS PROPRIETARY TO MOLEX INCORPORATED AND SHOULD NOT BE USED WITHOUT WRITTEN PERMISSION						

7 6 5 4 3 2 1

VIEW ON MATING SIDE



A = 32 STANDARD CONTACTS L = 3
 S = 32 TOTAL NUMBER OF CONTACTS

MARKING	STANDARD
PERFORMANCE LEVEL	G2/0 = CONTACT AREA LEVEL 2 / TERMINATION TIN
FLUX PROOF	YES
FIXING CLIP	YES
DIMENSIONS	SD-85001-0001 SHT 1

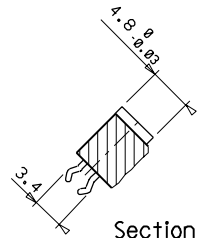
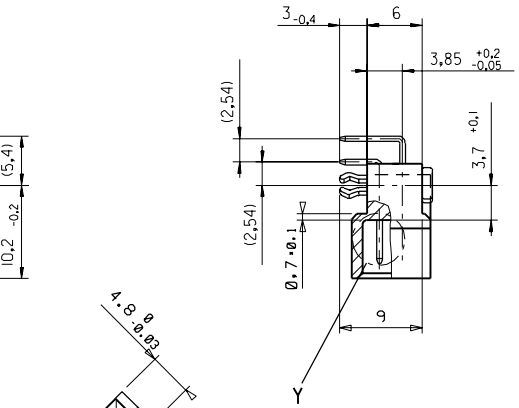
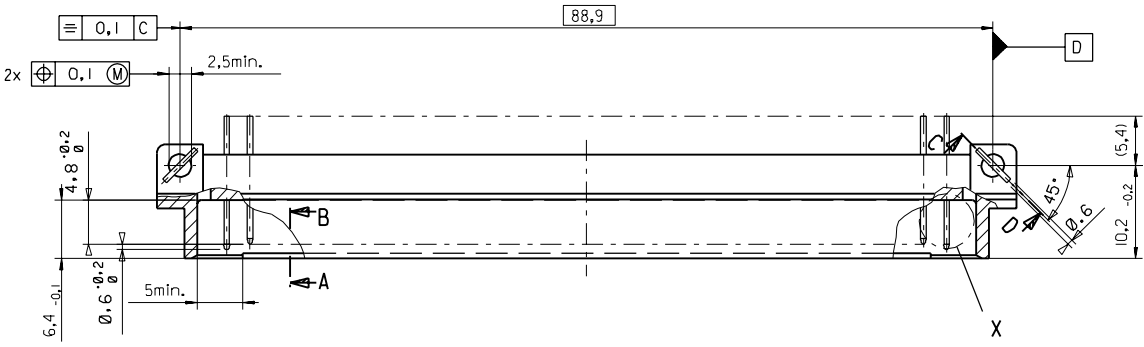
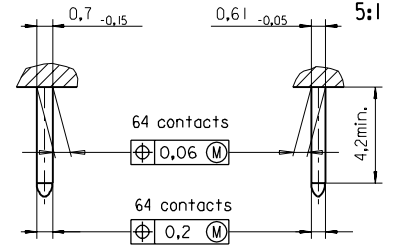
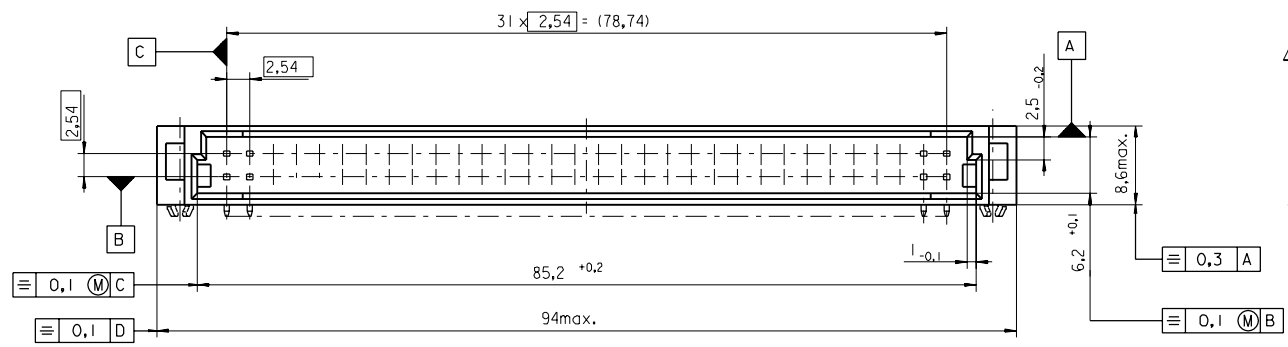
A	G2/0	a1-a32
CONTACT SYMBOL	PERFORMANCE LEVEL	CONTACT POSITION NUMBER

ENTER DESCRIPTION EC NO: I2007-0508 DRWN: SATTIMARAD 2007/06/19 CHKD: KPRASAD 2007/06/19 APPR: KPRASAD 2007/06/22	DESCRIPTION 1	QUALITY SYMBOLS 	GENERAL TOLERANCES (UNLESS SPECIFIED)		DIMENSION STYLE MM ONLY	SCALE ---	DESIGN UNITS METRIC	THIRD ANGLE PROJECTION																													
			<table border="1"> <tr> <th></th> <th>mm</th> <th>INCH</th> </tr> <tr> <td>4 PLACES</td> <td>±---</td> <td>±---</td> </tr> <tr> <td>3 PLACES</td> <td>±---</td> <td>±---</td> </tr> <tr> <td>2 PLACES</td> <td>±---</td> <td>±---</td> </tr> <tr> <td>1 PLACE</td> <td>±---</td> <td>±---</td> </tr> </table>		mm	INCH	4 PLACES	±---	±---	3 PLACES	±---	±---	2 PLACES	±---	±---	1 PLACE	±---	±---	<table border="1"> <tr> <th>DRAWN BY</th> <th>DATE</th> <th>TITLE</th> </tr> <tr> <td>SHANKAR</td> <td>2007/06/13</td> <td rowspan="3"> MALE DIN CONNECTOR DIN 41612 STYLE B 64 POS WITH CLIP </td> </tr> <tr> <th>CHECKED BY</th> <th>DATE</th> </tr> <tr> <td>KPRASAD</td> <td>2007/06/13</td> </tr> <tr> <th>APPROVED BY</th> <th>DATE</th> <td> MOLEX INCORPORATED </td> </tr> <tr> <td>KPRASAD</td> <td>2007/06/13</td> <td> MATERIAL NO. 85001-0220 </td> </tr> </table>	DRAWN BY	DATE	TITLE	SHANKAR	2007/06/13	MALE DIN CONNECTOR DIN 41612 STYLE B 64 POS WITH CLIP	CHECKED BY	DATE	KPRASAD	2007/06/13	APPROVED BY	DATE	MOLEX INCORPORATED	KPRASAD	2007/06/13	MATERIAL NO. 85001-0220	DOCUMENT NO. SD-85001-0220	SHEET NO. 1 OF 1
				mm	INCH																																
			4 PLACES	±---	±---																																
3 PLACES	±---	±---																																			
2 PLACES	±---	±---																																			
1 PLACE	±---	±---																																			
DRAWN BY	DATE	TITLE																																			
SHANKAR	2007/06/13	MALE DIN CONNECTOR DIN 41612 STYLE B 64 POS WITH CLIP																																			
CHECKED BY	DATE																																				
KPRASAD	2007/06/13																																				
APPROVED BY	DATE	MOLEX INCORPORATED																																			
KPRASAD	2007/06/13	MATERIAL NO. 85001-0220																																			
DRAFT WHERE APPLICABLE MUST REMAIN WITHIN DIMENSIONS			SIZE 	THIS DRAWING CONTAINS INFORMATION THAT IS PROPRIETARY TO MOLEX INCORPORATED AND SHOULD NOT BE USED WITHOUT WRITTEN PERMISSION																																	

6 5 4 3 2 1

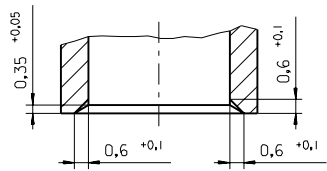
PART NO.
DWG. NO.

View X
5:1
View Y
5:1



Section C - D

Section A - B
5:1



FIRST ANGLE PROJECTION		REVISE ONLY ON CAD SYSTEM		SH.	REV.
first release see ECN No. 1887	REVISIONS FOR PREVIOUS REVISIONS SEE MRI LIST	DRWG BY	SIGN	CAD/CAM PROJECT NAME 85001000 611	
		CHK'D BY	SIGN	THIS DRAWING CONTAINS INFORMATION THAT IS PROPRIETARY TO MOLEX INC. & SHOULD NOT BE USED WITHOUT WRITTEN PERMISSION	
A	LTR	APP'D BY	SIGN	TITLE 64 pos. Male connector acc. DIN 41612 style B Dimensions	
		SCALE 2:1		SHEET NO. DATE 1 OF 95/06/06	
IF TWO DIMENSIONS ARE SHOWN THE UPPER IS THE DESIGN DIMENSION, LOWER IS SECONDARY		MOLEX MOLEX EUROPE		PART NO. DWG NO. SIZE SDA-85001-0001 B	

View on mating side

Q																																					
O	A	A	A	A	A	A	A	A	A	A	A	A	A	A	A	A	A	A	A	A	A	A	A	A	A	A	A	A	A	A	A	A	A	A	A	A	

N
M
O
P
Q
R
S
T
U
V
W
X
Y
Z
[
\]
^
_`
a
b
c
d
e
f
g
h
i
j
k
l
m
n
o
p
q
r
s
t
u
v
w
x
y
z
{
|
}

A = 32 standard contacts L=3

Marking	Standard
Performance level	G2/0 = Contact area level2 / Termination tin
Flux proof	yes
Fixing clip	yes
Dimensions	SDA-85001-0001 sht.1
TechnicalData	PS-85003-0001

A G2/0
Contact symbol Perform. level

Contact position number

see ECN No. 2204 96/07/18 Cd REVISIONS		FOR PREVIOUS REVISIONS SEE MRI LIST		UNLESS OTHERWISE SPECIFIED TOLERANCES: ANGULAR ±2° INCH METRIC	DRWG BY Cd	SIGN	TITLE 64 pos. Male connector acc. DIN 41612 style B contacts arrangement	SH. REV.					
C	LTR	96/07/18 Cd	REVISIONS						3 PLACE ±	2 PLACE ±	1 PLACE ±	3 CAD/CAM PROJECT NAME S8500102 S21	THIS DRAWING CONTAINS PROPRIETARY TO MOLEX INC. & SHOULD NOT BE USED WITHOUT WRITTEN PERMISSION
				DRAFT WHERE APPLICABLE MUST REMAIN WITHIN DIMENSIONS	CHK'D BY KN	SCALE	PART NO. DWG NO. SDA-85001-0220						
				DESIGN DIMENSION <input type="checkbox"/> MM <input type="checkbox"/> IN.	APPD BY	EQUIVALENT DIMENSION <input type="checkbox"/> MM <input type="checkbox"/> IN.	DWG NO. SDA-85001-0220						
				IF TWO DIMENSIONS ARE SHOWN, THE UPPER IS THE DESIGN DIMENSION, LOWER IS SECONDARY			SIZE						
								A					