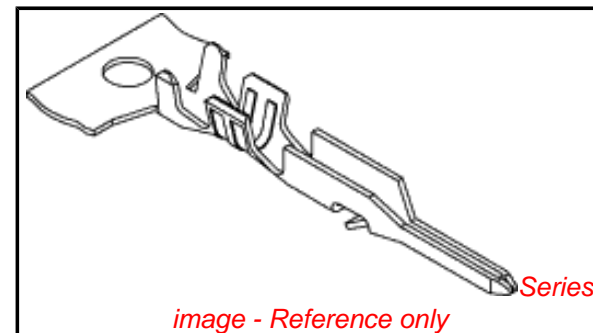


PLEASE CHECK WWW.MOLEX.COM FOR LATEST PART INFORMATION

Part Number: **0008700102**
Status: **Active**
Overview: [spox_bmi](#)
Description: 2.50mm (.098") Pitch SPOX™ Wire-to-Wire Male Crimp Terminal, Reel

Documents:

3D Model	Product Specification PS-5102-006 (PDF)
Drawing (PDF)	Product Specification PS-51191-003 (PDF)
Product Specification PS-5102-003 (PDF)	RoHS Certificate of Compliance (PDF)
Product Specification PS-5102-005 (PDF)	



General

Product Family	Crimp Terminals
Series	5241
Crimp Quality Equipment	Yes
Overview	spox_bmi
Product Name	SPOX™

Physical

Gender	Male
Material - Metal	Brass
Material - Plating Mating	Tin
Material - Plating Termination	Tin
Packaging Type	Reel
Plating min: Mating (µin)	35
Plating min: Mating (µm)	0.88
Plating min: Termination (µin)	35
Plating min: Termination (µm)	0.88
Termination Interface: Style	Crimp or Compression
Wire Insulation Diameter	1.15-1.90mm (.045-.075")
Wire Size AWG	22, 24, 26, 28
Wire Size mm²	N/A

Material Info

Old Part Number	5241T
-----------------	-------

Reference - Drawing Numbers

Product Specification	PS-5102-003, PS-5102-005, PS-5102-006, PS-51191-003
Sales Drawing	SD-5241*

EU RoHS

ELV and RoHS Compliant
REACH SVHC Contains SVHC: No
Halogen-Free Status
Halogen-Free

China RoHS



Need more information on product environmental compliance?

Email productcompliance@molex.com
 For a multiple part number RoHS Certificate of Compliance, [click here](#)

Please visit the [Contact Us](#) section for any non-product compliance questions.

Search Parts in this Series

[5241Series](#)

Mates With

[50802](#) female crimp terminal

Use With

[5240](#)

Application Tooling | FAQ

Tooling specifications and manuals are found by selecting the products below. Crimp Height Specifications are then contained in the Application Tooling Specification document.

Global

Description	Product #
Hand Crimp Tool	0638190800
FineAdjust™	0639004600
Applicator for SPOX™ Wire-to-Board and Wire-to-Wire Terminal, 22-28 AWG	

T2 Terminator 0639104600
Tooling Die

Japan

Description **Product #**

Applicator for M211A 0011260050

Bench Press, 22-28

AWG, for 5241

Crimp Terminal

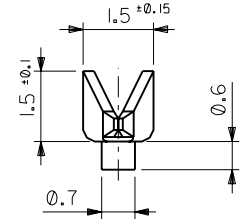
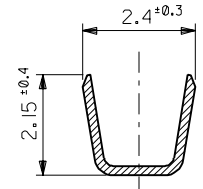
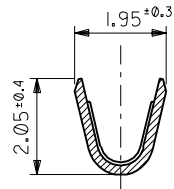
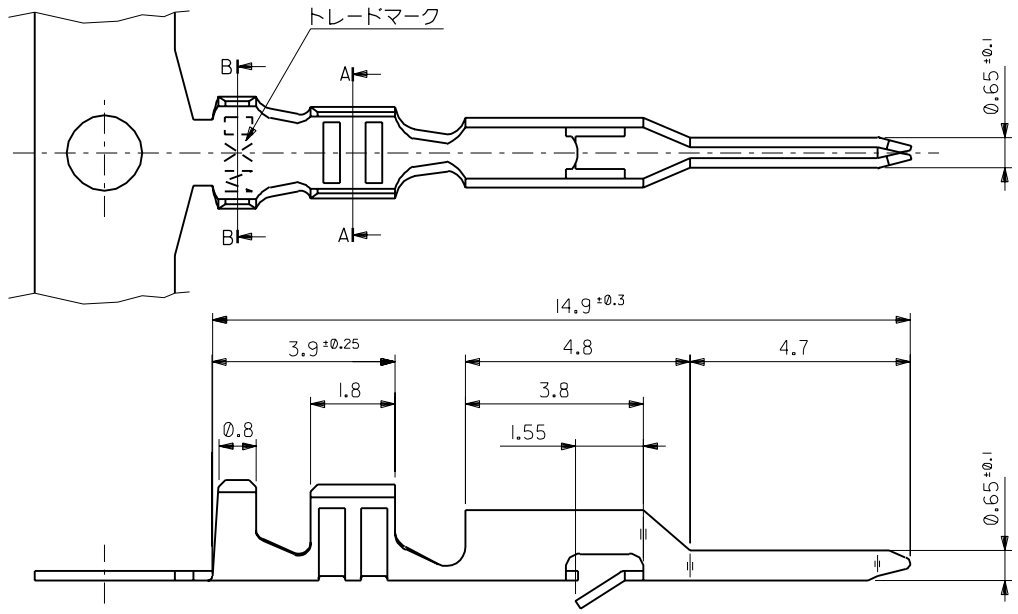
Hand Extraction Tool 0011260060

This document was generated on 05/17/2010

PLEASE CHECK WWW.MOLEX.COM FOR LATEST PART INFORMATION

EDP NO. 08-70-010* ENG. NO. SD-5241*

MM DIMENSIONS IN METRIC DO NOT SCALE DRAWING



- 注記
 1. 適合ハウジング: 5240 & 51012 シリーズ
 2. 嵌合相手ターミナル: 5103*

錫メッキ済黄銅	08-70-0103	524ITL	バラ状
錫メッキ済黄銅	08-70-0102	524IT	連鎖状
材料	EDP NO.	ENG. NO.	端子形状

材料 MATERIAL		表参照 (t0.203)		MOLEX JAPAN CO., LTD. 日本モレックス株式会社	
仕上げ Sn: 0.9μMIN. FINISH Cu: 0.5μMIN.		EDP NO. 08-70-010*		REV D	
適用電線範囲 AWG #22 ~ 28 WIRE RANGE 0.33 ~ 0.08mm ²		ENG. NO. SD-5241*		TITLE 名称 MINI SPOX CRIMP PIN	
被覆外径 φ1.15 ~ φ1.9 INS. RANGE		DRAWN BY K.TOJO '90/12/25 M.H.KUSHIMA CHK'D BY '91/02/27 APP'D BY '91/02/27 M.ENOMOTO		尺度 SCALE 10 - 1	
角度 ANGLE ±3°	30以上 OVER ±0.3	10以上 30未満 UNDER ±0.25	10未満 UNDER ±0.2	REVISION RECORD	
一般公差 GENERAL TOLERANCES		REVISION RECORD			

THIS DRAWING CONTAINS INFORMATION THAT IS PROPRIETARY TO MOLEX(JAPAN) AND SHOULD NOT BE USED WITHOUT WRITTEN PERMISSION
 本図面は日本モレックス(株)の所有する情報を含むもので 当社の許可なく複製を禁止する。

MXJ-8