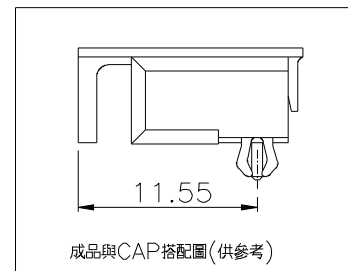
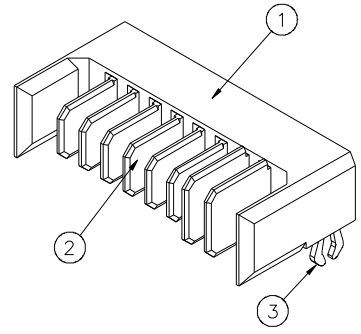
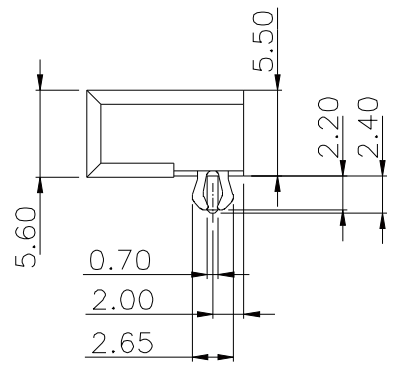
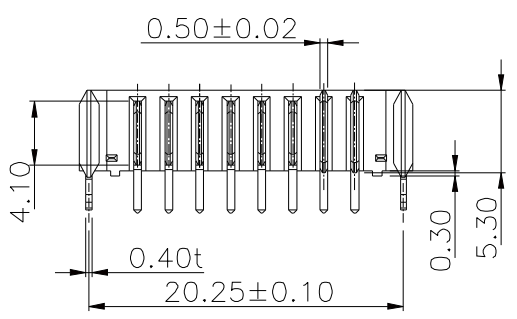
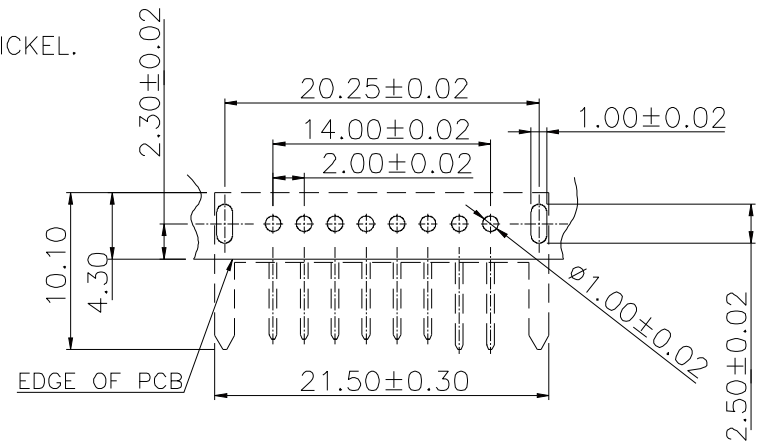
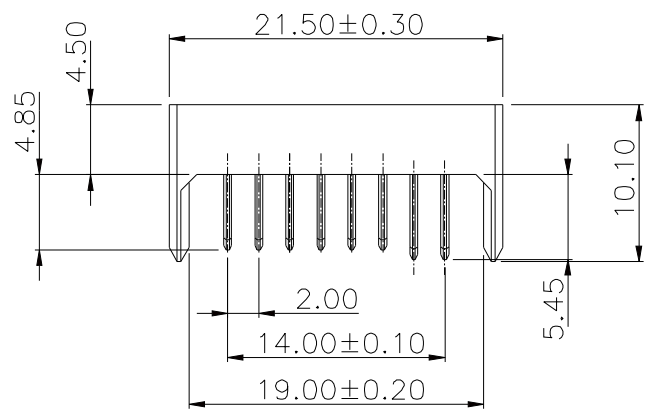




Level-1 Controlled Substances are banned

NOTE(1):
 200275MR008 GX ONZR
 1
 1.PLATING
 G1-5u" GOLD OVER NICKEL.
 G2-GOLD FLASH OVER 30u" MIN NICKEL.
 G3-10u" GOLD OVER NICKEL.
 G4-15u" GOLD OVER NICKEL.
 G5-30u" GOLD OVER NICKEL.

RECOMMENDED P.C.B LAYOUT (COMPONENT SIDE)
 P.C.B THICKNESS=1.20mm
 WITH LOCKING FUNCTION



3	FORK	COPPER ALLOY	—	TIN PLATED
2	TERMINAL	COPPER ALLOY	—	GOLD PLATED
1	PLASTICS	HIGH TEMP PLASTICS	BLACK	UL94V-0
NO. DESCRIPTION		MATERIAL	COLOR	REMARK

SUYIN
CONNECTOR

						Angle	±2°				
						30 ~	±0.50	DRAW	邱清蘭	08'/08/26	
			NEW RELEASE	邱清蘭	張裕奇	10 ~ 30	±0.30	DESIGN	邱清蘭	08'/08/26	
			NEW	邵文浩	許俊賢	~ 10	±0.15	CHECK	程夢麗	08'/08/26	
ECN(DCN) NO.	REV	DATE	DESCRIPTION	CHANGE	APPRO.	GENERAL TOLERANCE UNLESS OTHERWISE NOTED		APPRO.	張裕奇	08'/08/26	

CUSTOMER COPY	TITLE: 2.00mm PITCH BATTERY CONN.		
PART NO.	200275MR008GXONZR		
PRODUCT SPEC.	200275MR/20175A		
FILE NAME.	D	200275MR008GXONZR-C	
SCALE	2:1	UNIT:mm	A4 SHEET: 1 of 2