

**PLEASE CHECK WWW.MOLEX.COM FOR LATEST PART INFORMATION**

**Part Number:** [0981970001](#)  
**Status:** **Active**  
**Overview:** [mox crimp terminals](#)  
**Description:** 2.54mm (.100") Pitch MOX FFC Connector, 3 Circuits, Black

**Documents:**

[Drawing \(PDF\)](#) [RoHS Certificate of Compliance \(PDF\)](#)

**General**

Product Family	Crimp Housings
Series	<a href="#">98197</a>
Overview	<a href="#">mox crimp terminals</a>
Product Name	MOX

**Physical**

Circuits (maximum)	3
Color - Resin	Black
Gender	Female
Glow-Wire Compliant	No
Lock to Mating Part	Yes
Material - Resin	Polyester
Number of Rows	1
Packaging Type	Bag
Panel Mount	No
Pitch - Mating Interface (in)	0.100 In
Pitch - Mating Interface (mm)	2.54 mm
Polarized to Mating Part	Yes
Stackable	No
Temperature Range - Operating	-40°C to +85°C

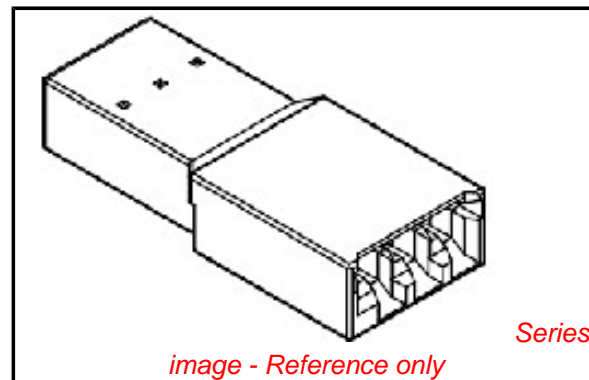
**Electrical**

Current - Maximum per Contact	6A
-------------------------------	----

**Material Info**

**Reference - Drawing Numbers**

Application Specification	AS-98197-001
Product Specification	RPS-98197-002
Sales Drawing	SD-98197-003



**EU RoHS**

**ELV and RoHS Compliant**  
**REACH SVHC Contains SVHC: No**  
**Halogen-Free Status**  
**Not Reviewed**

**China RoHS**



**Need more information on product environmental compliance?**

Email [productcompliance@molex.com](mailto:productcompliance@molex.com)  
 For a multiple part number RoHS Certificate of Compliance, [click here](#)

Please visit the [Contact Us](#) section for any non-product compliance questions.

**Search Parts in this Series**

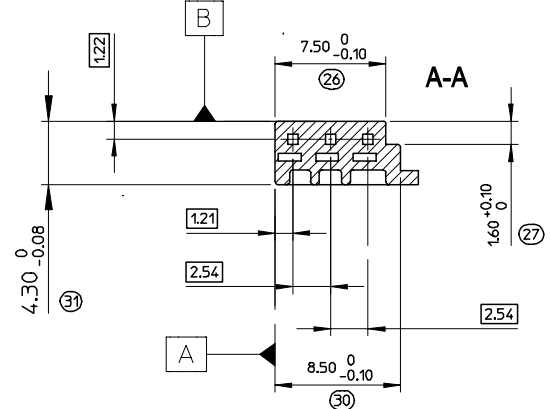
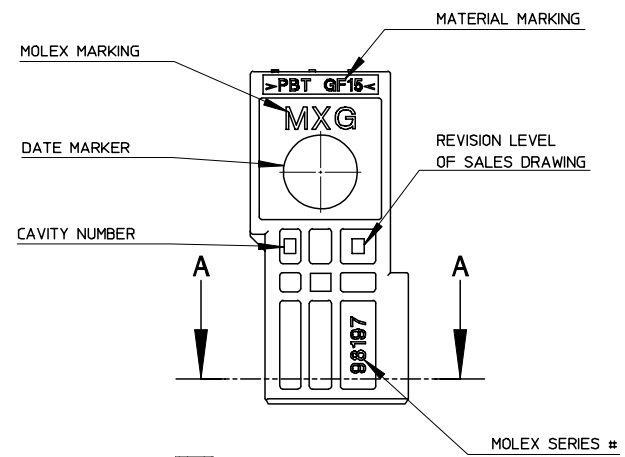
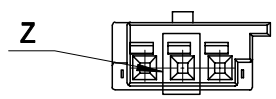
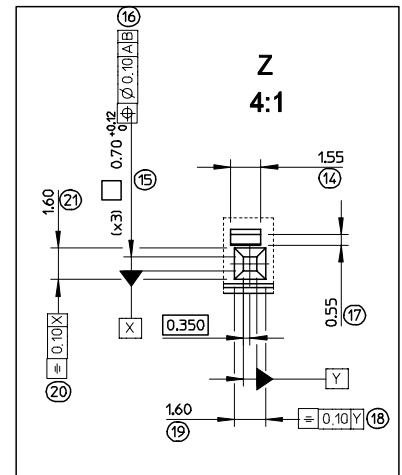
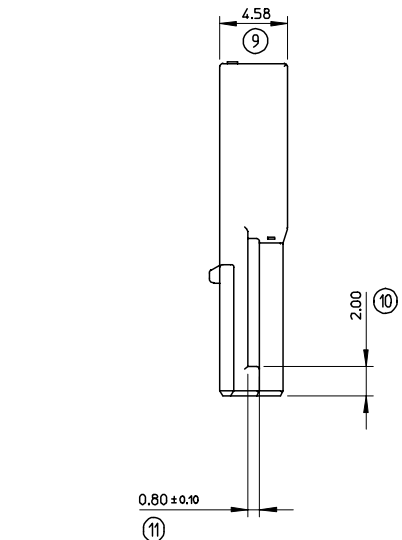
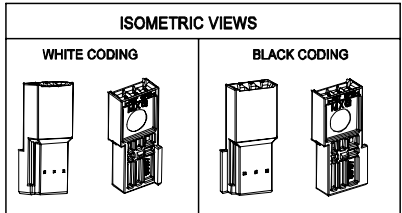
[98197Series](#)

**Mates With**

[Tyco Interface](#)

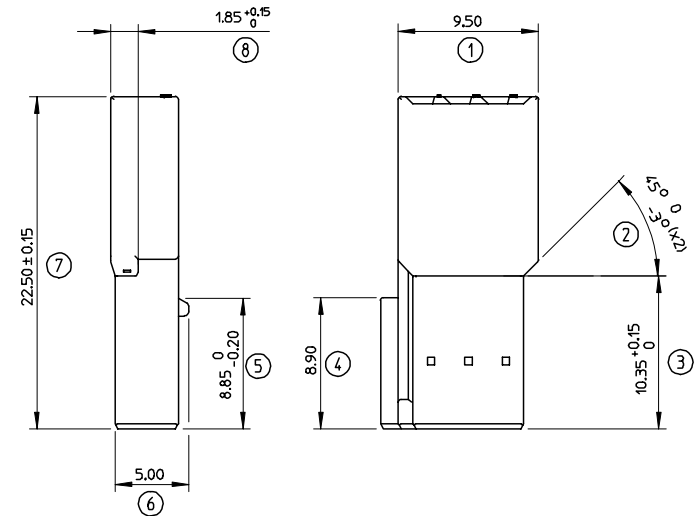
**Use With**

[98194 MOX FFC Terminal](#)



**NOTES:**

- Application Specification: AS-98197-001
- Material: >PBT-GF15<
- Terminals used: 98194



CODINGS			
<b>WHITE</b>	P/N: 0981970002	<b>BLACK</b>	P/N: 0981970001
		CAVITY POSITIONING	

<p>First Release EC NO: G2006-0578 DRWN: GDESBRUERES 2006/06/02 CHKD: MANDRE 2006/06/02 APPR: LSTICKEIR 2006/06/06</p>	GENERAL TOLERANCES (UNLESS SPECIFIED)	DIMENSION STYLE	SCALE	DESIGN UNITS	FIRST ANGLE PROJECTION																										
		MM ONLY	3:1	METRIC																											
	<table border="1"> <thead> <tr> <th></th> <th>mm</th> <th>INCH</th> </tr> </thead> <tbody> <tr> <td>4 PLACES</td> <td>± ---</td> <td>± ---</td> </tr> <tr> <td>3 PLACES</td> <td>± ---</td> <td>± ---</td> </tr> <tr> <td>2 PLACES</td> <td>± 0.05</td> <td>± ---</td> </tr> <tr> <td>1 PLACE</td> <td>± 0.1</td> <td>± ---</td> </tr> </tbody> </table>		mm	INCH	4 PLACES	± ---	± ---	3 PLACES	± ---	± ---	2 PLACES	± 0.05	± ---	1 PLACE	± 0.1	± ---	<table border="1"> <thead> <tr> <th>DRAWN BY</th> <th>DATE</th> </tr> </thead> <tbody> <tr> <td>G. DESBRUERES</td> <td>2006/05/12</td> </tr> <tr> <th>CHECKED BY</th> <th>DATE</th> </tr> <tr> <td>M. ANDRE</td> <td>2006/05/12</td> </tr> <tr> <th>APPROVED BY</th> <th>DATE</th> </tr> <tr> <td>L. STICKEIR</td> <td>2006/05/12</td> </tr> </tbody> </table>	DRAWN BY	DATE	G. DESBRUERES	2006/05/12	CHECKED BY	DATE	M. ANDRE	2006/05/12	APPROVED BY	DATE	L. STICKEIR	2006/05/12	<p>TITLE</p> <p><b>CONNECTOR 3CKT FEMALE HOUSING SALES DRAWING</b></p>	
		mm	INCH																												
4 PLACES	± ---	± ---																													
3 PLACES	± ---	± ---																													
2 PLACES	± 0.05	± ---																													
1 PLACE	± 0.1	± ---																													
DRAWN BY	DATE																														
G. DESBRUERES	2006/05/12																														
CHECKED BY	DATE																														
M. ANDRE	2006/05/12																														
APPROVED BY	DATE																														
L. STICKEIR	2006/05/12																														
	ANGULAR ± 2 °	<p>MOLEX INCORPORATED</p>		<p>DOCUMENT NO.</p> <p>SD-98197-003</p>	<p>SHEET NO.</p> <p>1 OF 1</p>																										
	DRAFT WHERE APPLICABLE MUST REMAIN WITHIN DIMENSIONS	<p>SEE CHART</p>		<p>THIS DRAWING CONTAINS INFORMATION THAT IS PROPRIETARY TO MOLEX INCORPORATED AND SHOULD NOT BE USED WITHOUT WRITTEN PERMISSION</p>																											